

# CHLORIDE

by Signify

## Exit/Emergency

45V series

Architectural LED edge-lit exit sign



Project: \_\_\_\_\_  
 Location: \_\_\_\_\_  
 Cat.No: \_\_\_\_\_  
 Type: \_\_\_\_\_  
 Lamps: \_\_\_\_\_ Qty: \_\_\_\_\_  
 Notes: \_\_\_\_\_

### Ordering guide

Example: 45VL1RCAL

Item Type	Family	Mounting <sup>2</sup>	No. of Faces	Housing Finish <sup>10</sup>	Letter/Panel Color	Directional Indicator	Options
<b>Blank</b> Complete Exit Sign includes: trim, panel and back box, or any surface mounted sign.  <b>T</b> Trim and Panel only <sup>1</sup> (Not an option on surface mounted signs)	<b>45VL ER45VXL</b> LED (AC Only) Emergency LED w/Xtest	<b>Blank</b> Ceiling Wall <sup>3</sup> <b>W</b> End Surface Ceiling Mount <b>E</b> End Surface Ceiling Mount <b>SC</b> Surface Ceiling Mount <b>SW</b> Surface Wall Mount <sup>4</sup> <b>SP</b> Pendant Mount (Pendant assembly ordered separately)	<b>1</b> Single face <b>2</b> Double face	<b>Blank</b> Satin Aluminum <b>W</b> White <b>B</b> Black <b>BZ</b> Dark Bronze	<b>RC</b> Red on Clear <sup>3</sup> <b>RW</b> Red on White <b>RM</b> Red on Mirror <sup>4</sup> <b>GC</b> Green on Clear <sup>3</sup> <b>GW</b> Green on White <b>GM</b> Green on Mirror <sup>4</sup>	<b>Blank</b> No chevrons <b>AL</b> Left <b>AR</b> Right <b>AD</b> Left & Right <b>LR</b> Left or Right or Double Face	<b>2C</b> 2 Circuit Input <sup>5,6</sup> <b>FI</b> Fire Alarm Flashing Interface <sup>6,7</sup> <b>SW</b> Special Wordings <b>SA</b> Salida

### Footnotes

- <sup>1</sup> Back Box (rough-in-section) to be ordered separate only when early installation is required.
- <sup>2</sup> All exits are recessed mounted, unless indicated to be surface mounted. End mount not available in surface mount.
- <sup>3</sup> Single face exit only.
- <sup>4</sup> Mirror background simulates clear background on single or double face.
- <sup>5</sup> Specify 45VL non-battery exit when this option is required.
- <sup>6</sup> When ordering Back Box (rough-in-section) include option indicator in catalog number. Example: BB45VL2C. But, do not designate the "2C" or "FI" option in the Catalog No. when ordering the separate trim & panel item.
- <sup>7</sup> Not available in surface mount.
- <sup>8</sup> Supplied with exit unless "T" prefix is specified.
- <sup>9</sup> Can not be used for surface mount.
- <sup>10</sup> Custom colors are available. RAL# must be provided.
- <sup>11</sup> Consult Signify to confirm whether specific accessories are BAA-compliant.

CHEVRON Indicator	DIRECTION Panel Front	LEGEND Panel Back
AL (single face)	<EXIT	
AR (single face)	EXIT>	
AD (single face)	<EXIT>	
LR (double face)	<EXIT	EXIT>
AD (double face)	<EXIT>	<EXIT>

Catalog No.*	Canopy	Finish
P31	Square	Aluminum
P31B	Square	Black

\* The Pendant Assembly provides 12" between the ceiling and top of housing. For other lengths, add length in inches after Catalog No. (SP - Surface Pendant signs only)

### Back Boxes<sup>6,8,9,11</sup> (When rough-in section ordered separately)

Unit	Catalog Number	Description
45VL	BB45VL	Single or Double Face, Red or Green, AC only
ER45VXL	BBER45VXL	Single or Double Face, Red or Green, Emergency

Cut-out Dimension: 14-5/8" x 2-5/8"

# 45V Architectural LED edge-lit exit sign

---

## codes and standards

- UL listed to Standard 924 & damp location optional
- NFPA 101 (Life Safety Code)
- NEC 70 (National Electric Code) and OSHA Standards
- California Energy Commission

## construction

- Universal mount recessed back box is constructed of 20 gauge zinc-plated steel and contains electronics and battery.
- Exit panel is ultrasonically welded together to eliminate visible hardware.
- Extruded aluminum trim plate on recessed mounted exit signs fit flush on ceiling or wall. Standard finishes are provided in brushed aluminum, white or black. Custom finishes are available.
- Panel is injection molded wedge shape acrylic panel.
- 6" letters with 3/4" stroke.
- Precision molded letters and chevrons (red or green).
- Clear background with optional white or mirror inserts.
- Special Wording available on panel face.

## installation

- The recessed back box (rough-in-section) requires a 14-5/8" x 2-5/8" cut out.
- Back box is universal to accommodate recessed ceiling, wall or end mount applications. Surface mounted exits do not require a recessed back box.
- Includes hanger bars for easy mounting.
- The leads on electronics and battery contained in back box include mating plugs to simplify installation.

## electronics

- Dual input voltage: 120/277VAC
- Standard emergency electronics provide a state-of-the-art self-test/self-diagnostic circuitry.
- Features an exclusive system that aids in correcting wiring mistakes by checking power and wiring before applying a load to system components.
- All emergency units have built-in circuitry protection/low-voltage battery disconnect and transformer isolation.
- Solid state charger, test switch and green LED AC status indicator along with three red fault indicators.
- Power Consumption
  - AC Only: (single or double)  
Red = 2.9 Watts, Green = 3.5 Watts
  - Emergency Only: (single or double)  
Red = 2.9 Watts, Green = 3.5 Watts
- Exits are available with a flashing interface optional feature for connecting to Fire Alarm System (24 VDC signal).
- Two circuit (2C) input is also available on "AC only" exits.

## LED

- The 45VL and ER45VXL exits utilize high lumen output light emitting diodes (LEDs) for greater visibility and uniform illumination. The LEDs are independently wired with multiple circuits.

## battery

- Maintenance free, sealed nickel cadmium battery.
- Operating temperature range of -20°C to 40°C (-4°F to 104°F).
- Provides a minimum of 90 minutes of emergency illumination.

## warranty

- Five year warranty on unit.

---

## Xtest

Xtest self-diagnostic/self-testing management system is standard.

- Multiple LED indicators flash warnings when attention is needed
- Micro-controller verifies all systems operation
- Exceeds all UL and NFPA requirements for self-testing.
- Full open circuit testing every hour.

## Testing Specifications

### Automatic Test:

The system charger and lamps are continually being controlled via pre-determined parameters specific to each model configuration, automatically. The battery is controlled via a true open circuit test each hour after initial installation. Every thirty days the System illuminates lamps under load for 30 minutes, simulating a power outage with a true charger off condition, without affecting long-term battery life. This is above and beyond the requirements of the National Electric Code and/or the National Fire Protection Association. This gives you unequalled control and confidence, knowing you are meeting self-test code requirements each and every month.

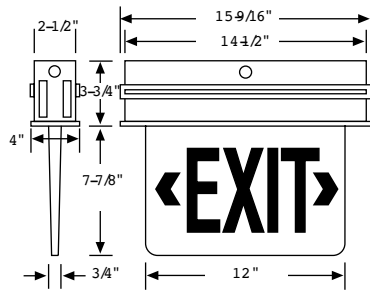
### Manual Test:

A manual test switch allows for the system to perform the following tests any time:  
Press Button:  
Once - 5 second, charger off, no load  
Twice - 60 second, charger off, lamps on  
Three - 90 minute, charger off, lamps on  
6 second hold - fully reinitializes microprocessor  
Pressing once during any test will cancel/ abort testing.

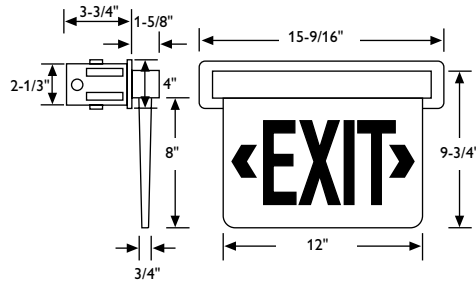
# 45V Architectural LED edge-lit exit sign

## Dimensions

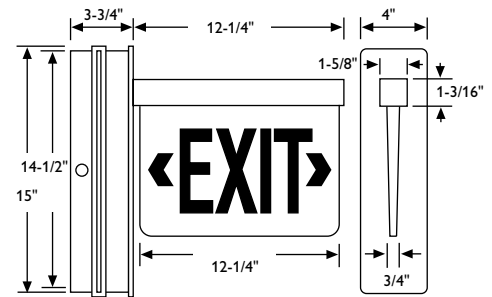
Recessed Ceiling



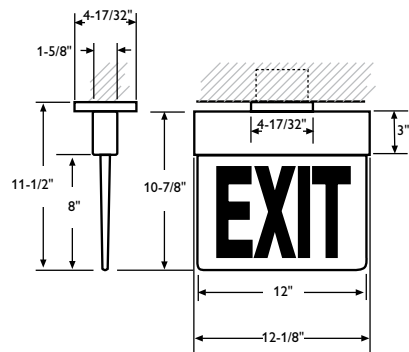
Recessed Wall



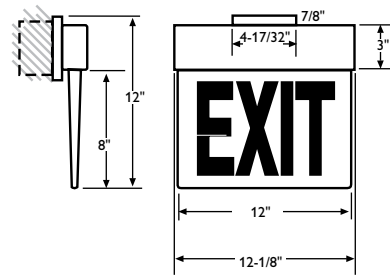
Recessed End



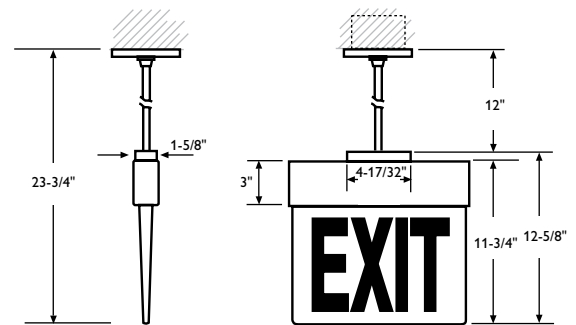
Surface Ceiling



Surface Wall



Surface Pendant



## Buy American Act of 1933 (BAA):

This product is manufactured in one of our US factories and, as of the date of this document, this product was considered a commercially available off-the-shelf (COTS) item meeting the requirements of the BAA. This BAA designation hereunder does not address (i) the applicability of, or availability of a waiver under, the Trade Agreements Act, or (ii) the "Buy America" domestic content requirements imposed on states, localities, and other non-federal entities as a condition of receiving funds administered by the Department of Transportation or other federal agencies. Prior to ordering, please visit [www.signify.com/baa](http://www.signify.com/baa) to view a current list of BAA-compliant products to confirm this product's current compliance.



© 2021 Signify Holding. All rights reserved. The information provided herein is subject to change, without notice. Signify does not give any representation or warranty as to the accuracy or completeness of the information included herein and shall not be liable for any action in reliance thereon. The information presented in this document is not intended as any commercial offer and does not form part of any quotation or contract, unless otherwise agreed by Signify.

Signify North America Corporation  
200 Franklin Square Drive,  
Somerset, NJ 08873  
Telephone 855-486-2216

Signify Canada Ltd.  
281 Hillmount Road,  
Markham, ON, Canada L6C 2S3  
Telephone 800-668-9008

All trademarks are owned by Signify Holding or their respective owners.