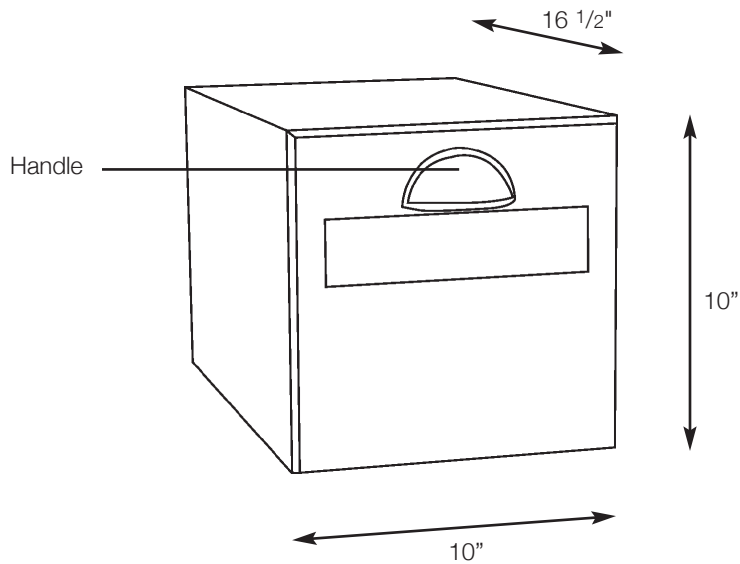


# SPJ443-04

Mailbox



**MODEL:** SPJ443-04-K (Key)  
SPJ443-04H (Handle)  
**MATERIAL :** Solid Brass or Copper  
**FINISH :** Specify  
**MOUNTING :** Recessed Pilaster Mailbox



DRAWN BY: MMC

BASE DESIGN: SPJ

DATE: 01-10-10

**SPJ LIGHTING INC.**

2107 Chico Avenue  
South El Monte, CA 91733  
(800) 469-3637 FAX: (626) 433-4839