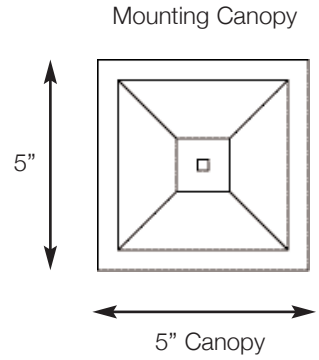
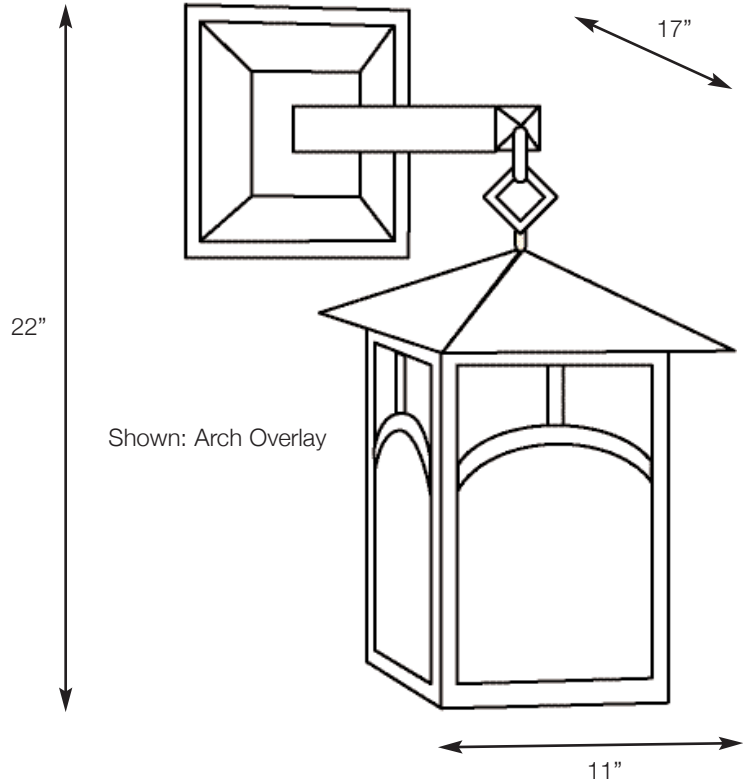


SPJ39-04C

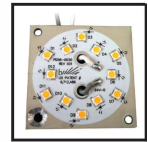
Craftsman Wall / Arm Lantern



Unlimited LED Lumen Packages & Color Temperatures Available!



SPJ-A19
12V
2W or 4W



FB-MP1000
120V
10W
1000 LUMENS
WARM DIMMING

MODEL:	SPJ39-04C
MATERIAL :	Solid Brass
FINISH :	Specify
GLASS :	Specify
ELECTRICAL :	120v
SOCKET :	Medium Base
LAMP :	100w Max.
FLUORESCENT OPTIONS :	PL-13W, PLT-26W, PLT-32W, PLT-42W
MOUNTING :	Wall Arm (Straight)
OVERLAY :	Specify



DRAWN BY: MMC

BASE DESIGN: SPJ

DATE: 01-10-10

SPJ LIGHTING INC.

2107 Chico Avenue
South El Monte, CA 91733
(800) 469-3637 FAX: (626) 433-4839