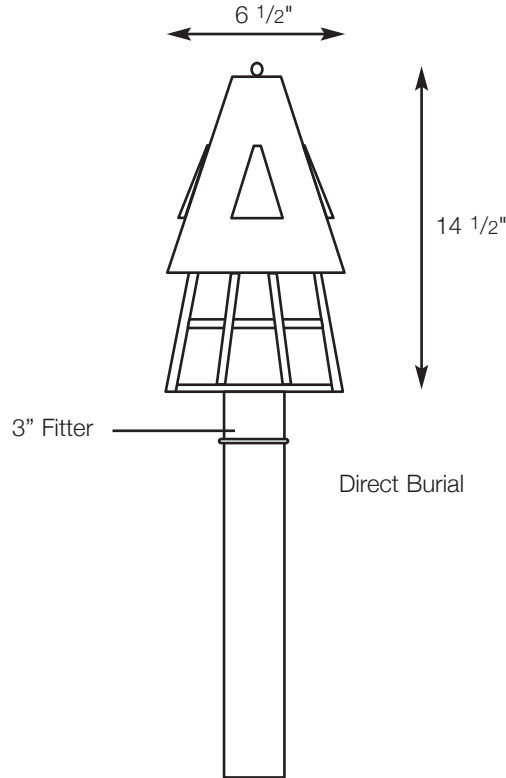


# SPJ28-03A

Post Lantern

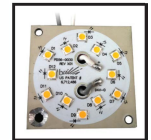


*3" Diameter Solid  
Brass Posts  
\*Post Not Included*

*Unlimited LED Lumen  
Packages & Color  
Temperatures Available!*



SPJ-A19  
12V  
2W or 4W



FB-MP1000  
120V  
10W  
1000 LUMENS  
WARM DIMMING

<b>MODEL:</b>	SPJ28-03A
<b>MATERIAL :</b>	Solid Brass
<b>FINISH :</b>	Specify
<b>GLASS :</b>	Specify
<b>ELECTRICAL :</b>	12v or 120v
<b>SOCKET :</b>	Medium Base
<b>LAMP :</b>	Specify
<b>FLUORESCENT OPTIONS :</b>	PL-13W, PLT-26W, PLT-32W, PLT-42W
<b>MOUNTING :</b>	12" - 18" Below Grade



DRAWN BY: MMC

BASE DESIGN: SPJ

DATE: 01-10-10

## SPJ LIGHTING INC.

2107 Chico Avenue  
South El Monte, CA 91733  
(800) 469-3637 FAX: (626) 433-4839