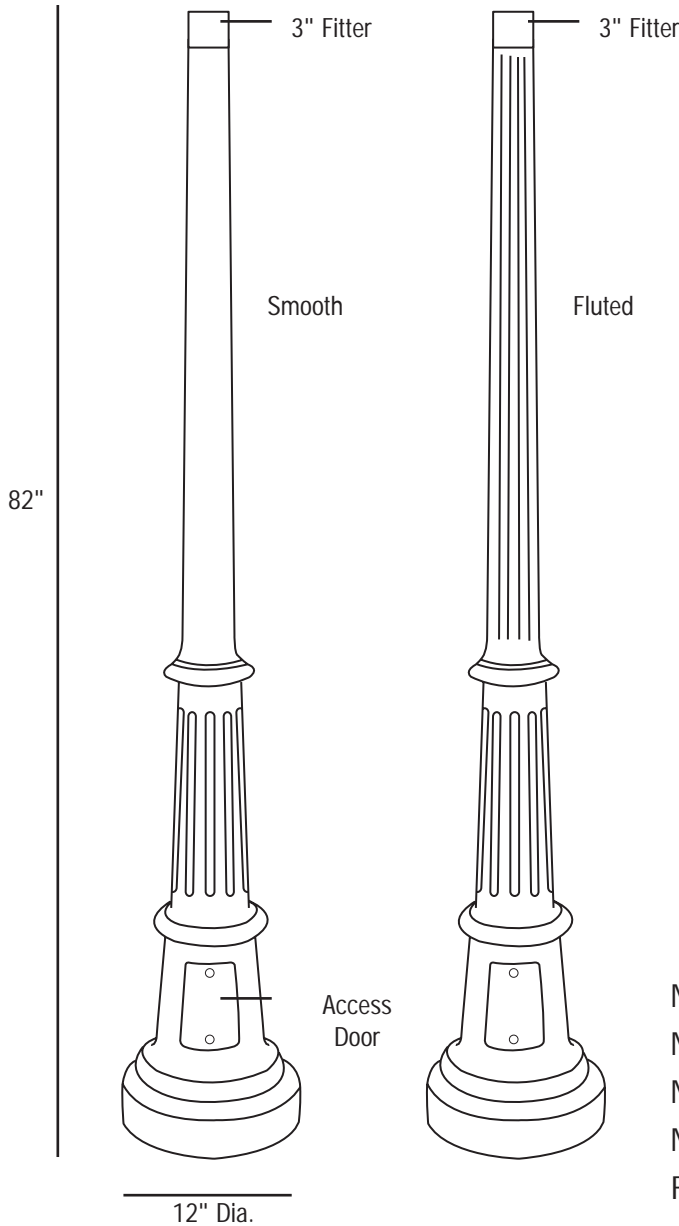
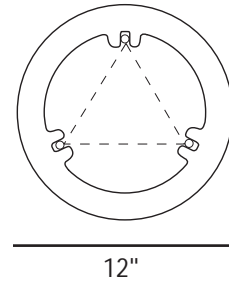


SPJ26-01A

SPJ26-01B



Anchor Bolt
Pattern



MODEL: SPJ26-01A-Smooth Shaft
 MODEL: SPJ26-01B-Fluted Shaft
 MOUNTING : (3) Anchor Bolts
 MATERIAL : Cast Aluminum
 FOOTING : Concrete 16" Diameter
 Recommended

SCALE:

DRAWN BY: MMC

BASE DESIGN: SPJ

DATE: 8-07-02

SPJ LIGHTING INC.

2107 Chico Avenue
 South El Monte, CA 91733
 (800) 469-3637 FAX: (626) 433-4839