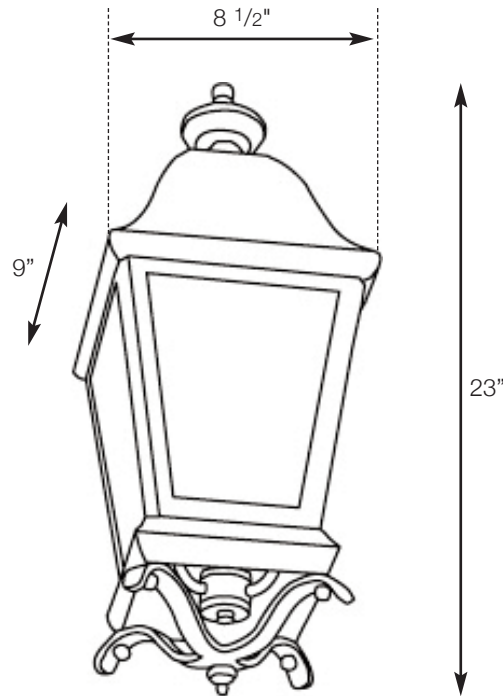


# SPJ46-02B

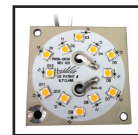
Lantern



*Unlimited LED Lumen Packages & Color Temperatures Available!*



SPJ-2W-CB-C  
2W  
12V or 120V



FB-MP1000  
120V  
10W  
1000 LUMENS  
WARM DIMMING

**MODEL:** SPJ46-02B  
**MATERIAL :** Solid Brass  
**FINISH :** Specify  
**GLASS :** Specify  
**ELECTRICAL :** 120v  
**SOCKET :** (3) Light Candelabra  
**LAMP :** Specify  
**FLUORESCENT OPTIONS :** PL-13W, PLT-26W, PLT-32W, PLT-42W  
**MOUNTING :** Wall Flush



DRAWN BY: MMC

BASE DESIGN: SPJ

DATE: 01-10-10

## SPJ LIGHTING INC.

2107 Chico Avenue  
 South El Monte, CA 91733  
 (800) 469-3637 FAX: (626) 433-4839