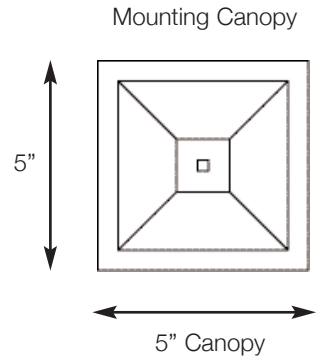
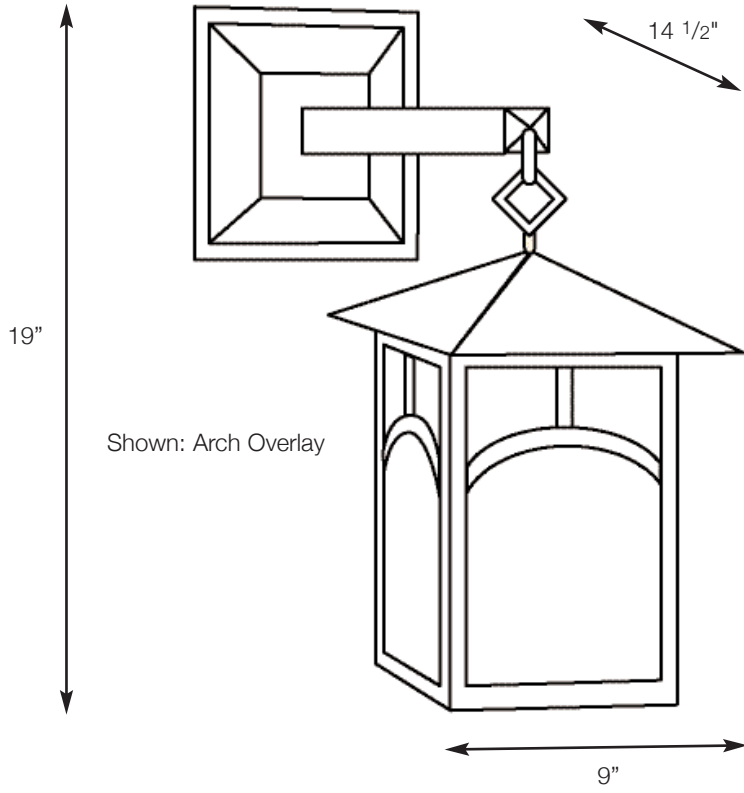


# SPJ39-04B

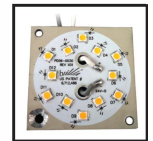
Craftsman Wall / Arm Lantern



*Unlimited LED Lumen Packages & Color Temperatures Available!*



SPJ-A19  
12V  
2W or 4W



FB-MP1000  
120V  
10W  
1000 LUMENS  
WARM DIMMING

<b>MODEL :</b>	SPJ39-04B
<b>MATERIAL :</b>	Solid Brass
<b>FINISH :</b>	Specify
<b>GLASS :</b>	Specify
<b>ELECTRICAL :</b>	120v
<b>SOCKET :</b>	Medium Base
<b>LAMP :</b>	100w Max.
<b>FLUORESCENT OPTIONS :</b>	PL-13W, PLT-26W, PLT-32W, PLT-42W
<b>MOUNTING :</b>	Wall Arm (Straight)
<b>OVERLAY :</b>	Specify



DRAWN BY: MMC

BASE DESIGN: SPJ

DATE: 01-10-10

## SPJ LIGHTING INC.

2107 Chico Avenue  
South El Monte, CA 91733  
(800) 469-3637 FAX: (626) 433-4839