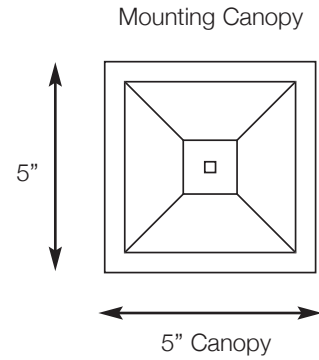
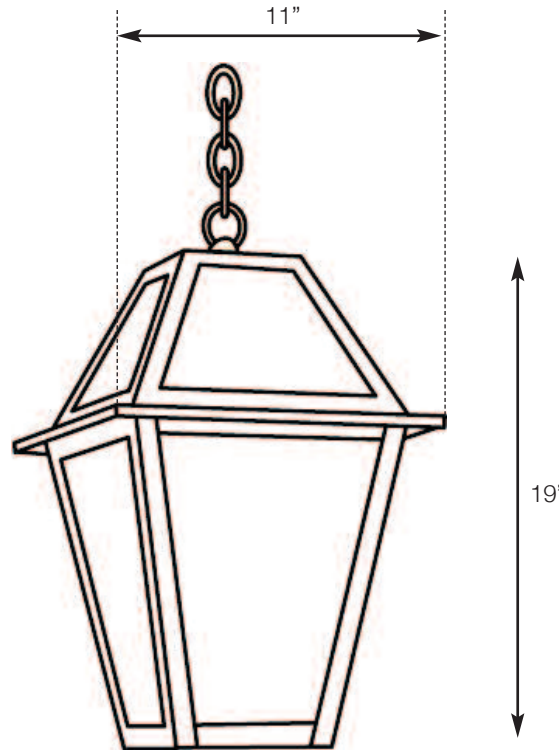


# SPJ35-03B

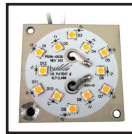
Lantern



*Unlimited LED Lumen Packages & Color Temperatures Available!*



SPJ-2W-CB-C  
2W  
12V or 120V



FB-MP1000  
120V  
10W  
1000 LUMENS  
WARM DIMMING



- MODEL:** SPJ35-03B
- MATERIAL :** Solid Brass
- FINISH :** Specify
- GLASS :** Specify
- ELECTRICAL :** 120v
- SOCKET :** (3) Light Candelabra
- LAMP :** Specify
- FLUORESCENT OPTIONS :** PL-13W, PLT-26W, PLT-32W, PLT-42W
- MOUNTING :** Pendant Mount



DRAWN BY: MMC

BASE DESIGN: SPJ

DATE: 01-10-10

## SPJ LIGHTING INC.

2107 Chico Avenue  
South El Monte, CA 91733  
(800) 469-3637 FAX: (626) 433-4839