

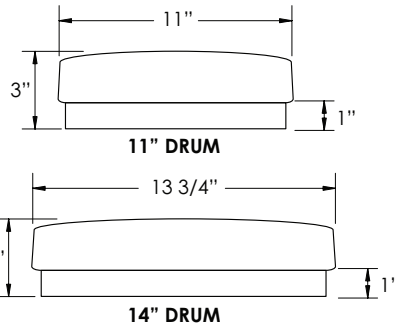
CLOUD CEILING FIXTURES

SPECIFICATIONS

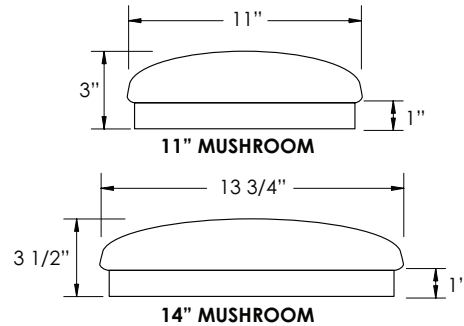
- 120-277V INPUT VOLTAGE, 50/60Hz
- CONSTANT CURRENT AT 700 MILLIAMPS
- DRIVER UL CLASS 2, POWER FACTOR > .90
- OPERATING TEMPERATURE -18°C (0°F) TO 40°C (104°F) (25°C NOMINAL)
- ESTIMATED 50,000 HRS L₇₀*
- THERMALLY PROTECTED LED ARRAY
- WHITE POWDERCOATED ALUMINUM BASE AND ACRYLIC DIFFUSER
- CEILING MOUNT ONLY
- UL/CUL LISTED FOR DAMP LOCATION
- STANDARD PACK QTY: 8 (11" MODEL) or 6 (14" MODEL)



**SPJ311
SPJ314
DRUM**



**SPJ321
SPJ324
MUSHROOM**



EXAMPLE # **SPJ311-L1300W-WW**

STYLE #	SOURCE/WATTAGE	COLOR TEMP	BODY	LENS	OPTION
SPJ311 = 11"DRUM SPJ321 = 11"MUSHROOM	L1300W = 6 CREE LED ARRAY (14W) 17W POWER INPUT 1278 LUMENS 75 LUMENS PER WATT**	3000K CRI = 80 (TYP)	W = WHITE	W = WHITE	O = OCCUPANCY SENSOR
SPJ314 = 14"DRUM SPJ324 = 14"MUSHROOM	L1700W = 8 CREE LED ARRAY (18W) 22W POWER INPUT 1704 LUMENS 77 LUMENS PER WATT**				120V Occupancy Sensor standard 277V available on special order

L1300W LED REPLACEMENT PARTS
L12W-DC-700-06-R = 6 CREE LED ARRAY
IG1200-DMV-1 = LED DRIVER

L1700W LED REPLACEMENT PARTS
L18W-DC-700-08-R = 8 CREE LED ARRAY
IG1800-DMV-1 = LED DRIVER

* DATA PER LM80/TM21 @ 1000MA AVAILABLE UPON REQUEST

** ESTIMATED FOR LED SOURCE

For more information regarding SPJ Lighting's LED Fixtures and Custom Packaging please contact our sales department at **800-469-3637** or visit www.spjlighting.com.com



Specifications, design & components subject to change without notice. Printed in U.S.A. © 2012 SPJ Lighting Inc.

1203.1