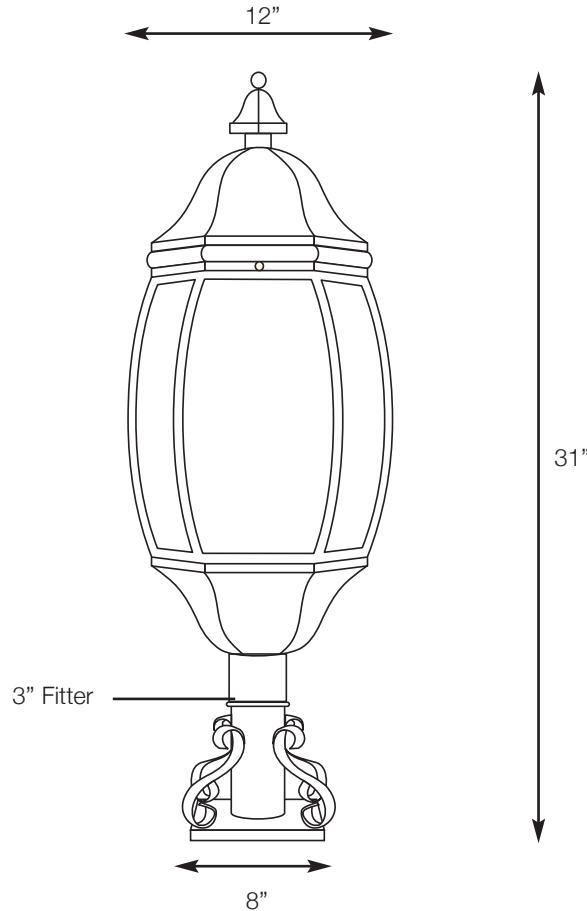


**SPJ27-02B**

Post Lantern



**MODEL:** SPJ27-02B  
**MATERIAL :** Solid Brass  
**FINISH :** Specify  
**GLASS :** Bent / Clear or Frosted  
**ELECTRICAL :** 12v or 120v  
**SOCKET :** (3) Light Candelabra  
**LAMP :** Specify  
**FLUORESCENT OPTIONS :** PL-13W, PLT-26W, PLT-32W, PLT-42W  
**MOUNTING :** Column or Wall



DRAWN BY: MMC

BASE DESIGN: SPJ

DATE: 01-10-10

**SPJ LIGHTING INC.**

2107 Chico Avenue  
 South El Monte, CA 91733  
 (800) 469-3637 FAX: (626) 433-4839