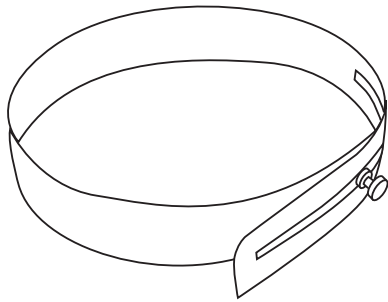


SPJ19-19

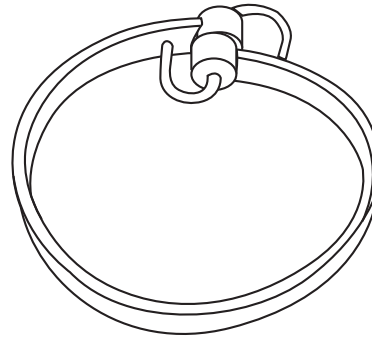
Adjustable Tree Strap
Brass



Model: SPJ19-19
 SPJ19-19 - 36"L
 SPJ19-19 - 48"L
 SPJ19-19 - 60"L
 SPJ19-19 - 72"L

SPJ19-09

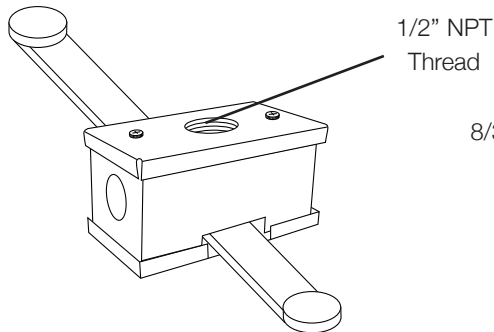
Tree Strap



Model: SPJ19-09
 Strap Only
 Specify Length

SPJ19-07

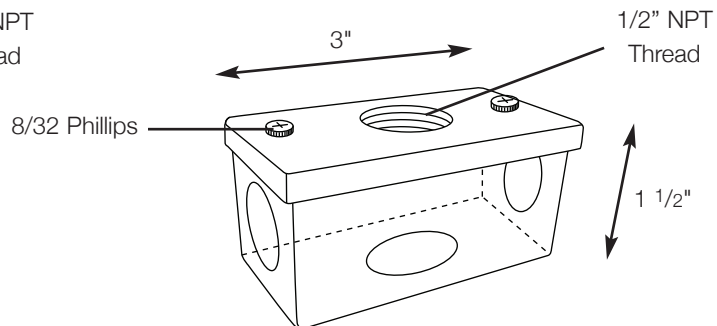
Mini Splice Box w/strap



MODEL: SPJ19-07
MATERIAL : Solid Brass
STRAP LENGTHS: 15", 22", 31", 42"

SPJ19-08

Mini Splice Box



MODEL: SPJ19-08
MATERIAL : Solid Brass

DRAWN BY: MMC

BASE DESIGN: SPJ

DATE: 01-10-10

SPJ LIGHTING INC.

2107 Chico Avenue
 South El Monte, CA 91733
 (800) 469-3637 FAX: (626) 433-4839