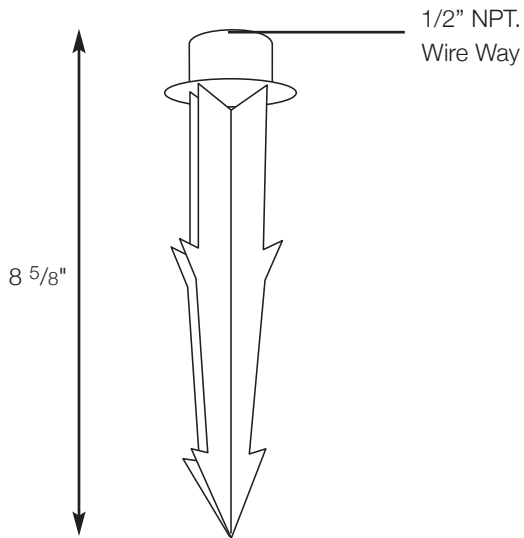


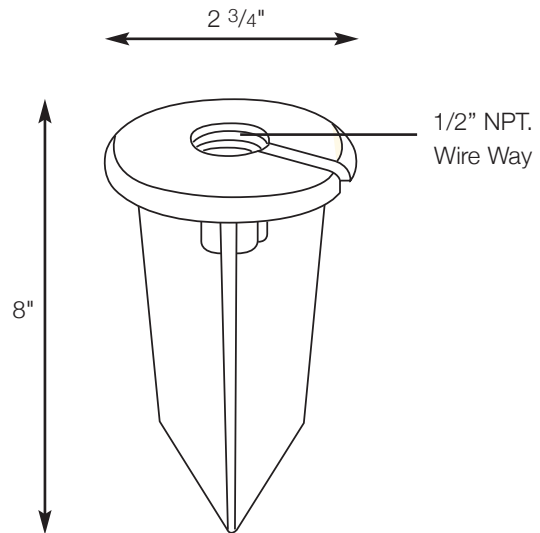
SPJ19-02

Dual Fin Spike



SPJ-EZ SPIKE

Spike



MODEL: SPJ19-02
Dual Fin Spike
MATERIAL : High heat injection
molded plastic

MODEL: SPJ-EZ SPIKE
DIRECTIONS : Also: Use 6" x 6"
Plywood. Place over top of EZ-SPIKE.
Using a Rubber Mallet hammer into
ground to grade level. Make sure to level
off so fixture will stand Square to grade.

DRAWN BY: MMC

BASE DESIGN: SPJ

DATE: 01-10-10

SPJ LIGHTING INC.

2107 Chico Avenue
South El Monte, CA 91733
(800) 469-3637 FAX: (626) 433-4839