



# Forever Bright

## SPECIFICATION FEATURES



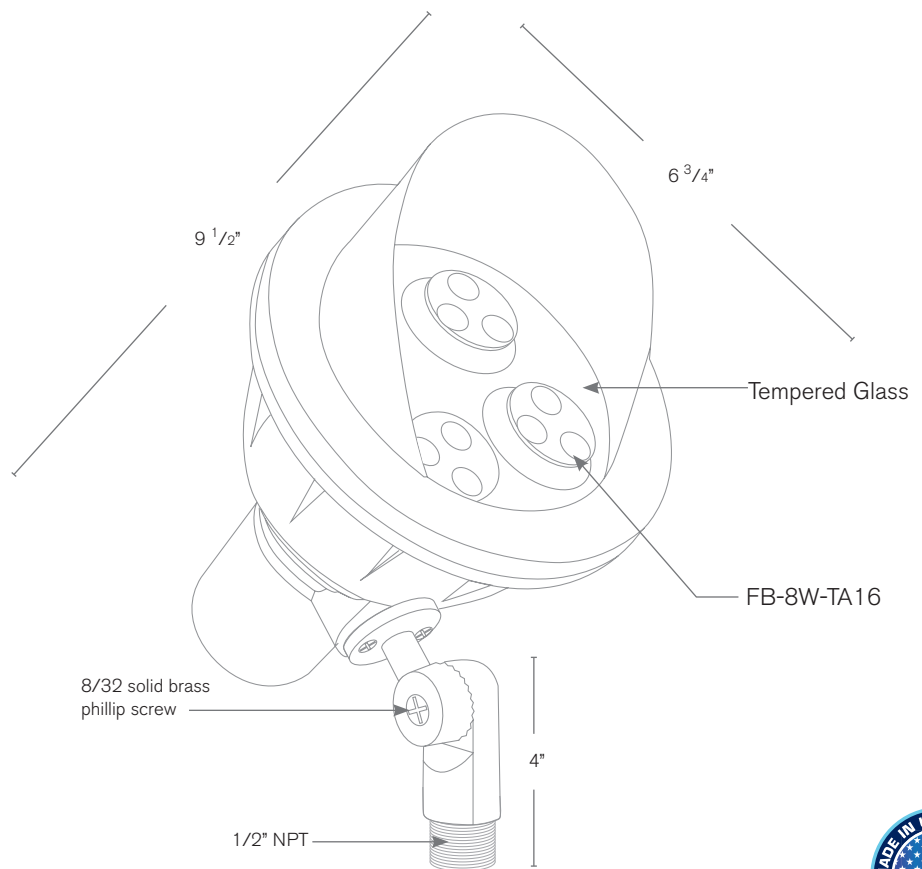
Model: **SPJ14-24**  
Finish: Matte Bronze

- Finish:** Our naturally etched finishes will withstand the test of time. All finishes are individually treated insuring consistency. Our meticulous application results in a fixture that truly becomes "a one of a kind".
- Electrical:** Available in 12-15V or 120V
- Labels:** ETL Standard Wet Label  
C-ETL

### Directional Light

### DESCRIPTION

- Model#:** SPJ14-24
- Material:** Solid Brass
- Electrical:** 12-15V, 120V
- Engine:** (3) FB-8W-CYL-TA16
- Lumens:** 1740
- Color Temp:** 2700K
- Mounting:** 1/2" NPT.
- LED:** Nichia



Wet Listed



### ORDERING INFORMATION

Model#	Finishes	Wattage	Lumens	Color Temp.	Electrical
<b>SPJ14-24</b>	<b>MBR</b>	<b>24W</b>	<b>1740</b>	<b>2700K</b>	<b>12-15V</b>

- |                    |                     |     |      |       |        |
|--------------------|---------------------|-----|------|-------|--------|
| V = Verde          | GM = Gun Metal      | 24W | 1740 | 2700K | 12-15V |
| M = Moss           | B = Black           |     |      | 4000K | 120V   |
| AG = Aged Brass    | R = Rusty           |     |      | 6500K |        |
| MBR = Matte Bronze | PVDP = PVD Polished |     |      |       |        |
| SB = Satin Brass   | PVDS = PVD Satin    |     |      |       |        |