



MODEL: SPJ13-300
MATERIAL: Solid Brass
FINISH SHOWN: Matte Bronze
ELECTRICAL: 8-15V, 12V-15V
ENGINE: FB-3W-CYL-TA16
LUMENS: 200
COLOR TEMP: 2700K
MOUNTING: In Ground
KEY SPEC: Clear tempered refractor lens w/gasket
LED: Nichia

FINISHES

- Matte Bronze (MBR)
- Verde (V)
- Moss (M)
- Black (B)
- Rusty (R)
- Satin Brass (SB)
- Aged Brass (AG)
- Raw Copper (RC)
- Natural Copper (NC)

PVD PREMIUM

- PVD Polished (PVDP)
- PVD Satin (PVDS)
- PVD Graphite (PVDG)
- PVD Bronze (PVDBZ)
- PVD Black (PVDBL)

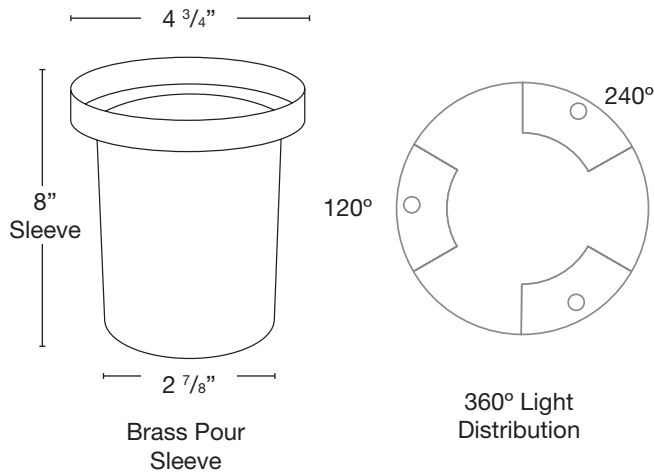
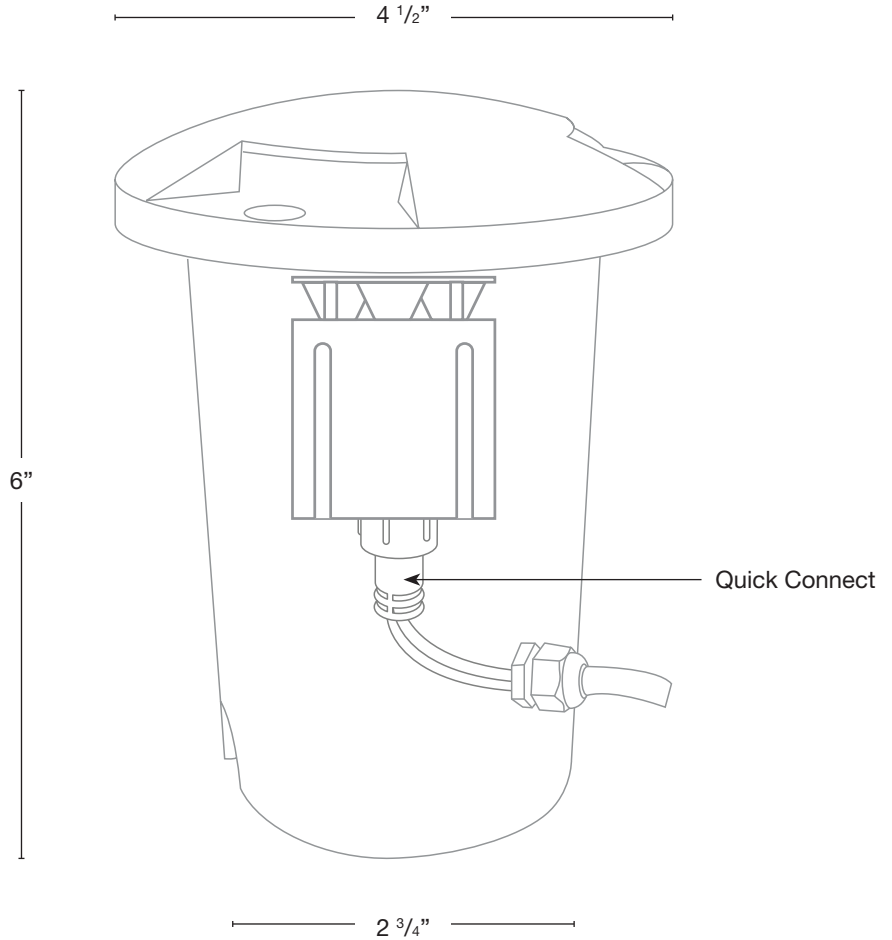
WATTAGE	LUMENS
<input type="checkbox"/> 3W	200
<input type="checkbox"/> 6W	300
<input type="checkbox"/> 8W	580

COLOR TEMPERATURE

- 2200K
- 2700K
- 3000K
- 4000K
- 5000K
- 6500K
- RGBW

ELECTRICAL

- 8-15V
- 12V-15V



Wet Listed



Ordering Example

Customer Approval

Date

SPJ13-300-MBR-3W-27K-8-15V