



Forever Bright

SPECIFICATION FEATURES



Model: **SPJ12-01B-CB4-4**
Finish: Verde

- Finish:** Our naturally etched finishes will withstand the test of time. All finishes are individually treated insuring consistency. Our meticulous application results in a fixture that truly becomes "a one of a kind".
- Electrical:** Available in 12V or 120V
- Labels:** ETL Standard Wet Label
C-ETL

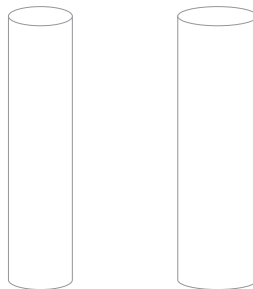
**Higher Lumen Packages Available
Consult Customer Service**

Solid Brass Pagoda

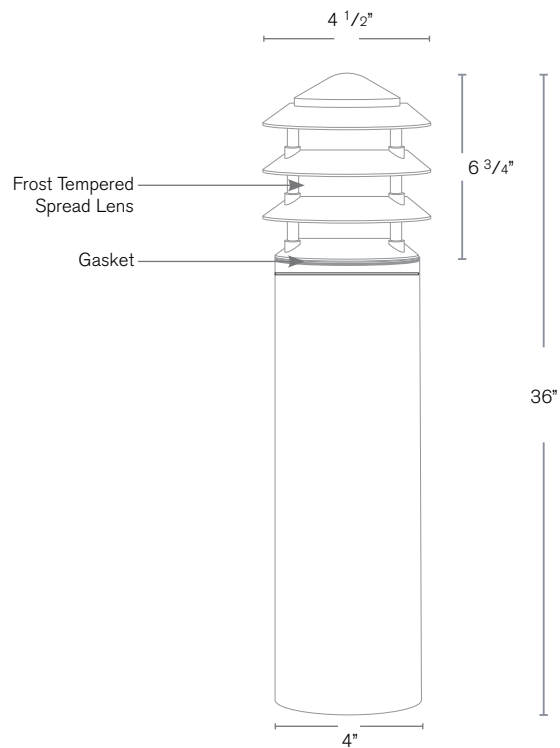
DESCRIPTION

- Model#:** SPJ12-01B-CB4-4 (4" POST)
- Model#:** SPJ12-01B-CB4-3 (3" POST)
- Material:** Solid Brass
- Electrical:** 12V or 120V
- Engine:** 4 Nichia Strip
- Lumens:** Up to 3200
- Color Temp:** 2700k
- Mounting:** Direct Burial or Anchor Mount
- LED:** Nichia

Post Options:



3" Tubing 4" Tubing
Specify
Diameter & Height



Wet Listed



ORDERING INFORMATION

Model#	Finishes	Wattage	Lumens	Color Temp.	Electrical
SPJ12-01B-CB4-4	V			2700K	12V

- V = Verde GM = Gun Metal
- M = Moss B = Black
- AG = Aged Brass R = Rusty
- MBR = Matte Bronze PVDP = PVD Polished
- RC = Raw Copper PVDS = PVD Satin

- 2700K
- 4000K
- 5000K
- 12V
- 120V