



Forever Bright

SPECIFICATION FEATURES



Model: **SPJ-PM-4**

Finish: Black

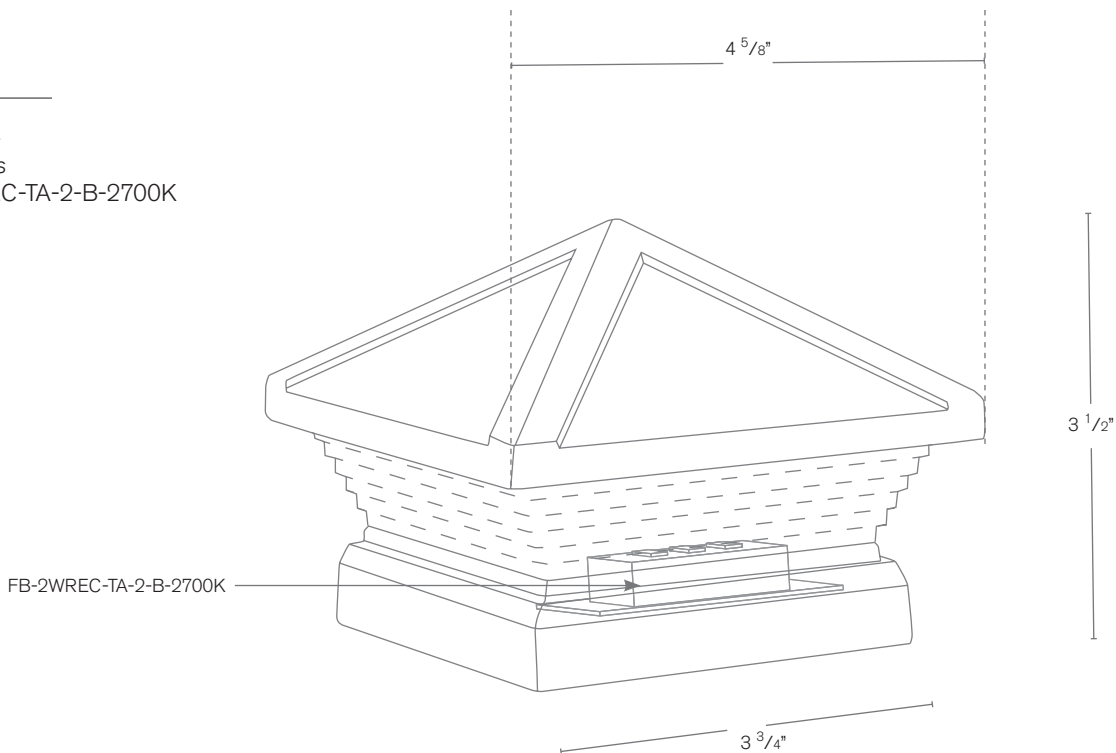
Finish: Our naturally etched finishes will withstand the test of time. All finishes are individually treated insuring consistency. Our meticulous application results in a fixture that truly becomes "a one of a kind".

Electrical: Available in 9-15V

Labels: ETL Standard Wet Label
C-ETL

DESCRIPTION

Model#: SPJ-PM-4
Material: Cast Brass
Engine: FB-2WREC-TA-2-B-2700K
Color Temp: 2700k
Electrical: 9-15V
Lumens: 125
LED: Nichia



Wet Listed



ORDERING INFORMATION

Model#	Finishes	Wattage	Lumens	Color Temp.	Electrical
SPJ-PM-4	B	2W	125	2700K	9-15V

V = Verde	GM = Gun Metal	2W	125	2700K	9-15V
M = Moss	B = Black			4000K	
AB = Aged Brass	R = Rusty			6500K	
MBR = Matte Bronze	PVDP = PVD Polished				
NC = Natural Copper	PVDS = PVD Satin				

WWW.SPJLIGHTING.COM