



MODEL: **SPJ-NS-PM6-ST**
 MATERIAL: **Marine Grade Solid Brass**
 FINISH SHOWN: **PVD Satin**
 GLASS: **Frosted**
 ELECTRICAL: **120V**
 SOCKET: **Medium Base**

LED OPTION

Integrated FB-RD8 Board & Driver
 (Standard)

WATTAGE	LUMENS
<input type="checkbox"/> 8W	1000

Custom lumen packages are available upon request

COLOR TEMPERATURE

- 2200K 5000K
- 2700K 6500K
- 3000K RGBW-PLC
- 4000K WARM DIMMING

Custom options are available

ELECTRICAL

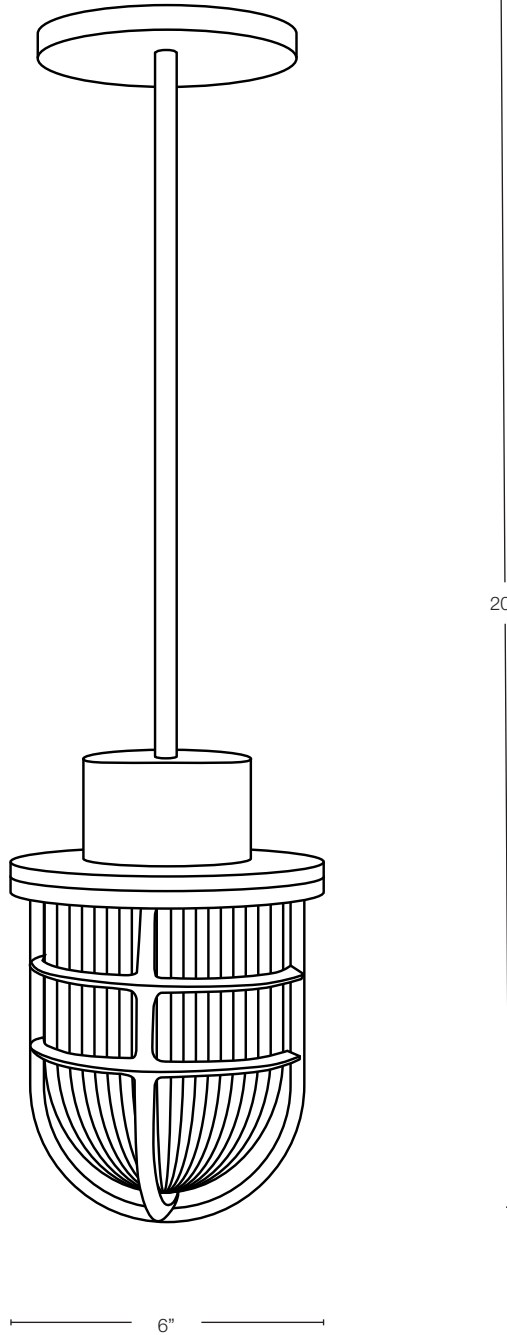
- 12V 120V 120V-277V

FINISHES

- Matte Bronze (MBR)
- Verde (V)
- Moss (M)
- Black (B)
- Rusty (R)
- Satin Brass (SB)
- Aged Brass (AG)
- Raw Copper (RC)
- Natural Copper (NC)

PVD PREMIUM

- PVD Polished (PVDP)
- PVD Satin (PVDS)
- PVD Graphite (PVDG)
- PVD Bronze (PVDBZ)
- PVD Black (PVDBL)



Wet Listed



Ordering Example

Customer Approval

Date

SPJ-NS-PM6-ST-PVDS-_____-120V