



Model: **SPJ-LSL-36**

Forever Bright

SPJ LIGHTING Inc.

ARCHITECTURAL LANDSCAPE LIGHTING

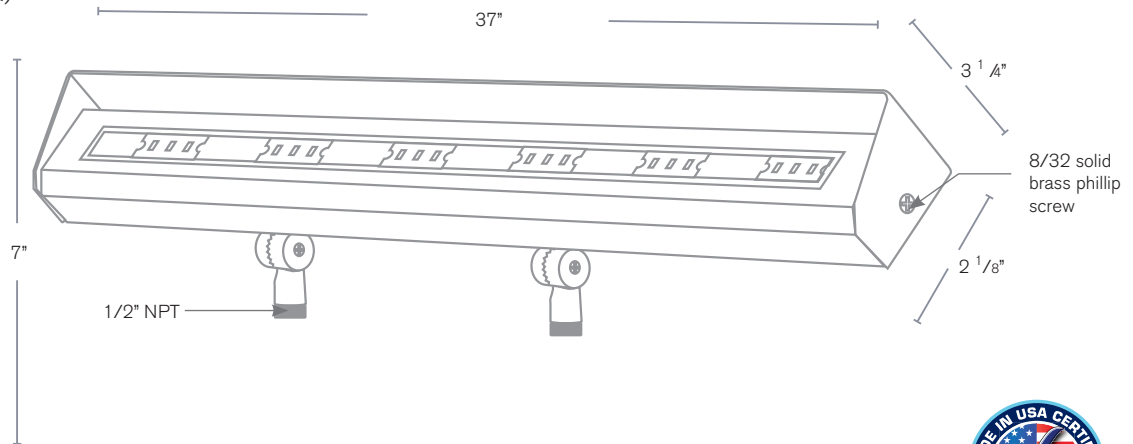
SPECIFICATION FEATURES

- Finish:** Our naturally etched finishes will withstand the test of time. All finishes are individually treated insuring consistency. Our meticulous application results in a fixture that truly becomes "a one of a kind".
- Electrical:** Available in 9-15V or 120V
- Labels:** ETL Standard Wet Label
C-ETL

Wall Washer

DESCRIPTION

- Model#:** SPJ-LSL-36
- Material:** Solid Brass Matte
- Finish:** Bronze
- Electrical:** 9-15V, 120V 12"
- Engine:** Linear
- Color Temp:** 27,3,35,4,5K, AMBER
- Mounting:** 1/2" NPT.
- Shroud:** SPJ-SH12 (included)



Wet Listed

Up light Only

Must specify for downlight and Consult factory



ORDERING INFORMATION

WWW.SPJLIGHTING.COM

Model#	Finishes	Wattage	Lumens	Color Temp.	Electrical
SPJ-LSL-36		12W			
	Standard Finishes MBR: Matte Bronze SB: Satin Brass Premium Finishes V: Verde M: Moss AB: Aged Brass B: Etched Black R: Rusty	12W		2700K 3000K 3500K 4000K 5000K 6500K AMBER	9-15V 120V
	PVD PREMIUM PVDP: Polished PVD Silver PVDS Satin PVD Silver Bronze, Graphite, Black Call SPJ				