

### ELECTRONIC SPECIFICATIONS

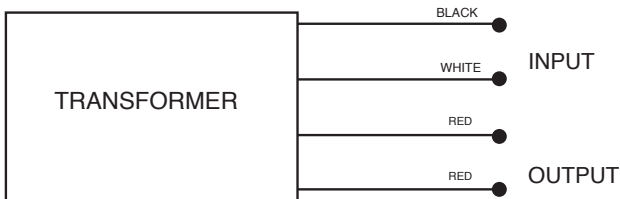


Input Voltage	120Vac, 230Vac, 277Vac
Input Frequency	50/60Hz
Output Power	15W, 30W & 60W MODELS
Input Current	.2A
Nominal Output Voltage	12Vac
Power Factor	0.90
Ambient Temp.	-20°-+50°C
Case Temp. (Tc)	+90°C
Class 2	Yes (isolated secondary)
Dimming	Yes (Line Voltage)

**No Minimum Load - Full Range Dimming\***

### WIRING DIAGRAM

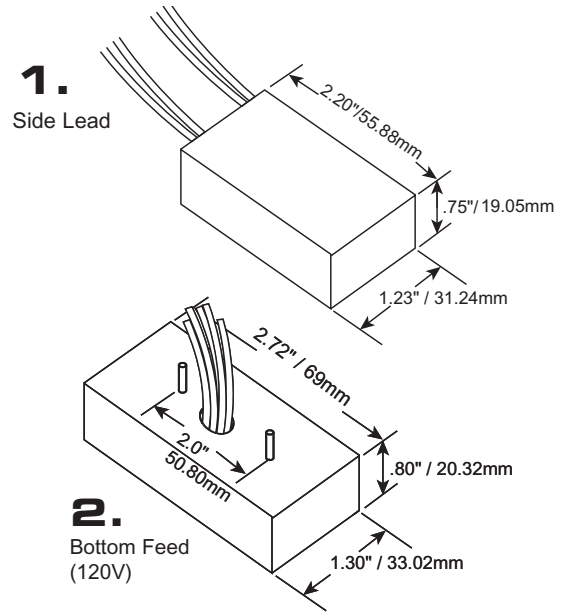
**DIAGRAM A**



### Mechanical Specifications

- Hard Wires : Input Leads : AWG#18 stranded, 6", black and white
- : Output Leads : AWG#18 stranded, 6", red
- Case Material : Aluminum
- RoHS Compliant : Yes
- UL1310 Compliant : Yes
- Indoor Use : Low Humidity / No Condensation
- In-Rush Current : NSI/IEEE C62.41, Class A
- : Operation Compliant

### DIMENSIONS



Regulatory



\* Works with approved dimmers.  
Contact Hatch for approved list.



2107 Chico Ave.  
South El Monte, CA 91733  
Telephone: (626) 433-4800  
Toll Free: (800) 469-3637  
Fax: (626) 433-4839

**Electronic Short-Circuit Protection**

All Hatch low-voltage transformers employ our (ESP) Electronic Short Circuit and over load Protection. The ESP sensing circuit will instantly shut down the output before any of the components are stressed if a short circuit or over load is detected. The transformer will automatically reset as soon as the fault is corrected.

**Works best with approved dimmers for optimum performance.**  
**Full range dimming available only on 120V models. Please contact HATCH for a complete list.**

Max Watts	Input Volts	Input Amps	Nominal Output Volts	Output Amps	Case Style	Wiring Dia.	Hatch Item No.
15	120	.13	11.5	1.3	1	A	RS12-15M-LED
			23.5	.64			RS24-15M-LED
	230	.07	11.5	1.3	1	A	RS12-15M-230-LED
			23.5	.64			RS24-15M-230-LED
	277	.05	11.5	1.3	1	A	RS12-15M-277-LED
			23.5	.64			RS24-15M-277-LED
30	120	.25	11.5	2.6	1	A	RS12-30M-LED
			23.5	1.3			RS24-30M-LED
	230	.13	11.5	2.6	1	A	RS12-30M-230-LED
			23.5	1.3			RS24-30M-230-LED
	277	.11	11.5	2.6	1	A	RS12-30M-277-LED
			23.5	1.3			RS24-30M-277-LED
60	120	.50	11.5	5.2	1	A	RS12-60M-LED
			23.5	2.6			RS24-60M-LED
	230	.26	11.5	5.2	1	A	RS12-60M-230-LED
			23.5	2.6			RS24-60M-230-LED
	277	.22	11.5	5.2	1	A	RS12-60M-277-LED
			23.5	2.6			RS24-60M-277-LED
60	120	.50	11.5	5.2	2	A	RS12-60BF-LED
	230	.26	11.5	5.2	2	A	RS12-60BF-230-LED
	277	.22	11.5	5.2	2	A	RS12-60BF-277-LED

NOTE: Hatch RS Series A/C LED Drivers can operate 12V Halogen Lamps.



2107 Chico Ave.  
 South El Monte, CA 91733  
 Telephone: (626) 433-4800  
 Toll Free: (800) 469-3637  
 Fax: (626) 433-4839

Version 1.0 08/10