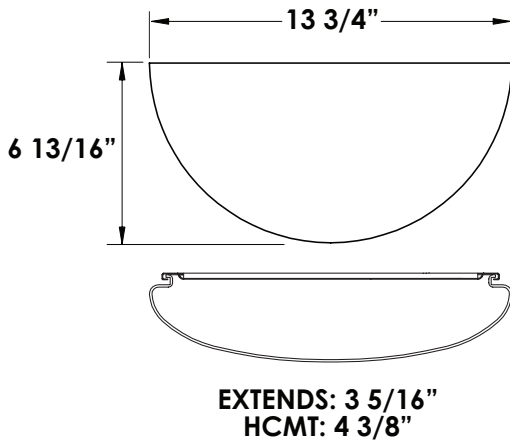


# HALFMOON WALL SCNCE FIXTURES

## SPECIFICATIONS

- 120-277V INPUT VOLTAGE, 50/60Hz
- CONSTANT CURRENT AT 700 MILLIAMPS
- DRIVER UL CLASS 2, POWER FACTOR > .90
- OPERATING TEMPERATURE -18°C (0°F) TO 40°C (104°F) (25°C NOMINAL)
- ESTIMATED 50,000 HRS L<sub>70</sub>\*
- THERMALLY PROTECTED LED ARRAY
- WHITE POWDERCOATED ALUMINUM BASE AND ACRYLIC DIFFUSER
- UL/CUL LISTED FOR DAMP LOCATION
- STANDARD PACK QTY: 10



**SPJ-FM101**



EXAMPLE # **SPJ-FM101-L1700W-WW**

STYLE #	SOURCE/WATTAGE	COLOR TEMP	BODY	LENS
SPJ-FM101 = LOW PROFILE	L1700W = 8 CREE LED ARRAY (18W) 22W POWER INPUT 1704 LUMENS <b>77 LUMENS PER WATT**</b>	3000K CRI = 80 (TYP)	W = WHITE	W = WHITE

L1700W LED REPLACEMENT PARTS
L18W-DC-700-08-L = 8 CREE LED ARRAY
IG1800-DMV-1 = LED DRIVER

\* DATA PER LM80/TM21 @ 1000MA AVAILABLE UPON REQUEST

\*\* ESTIMATED FOR LED SOURCE

For more information regarding SPJ Lighting's LED Fixtures and Custom Packaging please contact our sales department at **800-469-3637** or visit **www.spjlighting.com.com**

Specifications, design & components subject to change without notice. Printed in U.S.A. © 2012 SPJ Lighting Inc.

