



Forever Bright

SPECIFICATION FEATURES



Model: **SPJ-FB-PH3**
Finish: Black

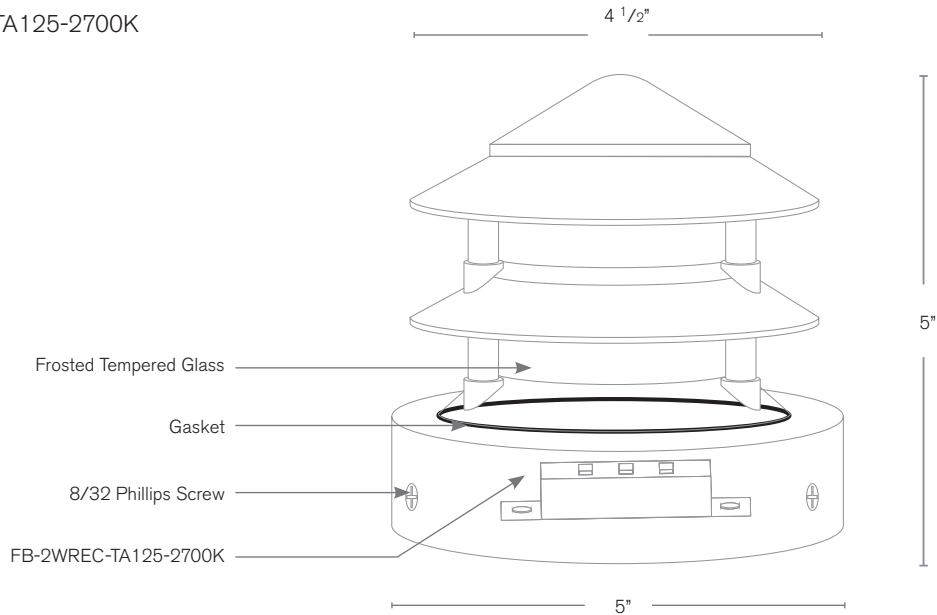
- Finish:** Our naturally etched finishes will withstand the test of time. All finishes are individually treated insuring consistency. Our meticulous application results in a fixture that truly becomes "a one of a kind".
- Electrical:** Available in 9-15V
- Labels:** ETL Standard Wet Label
C-ETL

**Higher Lumen Packages Available
Consult Customer Service**

**Solid Brass Pagoda
Ceiling • Wall • Deck**

DESCRIPTION

- Model#:** SPJ-FB-PH3
- Material:** Solid Brass
- Electrical:** 9-15V
- Engine:** FB-2WREC-TA125-2700K
- Lumens:** 125
- Color Temp:** 2700k
- Mounting:** Pilaster
- LED:** Nichia
- Option:** 120V



Wet Listed



ORDERING INFORMATION

Model#	Finishes	Wattage	Optics	Lumens	Color Temp.	Electrical
SPJ-FB-PH3	B	2W	NA	125	2700K	9-15V

- | | | | | | | |
|--------------------|---------------------|----|------------------|-----|-------|-------|
| V = Verde | GM = Gun Metal | 2W | Spot | 125 | 2700K | 9-15V |
| M = Moss | B = Black | | Flood | | 4000K | |
| AG = Aged Brass | R = Rusty | | Wide Flood | | 6500K | |
| MBR = Matte Bronze | PVDP = PVD Polished | | Wide Angle Flood | | | |
| RC = Raw Copper | PVDS = PVD Satin | | | | | |

WWW.SPJLIGHTING.COM