

Project		Catalog #		Type	
Prepared by		Notes		Date	



Sure-Lites

All-Pro APELMINI Series

LED Emergency Light
Compact Housing
Sealed Nickel Cadmium Battery

Typical Applications

Office • Education • Healthcare • Hospitality • Retail • Manufacturing

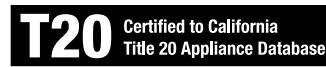
Interactive Menu

- Order Information [page 2](#)
- Photometric Data [page 2](#)
- Product Warranty

Top Product Features

- Provides emergency lighting for a minimum of 90 minutes
- UL 924 damp location listed
- Up to 17 feet of emergency egress coverage
- Compact, high impact thermoplastic housing: 5-1/4" x 4-3/4"
- 3.6V, 0.78W DC long lasting LED heads
- Dual voltage input 120/277 VAC, 60 Hz
- Universal J-box mounting pattern, three conduit entry points
- Operating temperature range of 10°C to 40°C

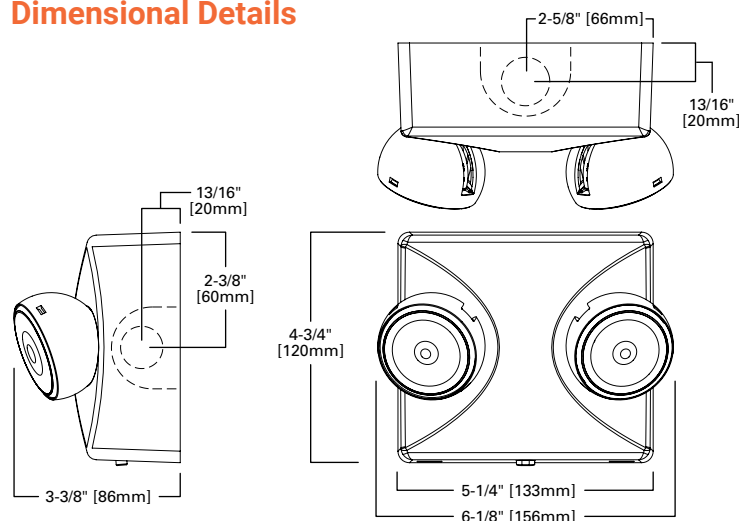
Product Certification



Product Features



Dimensional Details



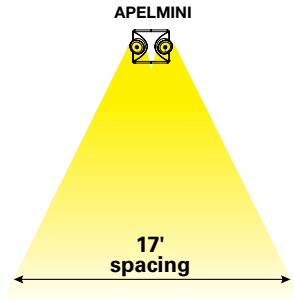
Order Information

[View IES files](#)

SAMPLE ORDER NUMBER: **APELMINI**

Series	Size	Battery	Housing Color	Catalog Numbers
APEL	MINI-J-box size	[Blank]=Nickel Cadmium Battery	[Blank]=White	APELMINI

APELMINI Spacing



Product Specifications

Electrical

- Dual Voltage Input 120/277VAC 60Hz
- Line-latching
- Brownout circuit
- Low Voltage Disconnect
- Overload/Short Circuit Protection
- Test Switch/Power connector facilitates installation
- 3.6V, 0.78W DC Long Lasting LED Heads

Housing Construction

- All components are injection molded, color stable, high impact thermoplastic material
- Designer textured finish standard
- Components are of snap-fit construction to facilitate under 5-minute installation
- Reinforcing ribs throughout to provide maximum strength
- Suitable for wall or ceiling mount applications
- Universal J-box mounting pattern
- Keyhole mounting slots
- Three conduit entry points.
- Compact 5-1/4" x 4-3/4" housing
- Available in white

Battery

- Sealed nickel cadmium
- Maintenance-free, long-life
- Full recharge time: 24 hrs (max.)
- Polarized battery terminals

Code Compliance

- UL 924 Damp Location Listed
- Life Safety NFPA 101
- NEC/OSHA
- Most State and Local Codes
- Operating temperature range 10 °C to 40 °C
- California Energy Code compliant

Head/Lamp Data

- Long Life LED Emergency Heads
- Two heads standard
- Fully adjustable
- High impact thermoplastic
- Matches housing finish

Warranty

- Five-year warranty
- Seven-year prorated battery warranty

Energy Data

Model	Input Power 120V	Input Power 277V	Input Current 120V (Max.)	Input Current 277V (Max.)
APELMINI	0.33W	0.47W	.06A	.07A

Electrical Ratings

Model	DC Voltage	1.5 Hours
APELMINI	3.6 Volts	1.5 Watts

Note: Each Long Life LED Emergency Head replaces a 5.4 Watt Incandescent lamp.

Technical Data

Description

The APELMINI is an UL 924 listed emergency light with a minimum of 90 minutes of run time and 17 feet of emergency egress coverage in a compact 5-1/4" by 4-3/4" housing. Key features include LED heads, a no maintenance nickel cadmium battery and a five year fixture warranty. The LED heads are fully adjustable to maximize design flexibility while the compact form factor optimizes aesthetics. The universal j-box mounting pattern and snap fit housing construction significantly reduce installation time. Three conduit entry points offer multiple connection options for easier installation.

LED Heads

- Horizontal and vertical rotatable, fully adjustable
- 3.6V, 0.78W DC LED heads

Housing Construction

- Rugged, durable, injection molded thermoplastic materials
- Structural components designed with reinforcing ribs for additional rigidity and structural integrity
- Impact and scratch resistant
- UV stabilized to resist discoloration due to age and ultraviolet radiation
- Snap-fit construction (no mechanical fasteners) to facilitate installation in under five minutes
- Mounting plate's keyhole mounting slots and universal mounting pattern provides quick, efficient installation
- Installation components included (wire nuts, wire leads, etc.)
- Three conduit entry points
- Wall or ceiling mounting
- Housing color available in white

Line-Latched

- Line-latched electronic circuitry for easy and economical installation
- Line-latching eliminates contractor's return to site to connect the batteries when the building's main power is turned on
- Labor efficient AC activated load switch prevents lamps from turning on during installation to a non-energized AC circuit

Solid-State Charger

- 120/277 VAC, voltage regulated solid-state charger
- High charge rate immediately following power restoration of AC current after a power failure
- Charge circuit reacts to the condition of the battery and regulates the charging process in order to maintain peak battery capacity and maximize battery life
- Solid-state construction recharges the battery following a power failure in accordance with UL 924

Brownout Circuit

- Monitors the flow of AC current
- Activates the emergency lighting system when a predetermined reduction/dip of AC power occurs (a dip in voltage will cause most ballasted products to extinguish, causing loss of normal lighting even though a total power failure has not occurred)

Low Voltage Disconnect

- Low-voltage circuitry disconnects the lighting load when battery's terminal voltage falls
- Disconnect remains in effect until normal utility power is restored, preventing deep battery discharge

Test Switch/Power Indicator Light

- Switch permits the activation of the emergency circuit for complete operational systems check
- Indicator light provides visual assurance that the AC power is on

Sealed Nickel Cadmium Battery

- Sealed, maintenance-free nickel cadmium battery with 10-year life expectancy
- Rechargeable battery offers high discharge rates and stable performance over a wide range of temperatures
- Resealable vent automatically controls cell pressure, assuring safety and reliability
- Best suited for harsh ambient temperatures due to the electrolyte is not active in the electrochemical process

Limited Warranty

- Five-year limited warranty against defects in material and workmanship
- Nickel cadmium battery has a seven-year prorated warranty