

# LED LINKABLE FIXTURES



Linkable T8 LED Integrated Lamps to perform efficiently in conditions where low voltage, halogen, or fluorescent luminaires have traditionally been used. Our LED tubes incorporate integral drivers, are self-supporting and can be surface mounted. Individual units can be plugged together for continuous lengths up to 200W. Our Lamps connect directly to line voltage and can be used in any interior space.

## Product Features

Efficacy up to 140 Lumens per watt  
Input Voltage 100-277Vac 50-60Hz  
Operates directly from line voltage  
Usable as a stand alone fixture

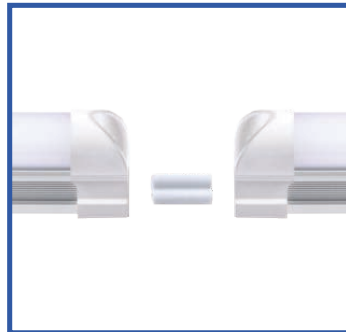
Linkable up to 200W at AC120V  
Aluminum and PC housing  
ETL & DLC Listed  
5 Year warranty

# LED LINKABLE FIXTURES



SKU #	Model #	Watt	Lumens	CCT	Size	Lens	Certifications
1510717	BLT-T8-30P4FT-INT26500K-C	30W	4200Lm	6500K	4ft	Clear	ETL
1530837	BLT-T8-30P4FT- INT2(4000K)-F	30W	4200Lm	4000K	4ft	Frosted	ETL
1510623	BLT-T8-60P8FT-INT26500K-F	60W	8400Lm	6500K	8ft	Frosted	ETL
1530547	BLT-T8-60P8FT- INT2(5000K)-F	60W	8400Lm	5000K	8ft	Frosted	DLC
1510715	BLT-T8-60P8FT-INT26500K-C	60W	8400Lm	6500K	8ft	Clear	ETL
1510624	BLT-T8-60P8FT-INT26500K-S	60W	8400Lm	6500K	8ft	Striped	ETL
1530838	BLT-T8-60P8FT- INT2(4000K)-F	60W	8400Lm	4000K	8ft	Frosted	ETL
1520574	BLT-T8-90P8FT-INT4(5000K)-C	90W	12600Lm	5000K	8ft	Clear	ETL
1560700	BLT-T8-90P8FT-INT4(5000K)-C	90W	12600Lm	6500K	8ft	Clear	ETL

Linkable Options



Mounting Clips

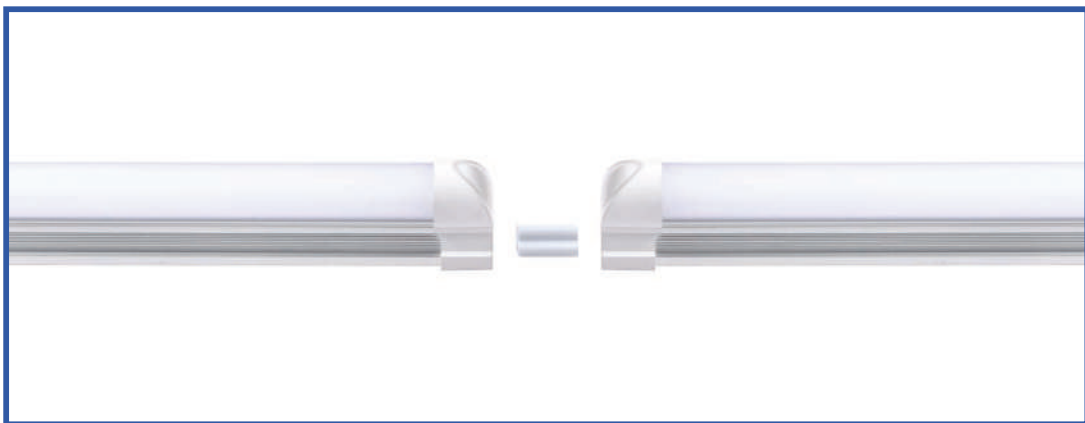


# LED LINKABLE FIXTURES

## Specifications

Parameter	Description	Value
General Performance	Wattage	30W
	Lumen	4200Lm
	Lumen Efficacy	Up to 140LM/W
	Color Temperature	6500K   5000K   4000K
	CRI (Ra)	>80
	Beam Angle	100° Degree
	Diffuser Type	Striped / Clear / Frosted
Electrical	Input Voltage	100-277Vac
	Frequency	50/60Hz
	Power Factor	>0.95
Physical	Operating Temperature	-30°C to 65°C
	Operating Humidity	N/A
	Storage Temperature	N/A
	LED Type	SMC2835
	Housing Material	Aluminum + PC Cover
Qualification	Housing Color	White
	IP Rating	IP22
	Warranty	5 Year

### Linkable Options



# LED LINKABLE FIXTURES



## Specifications

Parameter	Description	Value
General Performance	Wattage	60W
	Lumen	8400Lm
	Lumen Efficacy	Up to 140LM/W
	Color Temperature	6500K   5000K   4000K
	CRI (Ra)	>80
	Beam Angle	100° Degree
	Diffuser Type	Striped / Clear / Frosted
Electrical	Input Voltage	100-277Vac
	Frequency	50/60Hz
	Power Factor	>0.95
Physical	Operating Temperature	-30°C to 65°C
	Operating Humidity	N/A
	Storage Temperature	N/A
	LED Type	SMC2835
	Housing Material	Aluminum + PC Cover
Qualification	Housing Color	White
	IP Rating	IP22
	Warranty	5 Year

### Linkable Options Mounting Clips



# LED LINKABLE FIXTURES

## Specifications

Parameter	Description	Value
General Performance	Wattage	90W
	Lumen	12600Lm
	Lumen Efficacy	Up to 140LM/W
	Color Temperature	5000K / 6500K
	CRI (Ra)	>80
	Beam Angle	100° Degree
	Diffuser Type	Clear
Electrical	Input Voltage	100-277Vac
	Frequency	50/60Hz
	Power Factor	>0.95
Physical	Operating Temperature	-30°C to 65°C
	Operating Humidity	N/A
	Storage Temperature	N/A
	LED Type	SMC2835
	Housing Material	Aluminum + PC Cover
Qualification	Housing Color	White
	IP Rating	IP22
	Warranty	5 Year

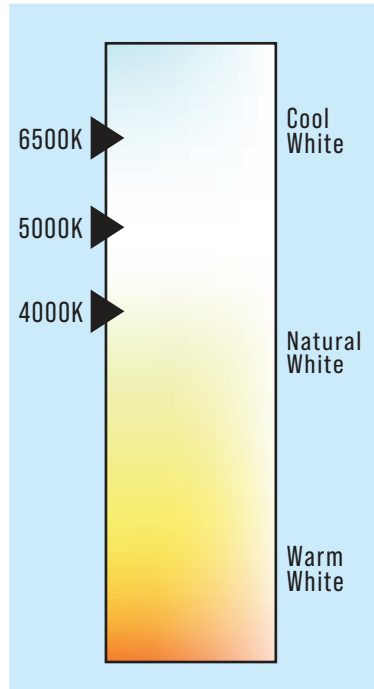
## Installation, Hanging



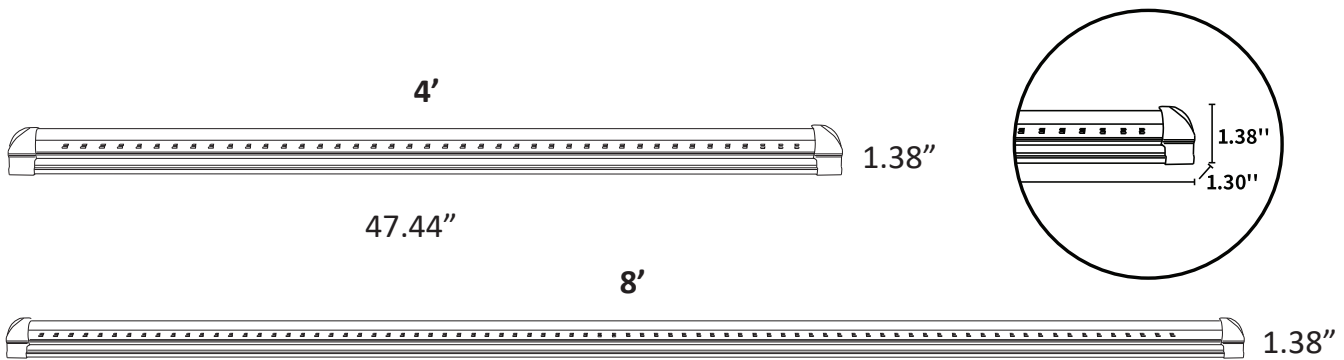
# LED LINKABLE FIXTURES



## Correlated Color Temperature (CCT)

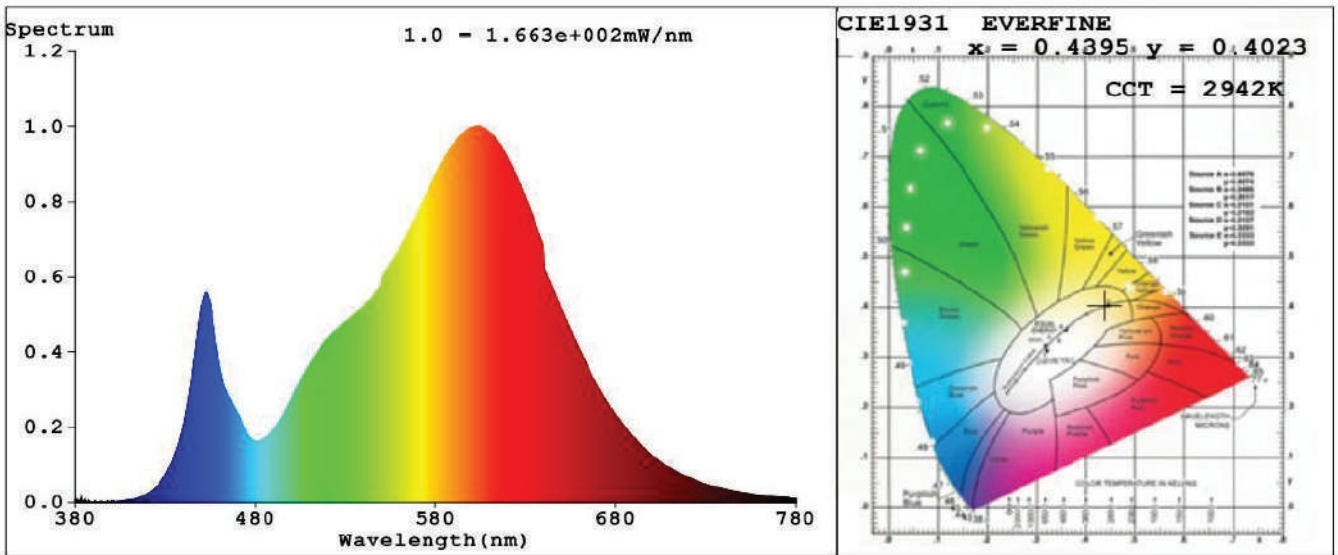


## Dimension



# LED LINKABLE FIXTURES

## Distribution Diagram



## Chromaticity Measurement - Sphere - Spectroradiometer

### Method (Self-absorption)

Parameter		Result	Special Color Rendering Indices			
Test Voltage (V)	120	120	R1	78	R9	0
Frequency (Hz)	60	60	R2	90	R10	77
CCT (K)	2942	2942	R3	96	R11	75
Duv	-0.0011	-0.0011	R4	77	R12	68
Chromaticity (x, y)	$x=0.4395$ $y=0.4023$	$x=0.4395$ $y=0.4023$	R5	78	R13	81
Chromaticity (u', v')	$u'=0.2530$ $v'=0.5211$	$u'=0.2530$ $v'=0.5211$	R6	87	R14	98
Color Rendering Index (CRI)	80	80	R7	80	R15	70
R9	0	0	R8	54	--	--

### Photometric Measurement - Sphere - Spectroradiometer Method

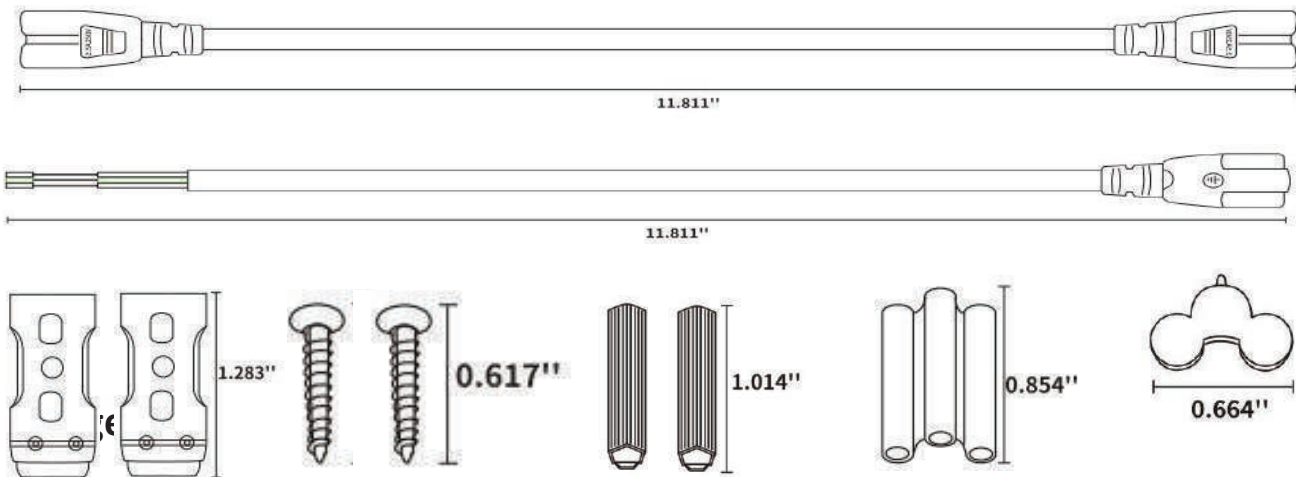
Parameter	Results		DLC V4.4 Pass Criteria	
Test Voltage (V)	120	277	--	
Frequency (Hz)	60	60		
Total Luminous (lm)	8265	8323	>=375 lm/ft (-10%)	
Luminous Efficacy (lm/W)	135.43	137.82	Standard: >=	Premium: >=
			105(-3%)	130(-3%)

# LED LINKABLE FIXTURES

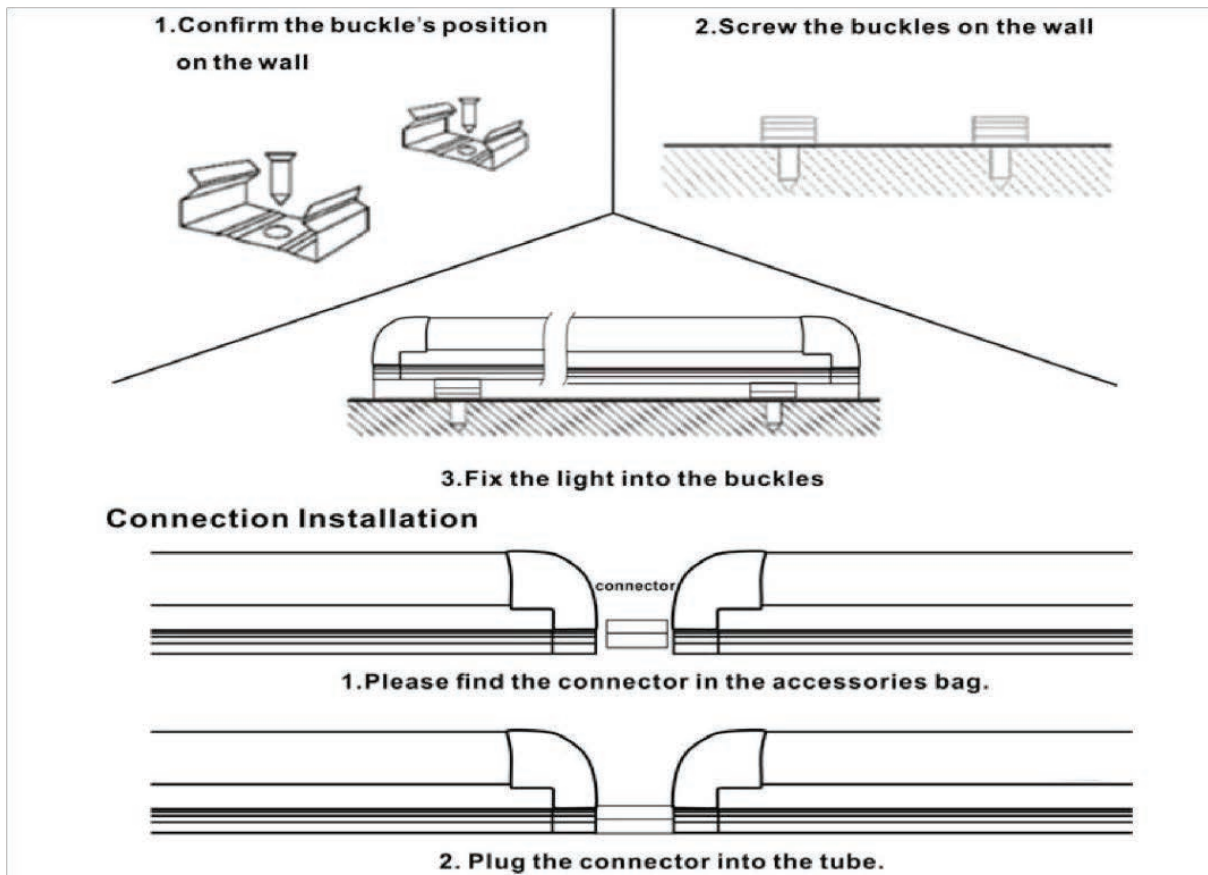


## Installation

1. Standard accessories are given below:



2. Installation instruction:





# LED LINKABLE FIXTURES

## Packaging

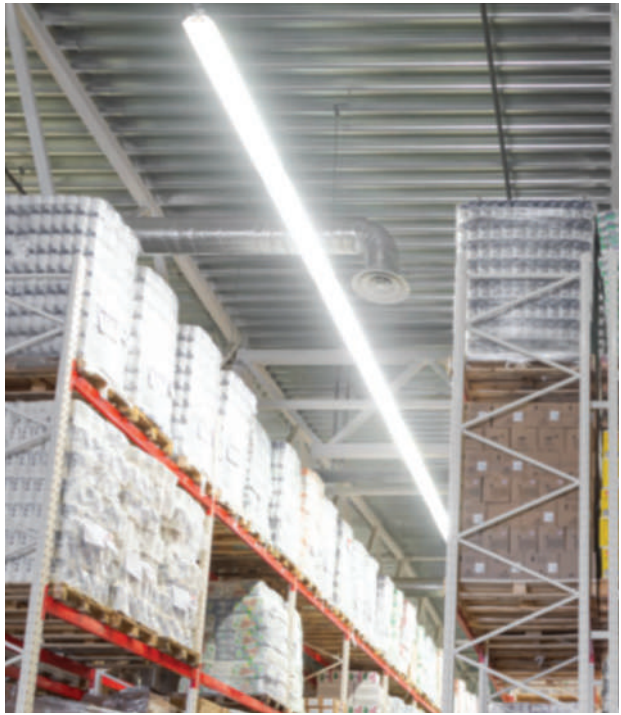
Tube Length	Box Size (Inches)	Box Qty	Box Weight
4'	49.21 x 5 x 5	4 Pcs	7 LBS
4'	49.21 x 9 x 8	20 Pcs	18 LBS
8'	95.28 x 5 x 5	4 Pcs	11 LBS
8'	95.28 x 5 x 8	20 Pcs	34 LBS



# LED LINKABLE FIXTURES



## Application Picture



## Warranty

5 Year Warranty

LED LINKABLE FIXTURES