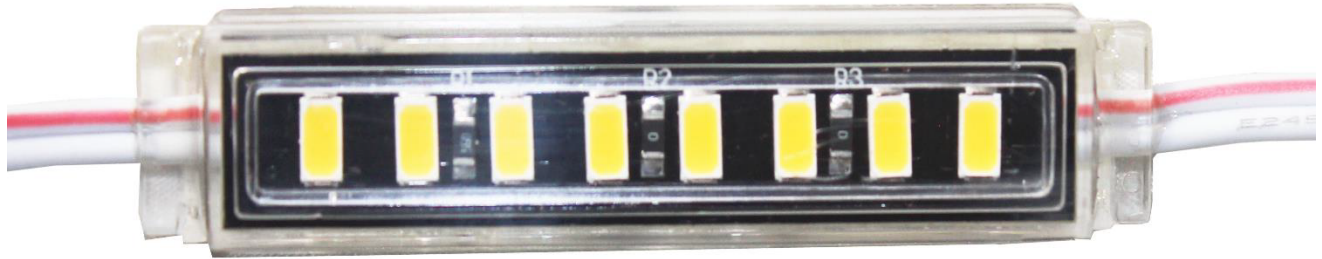


# LED Modules



Nothing But LEDs high quality LED modules specially designed for outdoor applications including construction activity, retrofit of medium size and large size channel letters, or utility of sign decoration. The product is available in White color. These modules are easily customized to meet all required specification. The excellent heat dissipation provided by the integrated heat sink reduces the degradation of light and color deviation. The double-sided VHB 3M tape, at the back of the product, allows easy mounting and installation ensuring reliability. In addition, the ultrasonically welded body of these modules and its IP68 rating guarantees water resistance for signage applications.

## Product Features

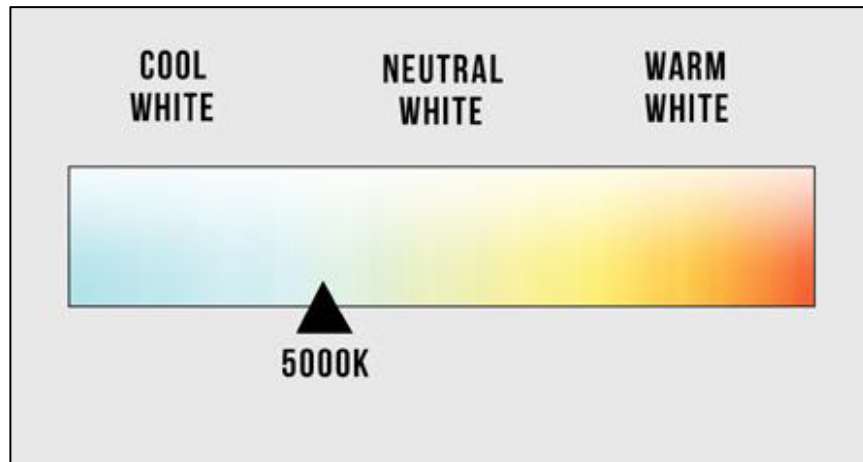
- Operating temperature:-25°C to 60°C
- Up to 170 LM/W efficacy
- Constant voltage LED driver integrated which eliminates the need for an external driver or ballast
- Complies with UL safety regulations
- This product is IP68 rated, therefore, it is suited for both indoor and outdoor applications
- Constant current 24V DC driving system
- 120-degree beam angle
- 5 years warranty
- 0.96 Watt per module, specially designed for thicker large channel letters
- No UV or IR in the beam
- Environment friendly with no mercury
- Easy to install and operate, with instant and no humming
- Energy saving with long lifespan

## Specifications

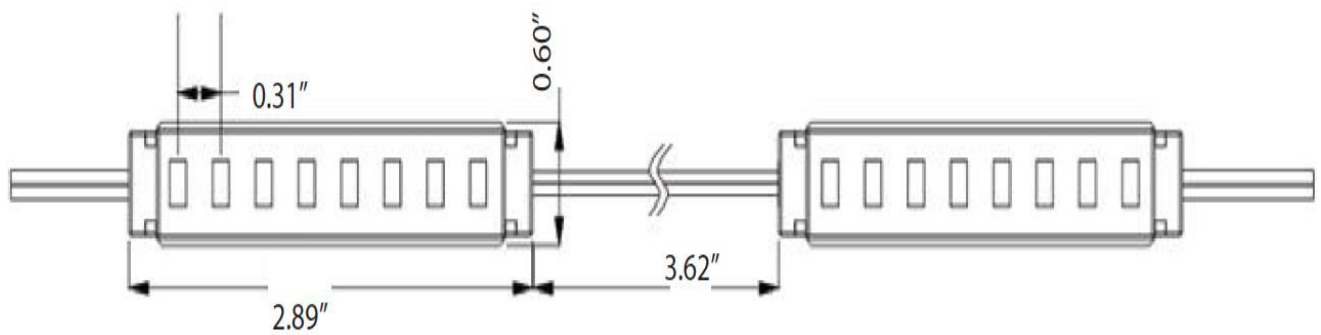
Model #	Watts	Lumens	CCT	Certification
GLMD161	0.96W	164LM	6500K	UL

Parameter	Description	Value
General Performance	Model #	GLMD161
	Product	LED Waterproof Module 0.96W DC24 White Pack of 50
	Wattage	0.96W
	Lumen	Up to 164LM
	Lumen Efficacy	Up to 170LM/W
	Color Temperature	6500K
Electrical	Input Voltage	24V
	Rated Current per Module	41.6mA
	Power consumption per Module	1W
	Chain can be subdivided	Every 1 Module
Physical	Operating Temperature	-25°C TO 60°C
	Storage Temperature	-30°C TO 70°C
	Consecutive Modules connected	Max. 40
	LED Brand	San'an
	LED Type	SMD5730
	LED per Module	8
Qualification	IP Rating	IP68
	Life Span	50,000 h
	Warranty	5 years warranty

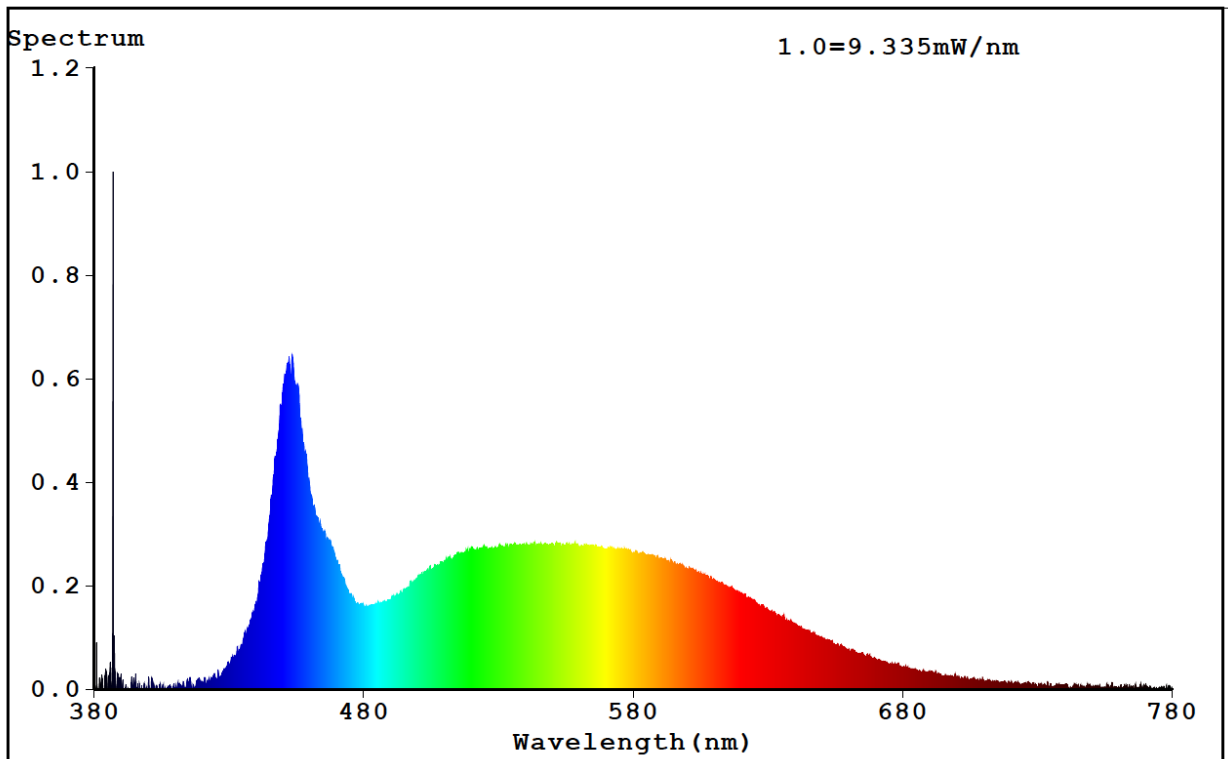
## Correlated Color Temperature (CCT)



## Dimensions



## Spectrum Test Report



### Caution

1. Can not use the electric generator to test the LED light .
2. Please abide by related country, regional and local law and regulations when installing this fixture.
3. Please turn off the power before installation or maintenance.
4. Proper grounding is required to ensure safety.

## Notice

1. To avoid possibility of electrical shock or fire, the installation personnel must have professional electric knowledge.
2. Please wear gloves to avoid injury before installation.
3. If there is any smoke or spark, please turn off the power immediately and consult a qualified electrician.
4. Please use listed water proof strain relief bushing when connection the supply cord to the outlet box.

## Packaging Info

Bracket Type	Carton Size	Qty/Box	G.W./Box
Outer Box	14.96 X 14.57 X 11.02 in	14 PCS	26.74 lbs

Tolerance of Carton Size:  $\pm 15$  MM, Tolerance of Weight:  $\pm 10\%$ .

## Application



## Safety Precautions

To reduce the risk of death, personal injury or property damage from fire, electric shock, falling parts, cuts/abrasions, and other hazards read all warnings and instructions included with and on the fixture box and all fixture labels. Before installing, servicing, or performing routine maintenance upon this equipment, follow these general precautions. Commercial installation, service and maintenance of luminaires should be performed by a qualified licensed electrician.

For the installation: If you are unsure about the installation or maintenance of the luminaires, consult a qualified licensed electrician and check your local electrical code. To prevent wiring damage or abrasion, do not expose wiring to edges of sheet metal or other sharp objects. Do not make or alter any open holes in an enclosure of wiring or electrical components during kit installation.

### WARNING: RISK OF FIRE OR ELECTRICAL SHOCK

Turn off electrical power at fuse or circuit breaker box before wiring fixture to the power supply. Turn off the power when you perform any maintenance. Verify that supply voltage is correct by comparing it with the luminaire label information. Make all electrical and grounded connections in accordance with the National Electrical Code and any applicable local code requirements. All wiring connections should be capped with UL approved wire connectors.

### CAUTION: RISK OF INJURY

Avoid direct eye exposure to the light source while it is on.  
Account for small parts and destroy packing material, as these may be hazardous to children.

## Warranty

5 Years Warranty