

## LED Linkable Fixtures



Nothing But LEDs Linkable T8 LED Integrated Lamps perform efficiently in conditions where low voltage, halogen, or fluorescent luminaires have traditionally been used. Our LED tubes incorporate integral drivers, are self-supporting, and can be surface mounted. Individual units can be plugged together for continuous lengths up to 32 feet. Our Lamps connect directly to line voltage and can be used in any interior space.

- Operates directly from line voltage
- Usable as a stand-alone fixture
- Linkable up to 300W at AC120V
- Linkable up to 600W at 220-270V
- Efficacy up to 140 Lumens per watt
- Aluminum and PC housing
- Rated IP22 for indoor use
- Universal 100-277Vac 50-60Hz
- Rated lifetime 50,000 hours



Watts	Lumens	CCT	Lens	Length	Certifications
30W	4200Lm	6500K	Striped	4'	ETL
30W	4200Lm	6500K	Clear	4'	ETL
30W	4200Lm	5000K	Frosted	4'	ETL & DLC
30W	4200Lm	4000K	Frosted	4'	ETL & DLC
60W	8400Lm	6500K	Frosted	8'	ETL
60W	8400Lm	5000K	Frosted	8'	ETL
60W	8400Lm	6500K	Clear	8'	ETL
60W	8400Lm	6500K	Striped	8'	ETL
60W	8400Lm	4000K	Frosted	8'	ETL & DLC
90W	12600Lm	5000K	Clear	8'	ETL

## Specifications

Input Voltage	Power Factor	CR	Beam angle
100-277 VA 50/60HZ	>0.95	Ra>80	120°

## Fixture Specifications

Body	Material: Aluminum+PC cover
Light source	SMD2835 LED
Lens	Frosted / Clear / Striped
THD	≤20%
Lifetime	50,000 Hours

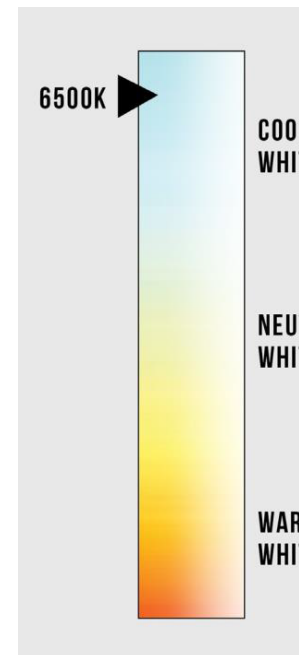
## Others

Environmental Requirements	Operation Temperature: -30°C to 65°C IP22 indoor use Non-corrosive environments
----------------------------	---

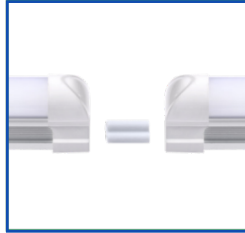
## Warranty

Warranty	5 ..
----------	------

## CORRELATED COLOR TEMPERATURE (CCT)



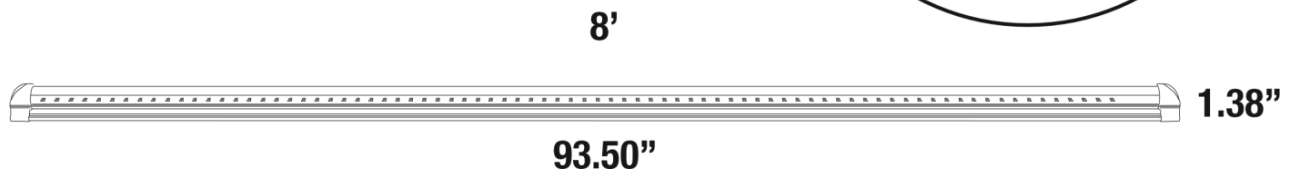
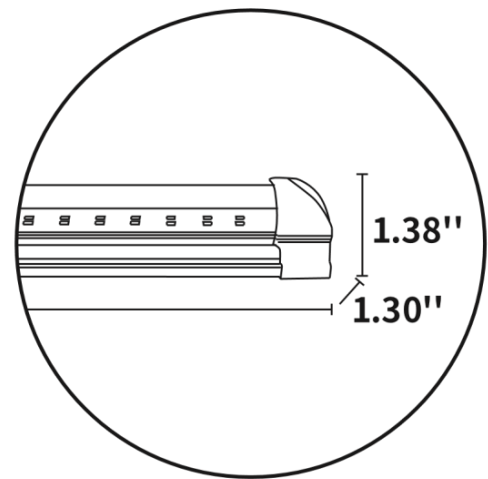
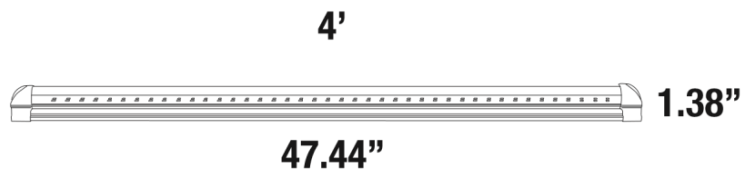
**Linkable Options**



**Mounting Clips**



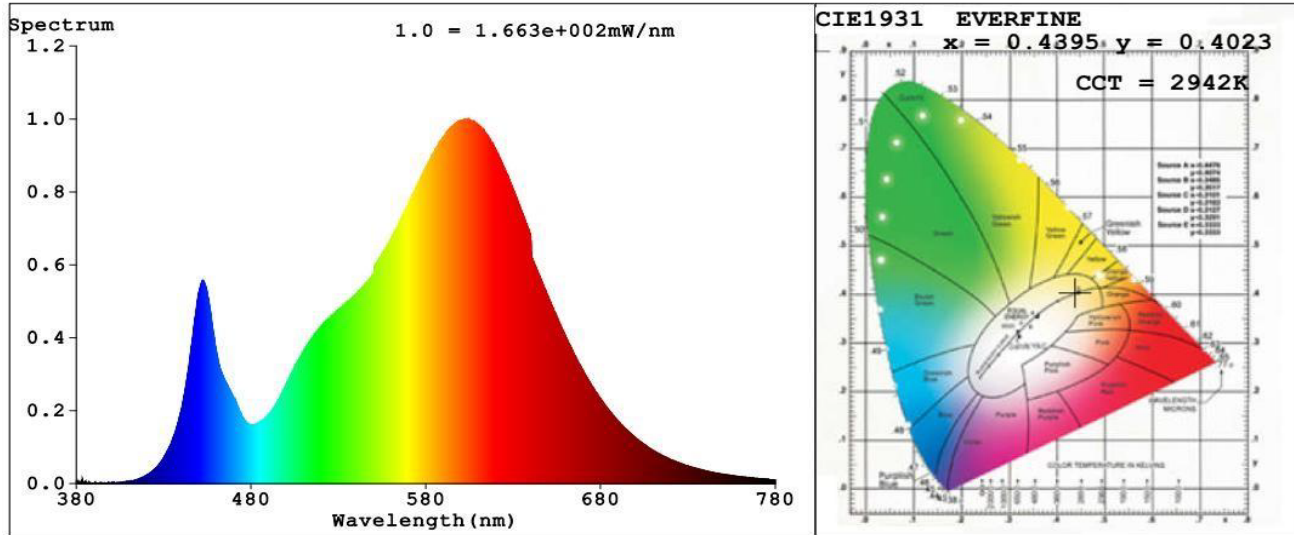
**Dimensions**



**Optional Installation, Hanging**



## Distribution Diagram



### Chromaticity Measurement - Sphere-Spectroradiometer Method(Self-absorption:):

Parameter	Result
Test Voltage (V)	120
Frequency (Hz)	60
CCT (K)	2942
Duv	-0.0011
Chromaticity (x, y)	$x=0.4395, y=0.4023$
Chromaticity (u', v')	$u'=0.2530, v'=0.5211$
Color Rendering Index (CRI)	80.0
R9	0

Special Color Rendering Indices			
R1	78	R9	0
R2	90	R10	77
R3	96	R11	75
R4	77	R12	68
R5	78	R13	81
R6	87	R14	98
R7	80	R15	70
R8	54	--	--

### Photometric Measurement - Sphere-Spectroradiometer Method:

Parameter	Result		DLC V4.4 Pass Criteria	
Test Voltage (V)	120	277	--	
Frequency (Hz)	60	60		
Total Luminous (lm)	8265	8323	>=375 lm/ft (-10%)	
Luminous Efficacy (lm/W)	135.43	137.82	Standard: >= 105(-3%)	Premium: >= 130(-3%)

Tube Length	Box Size	Box weight	Box quantity
4'	50" X 17" X 10"	43 LBS	50 PCS
8'	97" X 9" X 9"	34 LBS	20 PCS



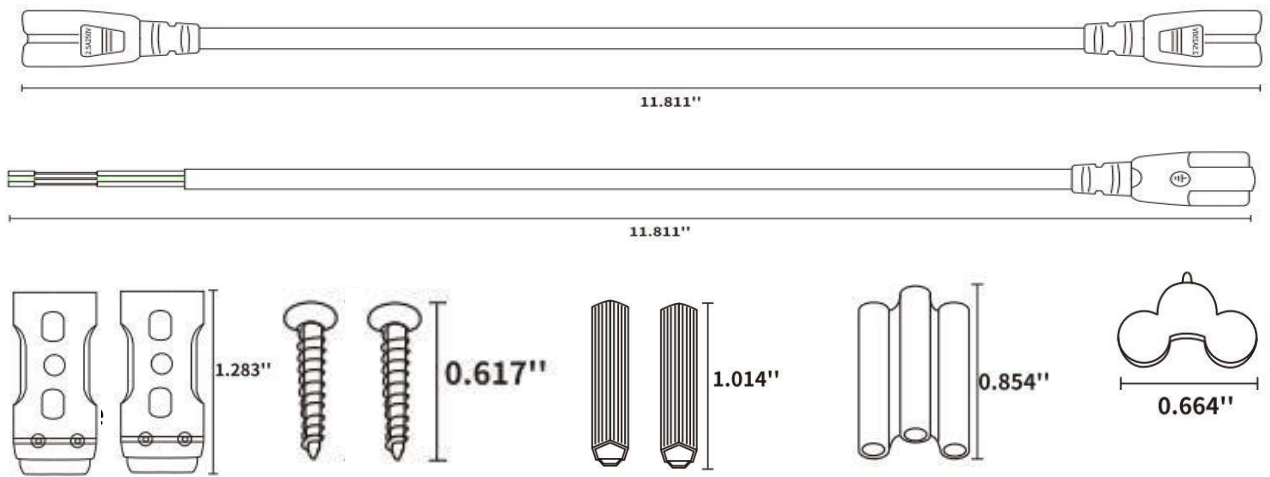
## Application



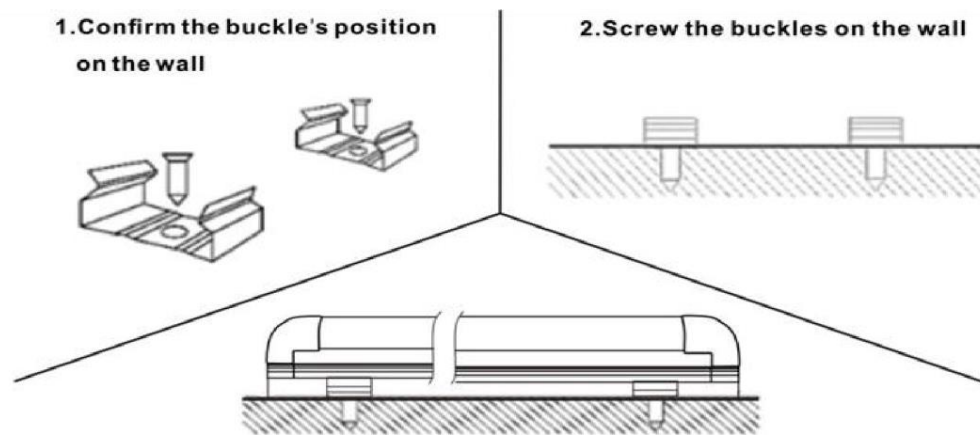


## Installation

1. Standard accessories included as below:

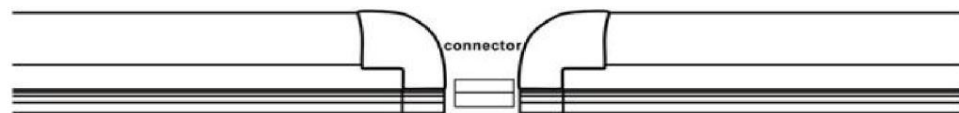


2. Installation instruction:



**3. Fix the light into the buckles**

### Connection Installation



1. Please find the connector in the accessories bag.



2. Plug the connector into the tube.