

LED A19 Bulbs



Nothing But LEDs JK A19 Bulb is an ideal product for all residential, and commercial applications, as it is economical and significantly reduces electrical and replacement costs. Engineered to be shatter resistant, long, lasting, and energy efficient; it provides up to 100 Lumens per Watt efficacy. A-19 bulb offers an energy efficient replacement for conventional 60/100W incandescent bulbs

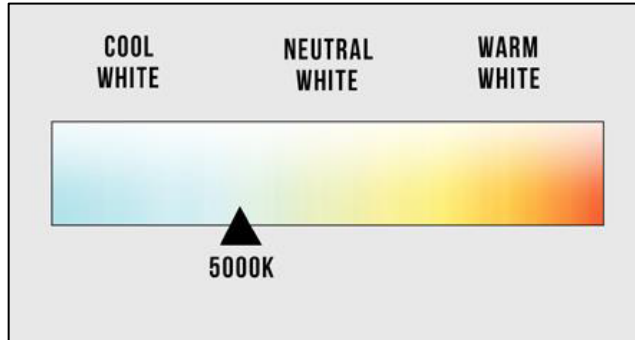
Product Features

- Operating temperature:-20°C to 40°C
- Up to 100 Lumens per Watt efficacy
- Dimmable
- Specially designed for enclosed fixtures
- Rated for safe use in damp locations like bathrooms and kitchens
- Estimated life of 15,000hrs
- No lead or mercury means easy and environmentally safe disposal
- Integral LED driver, eliminates the need for an external driver or ballast
- Spotless soft light without shadow
- 2835 chip with high CRI
- Input Voltage 120Vac 60Hz
- No UV or IR in the beam
- Environment friendly with no mercury
- Easy to install and operate, with instant and no humming
- Energy saving with long lifespan

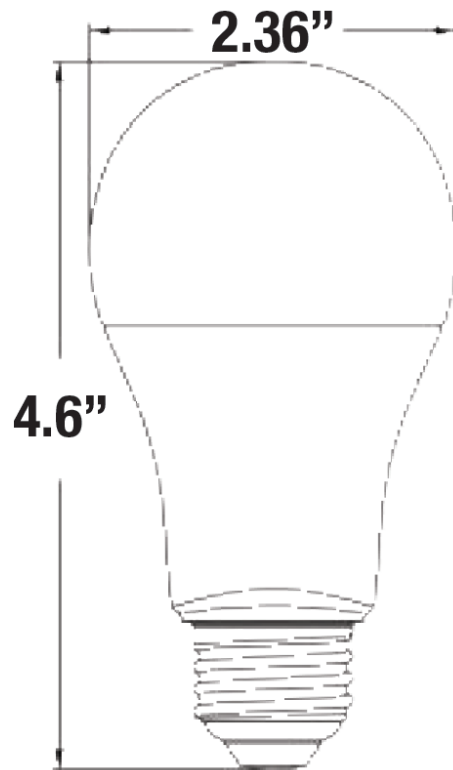
Model #	Watts	Lumens	CCT	Dimmable	Certifications
A19 15W 120V E26 ED G4 850	15W	1600LM	5000K	Yes	UL

Parameter	Description	Value
General Performance	Model #	BLT-A19 15W 120V E26 ED G4 850
	Description	LED Bulb A19 15W 5000K Dimmable Pack of 6
	Wattage	15W
	Lumen	Up to 1600LM
	Lumen Efficacy	Up to 100LM/W
	Color Temperature	5000K
	CRI (Ra)	>80
	Beam Angle	220 Degree
	Lamp Type	Replacement
	Base cap	E26
Electrical	Input Voltage	120V
	Frequency	60Hz
	Dimmable	Yes
	PF	≥0.7
	Dimming Range in %	20% ~ 80%
	Input Current	178mA
Physical	Operating Temperature	-20°C TO 40°C (Without Sensor)
	LED Type	2835 1W
	LED QTY	34PCS
	Housing	Plastic plated aluminium
	Lens Material	PC
Qualification	IP Rating	WET (IP65)
	Environmental	RoHS
	Lifetime	15,000hrs
	Warranty	3 years

Correlated Color Temperature (CCT)



Dimensions



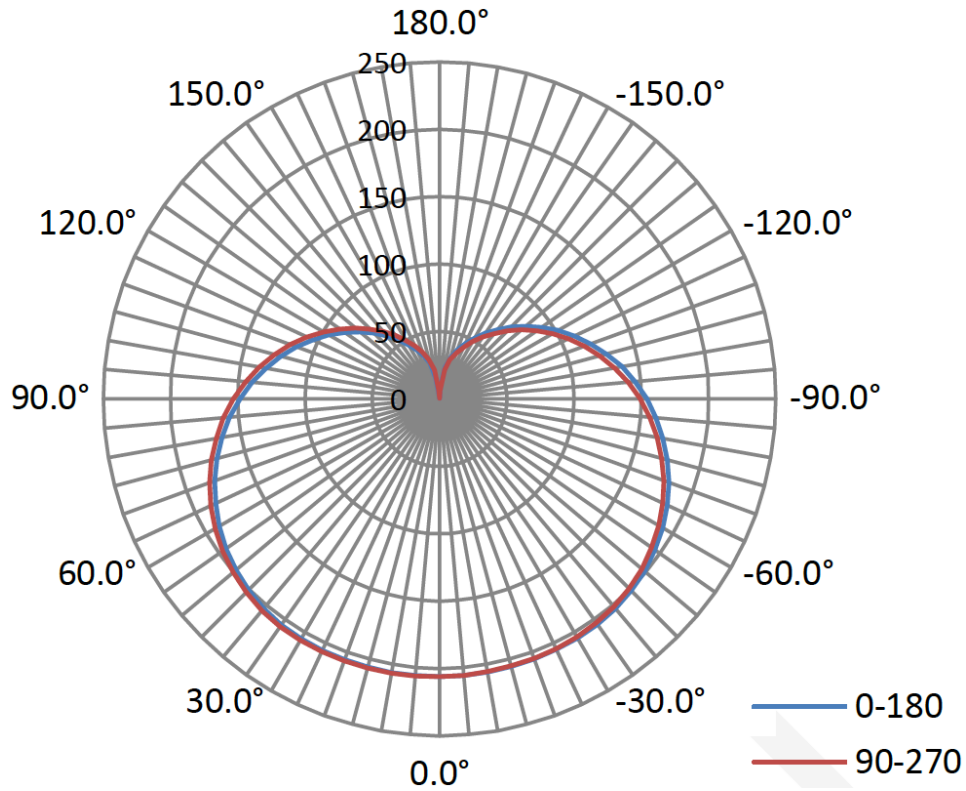
Luminous Intensity Distribution Curve



E26 Base



Photometric Data

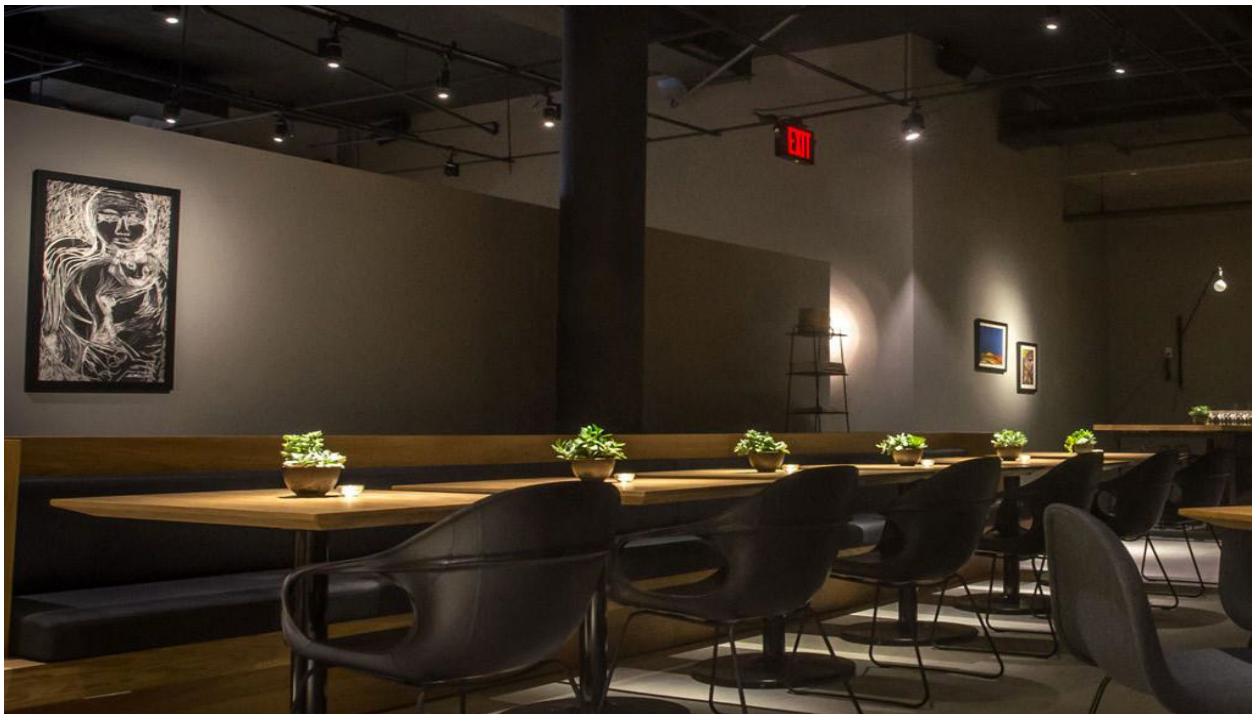


Packaging Info

Bracket Type	Carton Size	Qty/Box	G.W./Box
Inner Box	7.17 X 4.92 X 4.92 in	1 PC	1.07 lbs
Outer Box	20.50 X 15.20 X 5.90 in	8 PCS	8.6 lbs

Tolerance of Carton Size: ± 15 MM, Tolerance of Weight: $\pm 10\%$.

Application



Safety Precautions

To reduce the risk of death, personal injury or property damage from fire, electric shock, falling parts, cuts/abrasions, and other hazards read all warnings and instructions included with and on the fixture box and all fixture labels. Before installing, servicing, or performing routine maintenance upon this equipment, follow these general precautions. Commercial installation, service and maintenance of luminaires should be performed by a qualified licensed electrician.

For the installation: If you are unsure about the installation or maintenance of the luminaires, consult a qualified licensed electrician and check your local electrical code. To prevent wiring damage or abrasion, do not expose wiring to edges of sheet metal or other sharp objects. Do not make or alter any open holes in an enclosure of wiring or electrical components during kit installation.

WARNING: RISK OF FIRE OR ELECTRICAL SHOCK

Turn off electrical power at fuse or circuit breaker box before wiring fixture to the power supply. Turn off the power when you perform any maintenance. Verify that supply voltage is correct by comparing it with the luminaire label information. Make all electrical and grounded connections in accordance with the National Electrical Code and any applicable local code requirements. All wiring connections should be capped with UL approved wire connectors.

CAUTION: RISK OF INJURY

Avoid direct eye exposure to the light source while it is on. Account for small parts and destroy packing material, as these may be hazardous to children.

Warranty

3 Years Warranty