

# EMERGENCY LIGHTS

## Running Man Combo Exit Sign



### Product Features

- SKU # 1550391
- Output power: 4W
- Lumens: 150+lm
- CCT: 6000K-7000K
- Injection-molded thermoplastic ABS housing
- Charging Time: 24H
- Discharging Time: 90 MIN
- Input Volt: 120/347V/60Hz
- Battery: 3.6V 1000mAh Ni-Cd Battery
- IP Rating: IP20
- LED: 14 LEDS+2\*1.2W LED lamp head
- Certifications: UL Listed
- Warranty: (5 years warranty for the electrical parts and housing; 3 years warranty for battery)"

# EMERGENCY LIGHTS

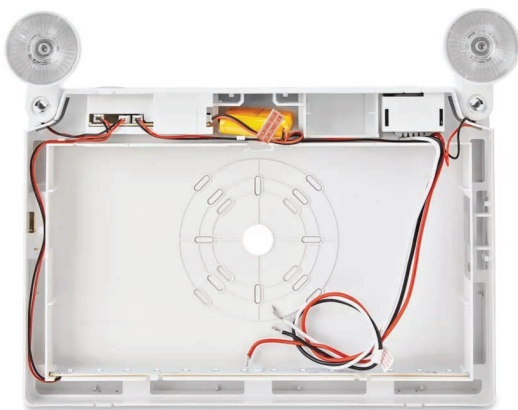
## Running Man Combo Exit Sign



SKU Number 1550391

### Specifications

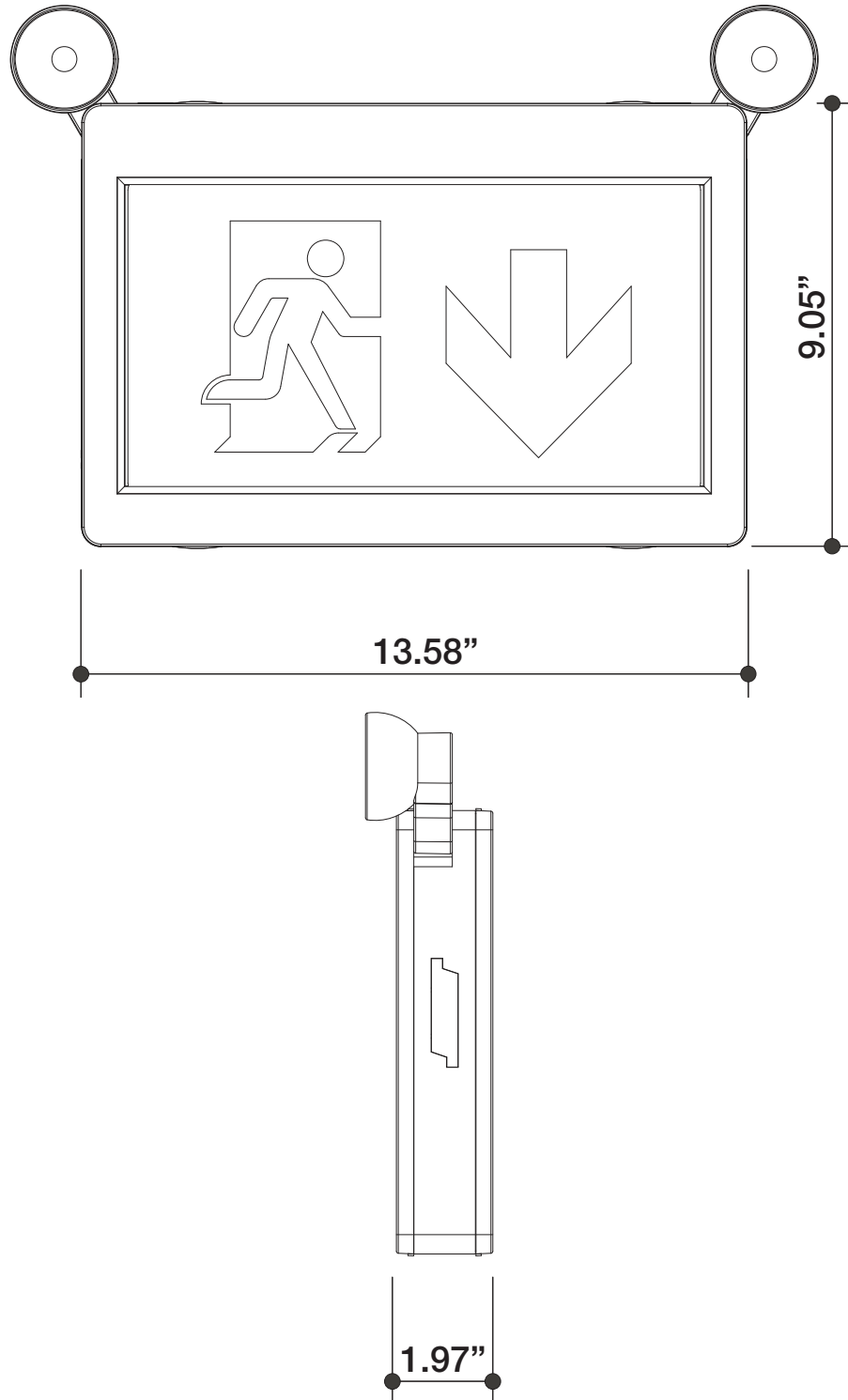
Parameter	Description	Value
General Performance	Model	JRMECW
	Mode of operation	Non-Maintained
	Supply Voltage	120/347V/60Hz
	Wattage	6W MAX
	Output Voltage	4.5VDC
	Output Power	4W
	Lumen Output	150+Lm
	Colour Temperature	6000K-7000K
	Battery	3.6V 1000mAh Ni-Cd Battery
	Max Charge Current (mA)	AC:110mA/DC:230mA
	Max Discharge Current (mA)	800mA
	Charging Time	24H
	Discharge Time	90Min
	LED	14 LEDs+2*1.2W LED lamp head
	Net Weight	2.7LBS
	Gross Weight	2.76LBS
	IP Rating	IP20
	Certification	UL Listed
Warranty	Five years warranty for the electrical parts and housing; Three years warranty for battery	



# EMERGENCY LIGHTS

## Running Man Combo Exit Sign

### Dimensions



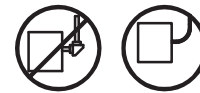
### Installation

### PICTOGRAM EXIT SIGN AND EMERGENCY LIGHT COMBINATION

## IMPORTANT SAFEGUARDS READ AND FOLLOW ALL SAFETY INSTRUCTIONS

1. Review the diagrams thoroughly before beginning.
2. All electrical connections must be in accordance with local codes, ordinances, and the National Electric code.
3. Disconnect power at fuse or circuit breaker before installing or servicing.
4. Do not use outdoors.
5. Do not mount in hazardous locations, or near gas or electric heaters.
6. Do not let power cords touch hot surface.
7. Equipment should be mounted in locations and at heights where it will not be subjected to tampering by unauthorized personnel.
8. The use of accessory equipment not recommend by the manufacturer may cause an unsafe condition.
9. Do not use this equipment for other than intended use.
10. All servicing should be performed by a qualified personnel only.
11. Allow battery to charge for 24 hours before first use.

Use Flexible Conduit Only



## SAVE THESE INSTRUCTIONS

### WIRING DIAGRAM (see Fig 1)

#### AC Wiring

Connect the white wire to neutral.

If using 120V, connect the black wire to the hot lead.

If using 347V, connect the red wire to the hot lead.

Cap the unused lead.

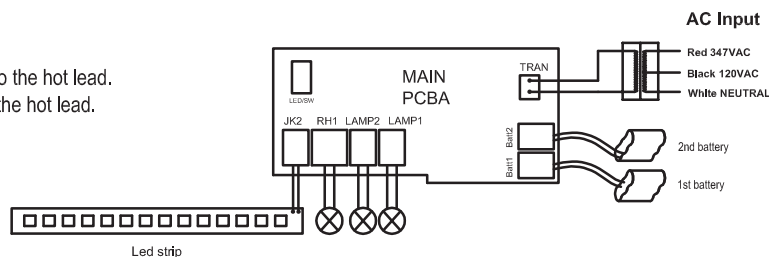
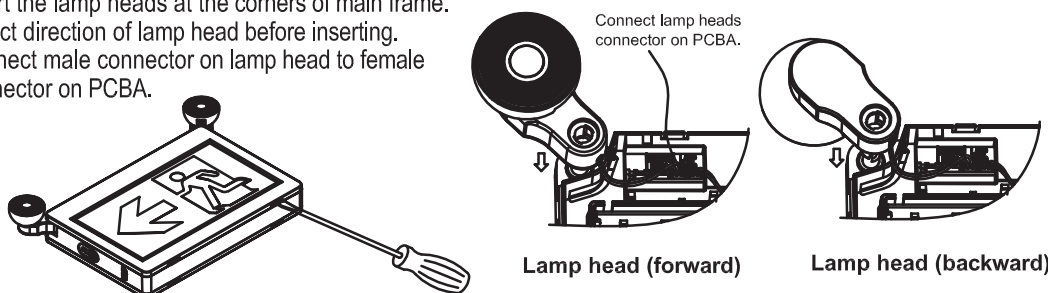


Fig 1

### Assembly Lamp Heads (see Fig 2)

1. Open front cover by flat screwdriver.
2. Insert the lamp heads at the corners of main frame. Select direction of lamp head before inserting.
3. Connect male connector on lamp head to female connector on PCBA.

Fig 2



### Installation

#### Mounting Instruction *The fixture suitable for wall mounting, side mounting, ceiling mounting.*

1. Open front cover and assemble 2 pcs lamp heads on the frame.
2. Knockout appropriate mount screw hole and cable hole, mount back plate on the wall after feed building AC supply cable into back plate(see Fig 3).
3. For ceiling and side mounting purpose, remove the mounting hole cover on the top or side of the unit, assemble the canopy (see Fig 4,5,6).
4. Attach crossbar to junction box, set the longer blade of crossbar touching the J-Box.
5. Route the proper wires through mounting hole out of housing.
6. Make electrical connections inside the J-Box as wiring diagram.
7. Push excess wire into J-Box, use screws tighten canopy to crossbar so that canopy is securely fastened and tight against the wall.
8. Attach battery connector to PC board, restore front cover on unit, adjust position of lamp heads as need.
9. If pictogram direction assembled not suitable, pictogram can take out for change direction or replace pictogram, and then insert into the diffuser easily(See Fig 7).

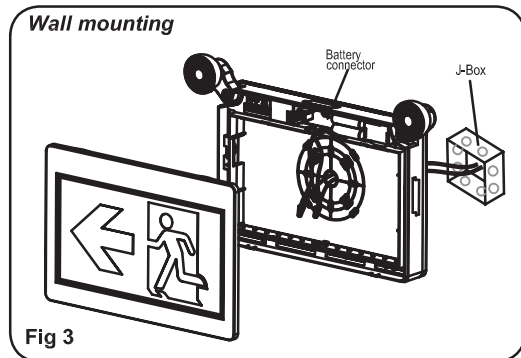


Fig 3

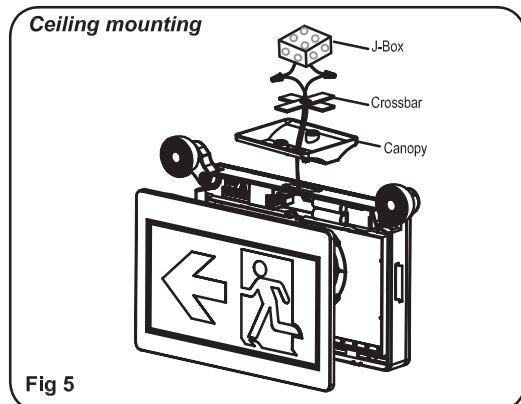


Fig 5

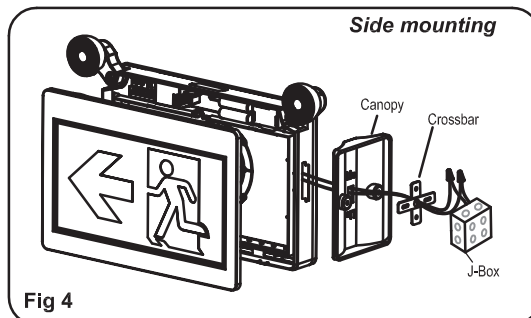


Fig 4

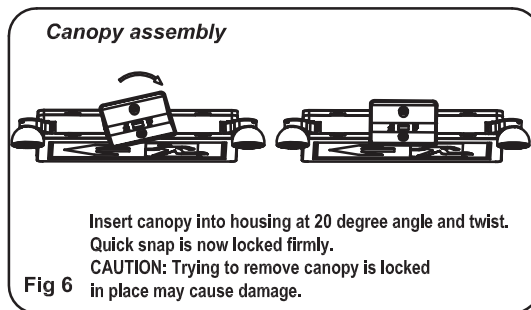


Fig 6

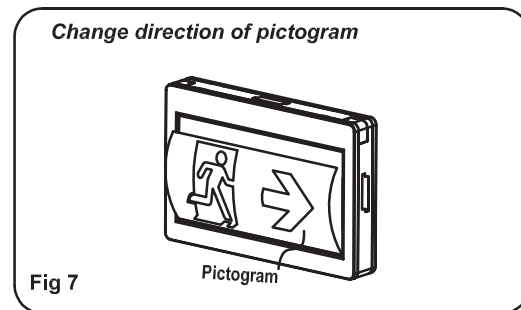


Fig 7

#### Connecting Remote Heads (see Fig 8)

Using 1pc battery, no remote capability.  
Using 2pcs battery with remote capability.  
Connect remote heads extension wire to remote wire, yellow is positive(+), purple is negative(-). connect wires using wire nuts.  
Remote capability reference below:  
KDR-880-(HO)2RC has max. 3.6V 2W remote capabilities.  
KDR-880-4RC has max. 3.6V 4W remote capabilities.

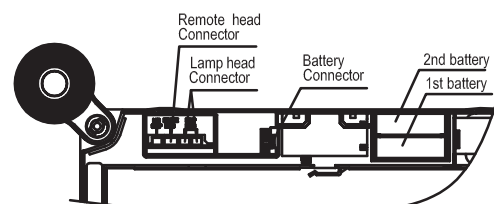


Fig 8

# EMERGENCY LIGHTS

## Running Man Combo Exit Sign



### Application Picture

### PACKAGE

Carton (Inch)	Qty / Carton	Net Weight / Carton	Gross Weight / Carton
14.37x9.76x6.14	2PC	5.51LBS	6.28LBS

### Warranty

Five years warranty for the electrical parts and housing;  
Three years warranty for battery.