

Nothing But LED's Canopy Light Luminaire offers exceptional performance, efficiency and a unique design. Features such as high lumens per watt, outstanding efficacy, and field serviceability, make it an ideal commercial canopy solution. The contractor-friendly LED canopy Light luminaire includes fasteners and a locking collar, making installation easy, secure and water-tight. It can be surface mounted easily from below the canopy deck and also has the ability to be pendant mounted.

Product Features

- Light is soft and uniform, safe to eyes.
- Input voltage 120-277VAC.
- Output constant current lever can be adjusted through output cable with 0-10V.
- No UV or IR in the beam.
- Easy to install and operate.
- Energy saving, long lifespan.
- LUMILEDS Chip, high CRI.
- Instant start, NO flickering, NO humming.
- Green and eco-friendly without mercury.
- UL & DLC Listed

LED CANOPY LIGHT



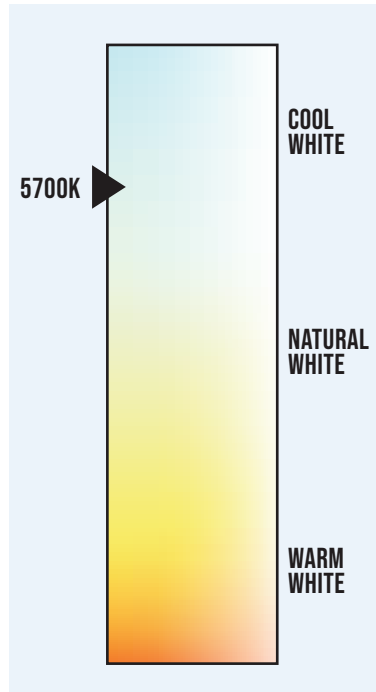
SKU #	Model #	Watt	Lumens	CCT	Housing	Input Voltage	Dimming	Certifications
1550386	BLT-CP06-150WW ASA1-WH57	150W	22290Lm	5700K	White	120-277V	0-10V	UL & DLC

SKU Number 1550386 Specifications

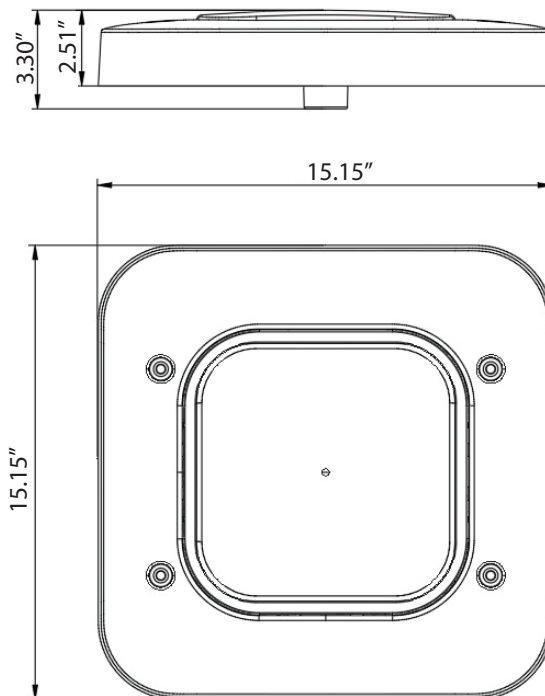
Parameter	Description	Value
General Performance	Model #	BLT-CP06-150WWASA1-WH57
	Wattage	150W
	Lumen	22290LM
	Lumen Efficacy	Up to 146LM/W
	Color Temperature	5700K
	CRI (Ra)	>80
	Beam Angle	120° Degree
	Diffuser Type	PC Lens
Electrical	Input Voltage	120-277Vac
	Frequency	50/60Hz
	THD	≤20%
	Dimming	0-10V
	Power Factor	≥0.9
	Driver Brand	TOSMART
	Driver Surge Protection	L-N 4KV,L/N-PE 4KV
	Flicker Percent	≤30%
Physical	Operating Temperature	-30°C - -50°C
	Operating Humidity	-40°C - 80°C
	Storage Temperature	20% - 90% RH
	Storage Humidity	10% - 95% RH
	LED Brand	LUMILEDS
	LED Type	SMD2835
	LED QTY	420 PCS
	Housing	Die-cast Aluminum
Housing Color	White	
IP Rating	WET (IP65)	
Qualification	Warranty	5 Years Warranty tt

LED CANOPY LIGHT

Correlated Color Temperature (CCT)



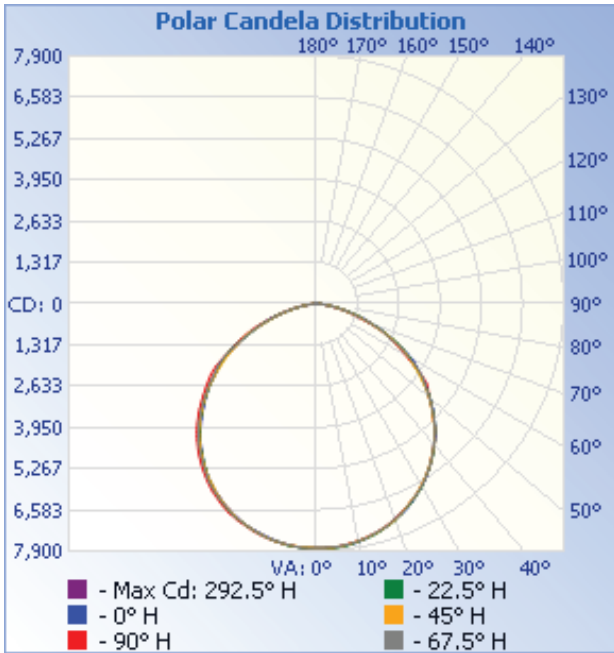
Dimensions



LED CANOPY LIGHT



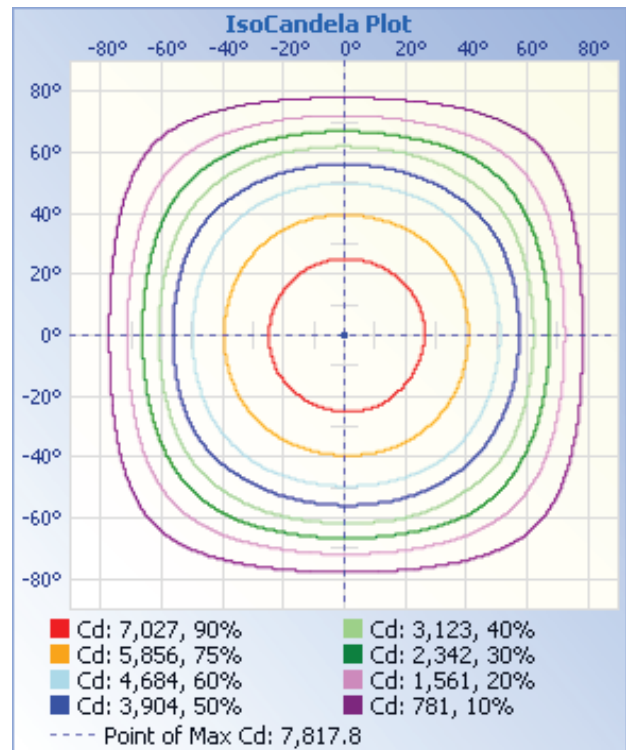
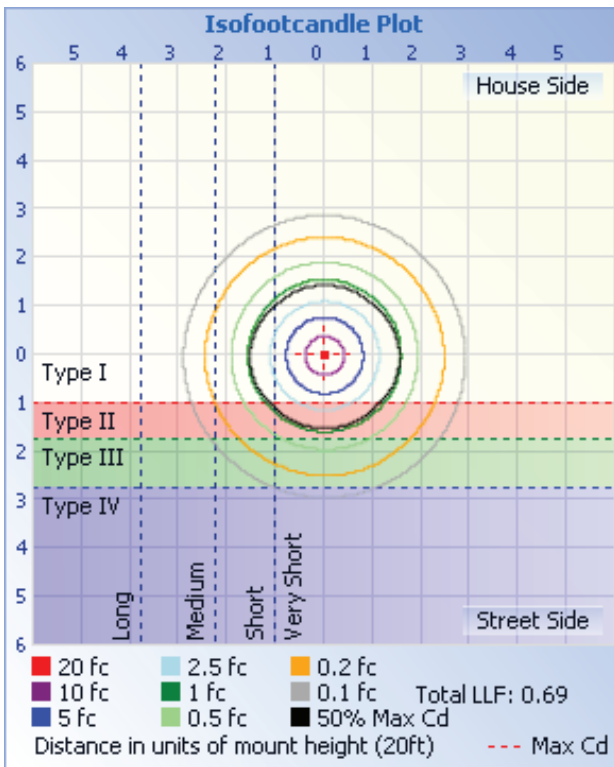
Photometric Data



Illuminance at a Distance

	Center Beam fc	Beam Width	
17.0ft	27.0 fc	50.6 ft	52.1 ft
34.0ft	6.75 fc	101.2 ft	104.3 ft
51.0ft	3.00 fc	151.8 ft	156.4 ft
68.0ft	1.69 fc	202.5 ft	208.5 ft
85.0ft	1.08 fc	253.1 ft	260.7 ft
102.0ft	0.75 fc	303.7 ft	312.8 ft

■ Vert. Spread: 112.2°
■ Horiz. Spread: 113.8°



Light Distribution Testing Parameters

Luminaire Property

Luminaire Manufacturer:

Luminaire Category:

Lamp Catalog:

Number of Lamps:

Luminous Length (mm): 240

Luminous Height (mm):

Current: 1.269 A

Power Factor: 0.994

Luminaire Description:

Lamp Description:

Lumens Per Lmap:

Luminous Width (mm): 240

Voltage: 120.0V

Power: 151.39W

Photometric Results

CIE Class: Direct

Measurement Flux: 21830.7 lm

Downward Ratio: 100%

Field Angle(C0.C180,C90/C270,C45/C225,C135/315): 155.5, 155.9, 155.5, 155.7

Beam Angle(C0/C180,C90/C270,C45/C225,C135/315): 113.8, 112.2, 111.1, 111.4

Luminaire Efficacy Rating ((LER): 144.25

Max. Intensity: 7817.76 cd

S/MH(C0/C180): 1.28

Total Rated Lamp Lumens: 21830.7 lm

Efficiency: 100%

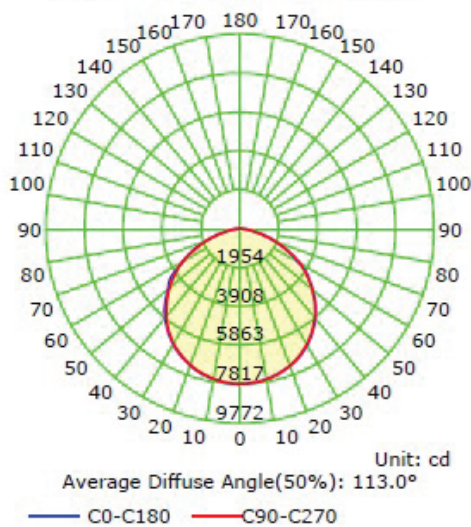
Upward Ratio: 0%

C0r0 Intensity: 7807.34 cd

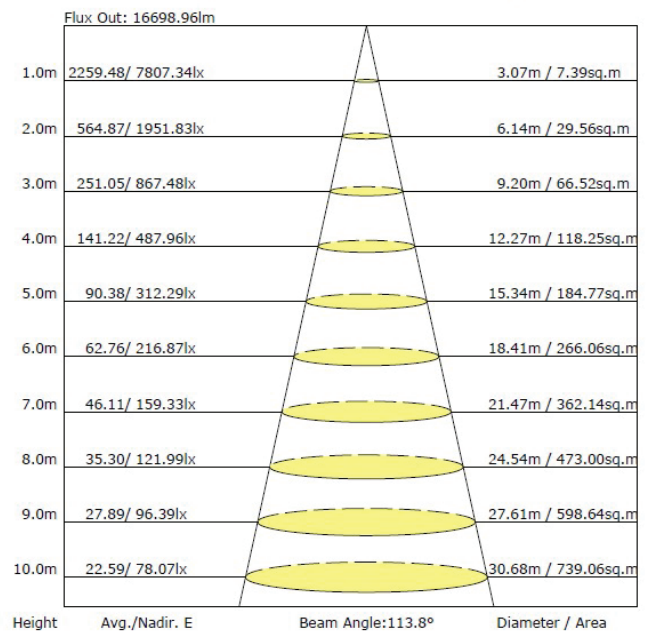
Pos of Max IntensityL H22.5 V1

S/MH(C90/C270): 1.27

Luminous Intensity Distribution Curve



The Average Illuminance Effective Figure



Installation

Cautions:

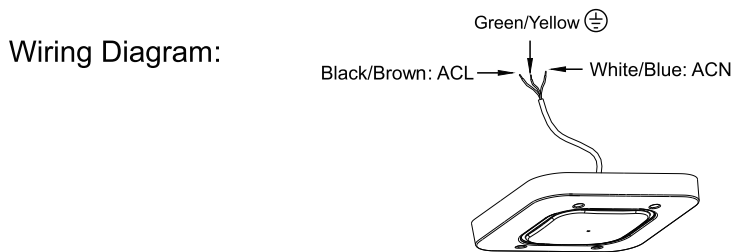
1. Can not use the electric generator to test the LED light.
2. Please abide by related country, regional and local law and regulations when install this fixture.
3. Please turn off the power before installation or maintenance.
4. Proper earth grounding is required to ensure safety.

Notice:

1. To avoid possibility of electrical shock or fire, the installation personnel must have professional electric knowledge.
2. Please wear gloves to avoid injury before installation.
3. If any smoke or spark of the wire happened, please turn off the power immediately and notify relevant personnel.

Attention:

1. Please check if there is any damage during shipping. If so, please contact manufacturer timely.
2. Please read the installation instruction carefully to check whether all the accessories are complete. After confirmation, then install the fixture according to installation steps.



Installation Method:

1. Fix one side of the accessory safety rope on the back of the fixture (Figure 1).

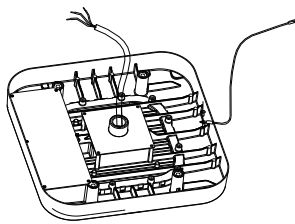


Figure 1

2. Use electric drill to set fixed holes through the ceiling (Figure 2).

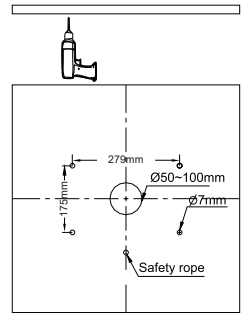


Figure 2

3. Fix another side of safety rope on the ceiling, then connect the wire of fixture to main supply according to local electrical connection mode, make sure good protection on the wire joint, after that, fix the fixture on the ceiling with accessory screws (Figure 3).

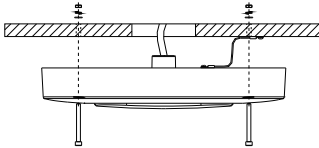


Figure 3

Notice For User

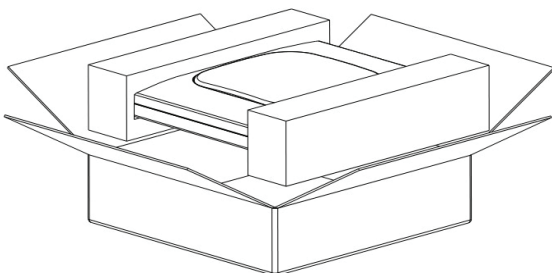
- Please turn off power before install or change assembly parts.
- The input voltage and luminaire should be matched, after connecting the power line. Please make sure the wiring section is insulated.
- No-professionals, must not install and disassemble the luminaire.

Trouble Shootings

Troubles	Check Points
Flickering of the light	Turn off the power and turn on again in 3 minutes. If same phenomena occur, then call agencies.
Out of working	Please check the connection.

Package

Bracket Type	Carton Size	Qty / Carton	Net Weight / Carton	Gross Weight / Carton
Outer box	16.73 x 16.53 x 4.72	1 Pc	4.2KG	4.9KG



LED CANOPY LIGHT



Application



Warranty

5 Years Warranty