

LED Landscaping Light

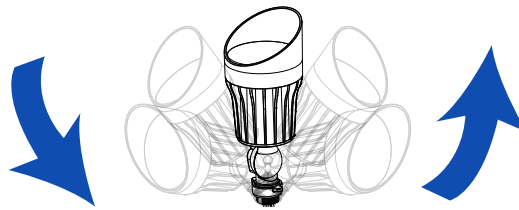


Nothing But LED's Landscaping lights are the best solutions to replace HID lamps. Superior performance and robust design make this product suitable for any general purpose landscape lighting application such as garden, signage, and accent lighting in heavy bridges.

- High Lumens per watt
- Easy to install and operate
- Ground Stake or Lawn Base options
- Wide rotation angle, flexible and convenient
- Durable, anti-aging, and resists damage
- Aluminum Alloy housing
- Good heat dissipation and anti-corrosion
- Optical-grade PC lampshade
- Transparent polycarbonate optical lens
- No UV or IR in the beam
- Strict waterproof and dustproof treatment for dry or wet locations
- Energy saving, long lifespan
- Light is soft and uniform, safe to eyes
- Instant start, NO flickering, NO humming
- Green and eco-friendly without mercury
- Universal 100-277Vac

SKU #	Model #	Watts	Lumens	CCT	Housing Color	Input Voltage	Mount
151734	BLT-CL-G70-DC-10W	10W	800Lm	3000K	Brown	12VAC/DC	Ground Stake
151735	BLT-CL-G70-AC-10W	10W	1000Lm	3000K	Brown	100-277Vac	Lawn Base

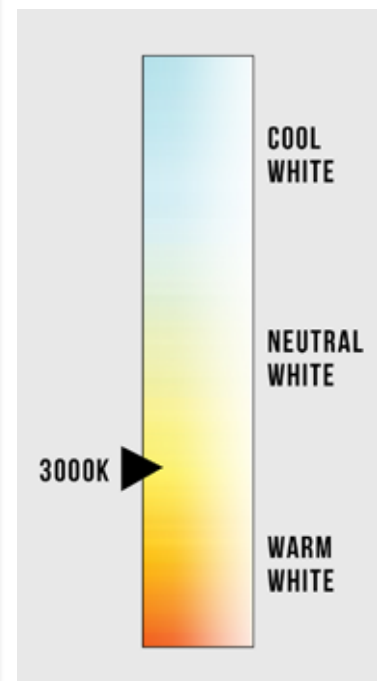
Wide rotation angle,
flexible and convenient



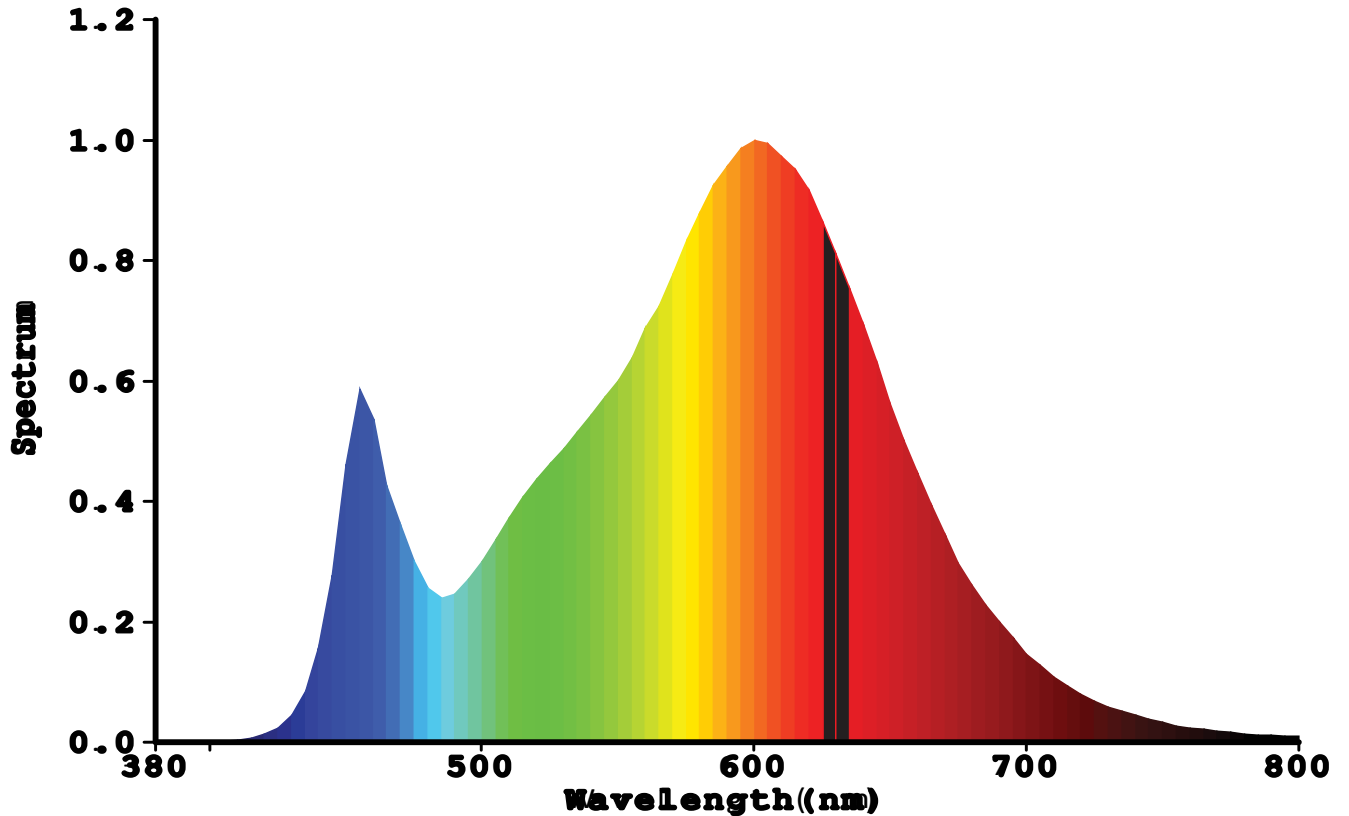
Specifications

Model:	BLT-CL-G70-DC-10W BLT-CL-G70-AC-10W
Color:	Brown
Driver:	Non-dimmable driver
Power:	10W
Voltage:	12VAC/DC 100-277VAC 50/60Hz
Product Size:	4.1339" X 2.7559" X 6.5748" 4.5276" X 2.7559" X 8.8583"
CRI:	Ra≥80
CCT:	3000K
Source:	COB
Beam Angle:	100°
Led Q'ty:	1 pcs
Applicable Environment:	Dry/wet location
Cover Type:	Transparent PC
Lumens:	800LM 1000LM
Light Efficacy:	up to 80Lm/W up to 100Lm/W ETL
Package:	4" X 3" X 8" 5" X 4" X 10"
Package Q'ty:	40pcs 12pcs

CORRELATED COLOR TEMPERATURE (CCT)



Distribution Diagram



Color Parameters:

Chromaticity Coordinate: $x=0.4316(dx=-0.0027)$ $y=0.3975(dy=-0.0057)$

Chromaticity Coordinate: $u'=0.2500$ $v'=0.5180(duv=-1.90e-03)$

Tc=3038K Dominant WL:Ld=583.4nm Purity=48.8% Centroid WL:588.0nm

Ratio:R=24.5% G=72.8% B=2.7% Peak WL:Lp=600.0nm HWL:122.8nm

Render Index:Ra=81.8

R1 =81 R2 =93 R3 =94 R4 =78 R5 =81 R6 =91 R7 =80

R8 =57 R9 =5 R10=83 R11=76 R12=70 R13=84 R14=97 R15=74

Photo Parameters:

Flux: 792.34 lm Fe: 2.4202 W Efficacy:82.26 lm/W

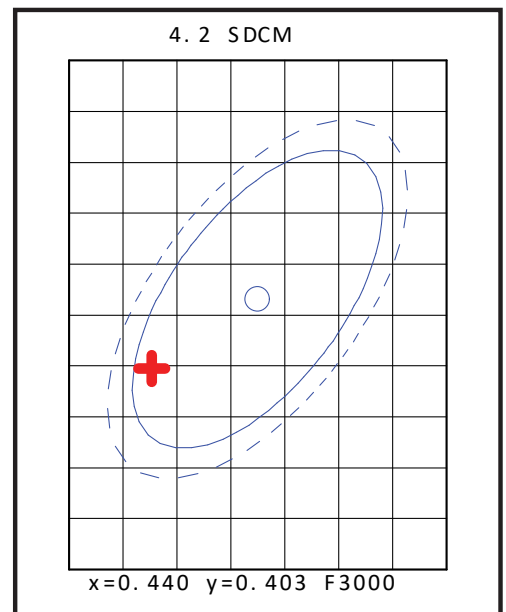
Electrical Parameters:

Luminaire: U=110.2V I=0.08883A P=9.632W PF=0.9835

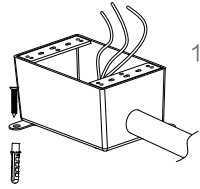
Instrument Status:

Scan Range:380.0nm-800.0nm Interval:5.0nm[0] Ip=33037(G=5,D=58)

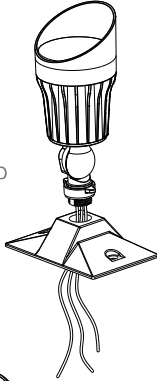
REF=27248(R=3)%=-0.224% PMT: 30.4 centigrade [150.0]



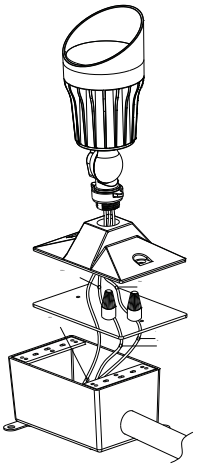
Installation



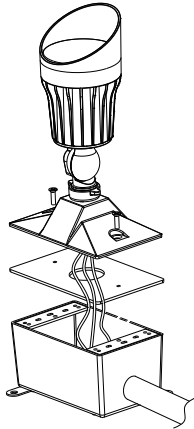
1. Connect the power cable to junction box, then fixed junction box.



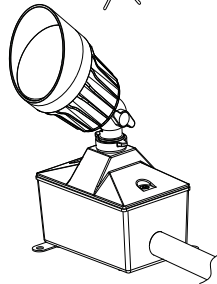
2. Installed the lamp on the base.



3. Connect the power cord.



4. fixed light fixture.



5. Adjust the angle of light fixture.



Warning: Risk of electrical shock

Turn off electrical power at fuse or circuit breaker box before wiring fixture to the power supply ; Verify that supply voltage is within right and reasonable limits. Connect the fixture with 100-277V 50/60Hz power supply; Make all electrical and grounded connections in accordance with the National Electrical Code and applicable local code requirements ; All wiring connections should be capped with UL approved wire connections.

Warning: Risk of burn

Wear gloves and safety glasses at all times when moving luminaire from carton, installing, servicing or performing maintenance; Avoid direct eye exposure to the light source while it is on. LED lights are very bright. Do not stare LED light beam in any case. Or this may cause irreparable damage to the eyes.; Allow fixture to cool before handling.

Do not touch enclosure or light source; Do not exceed maximum wattage marked on luminaire label.

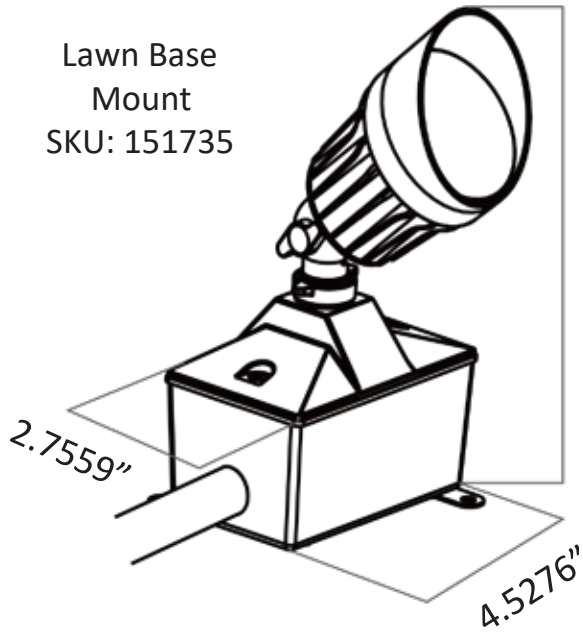
Warning: beware of fire

Keep combustible and other materials that can burn away from lamp/lens.

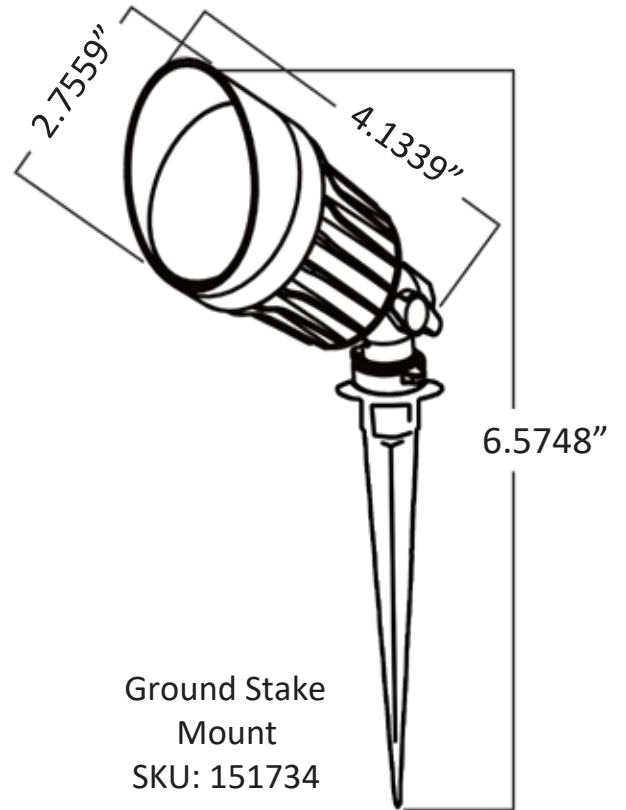


Dimensions

Lawn Base
Mount
SKU: 151735

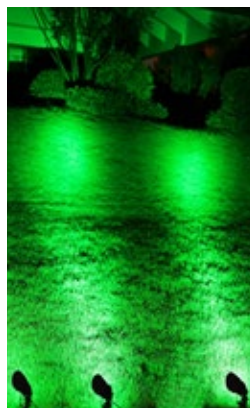
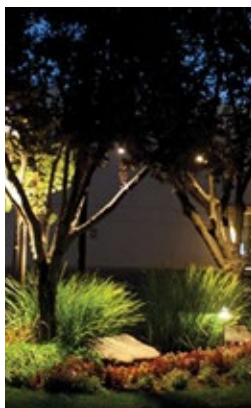
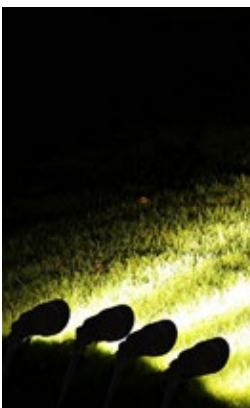
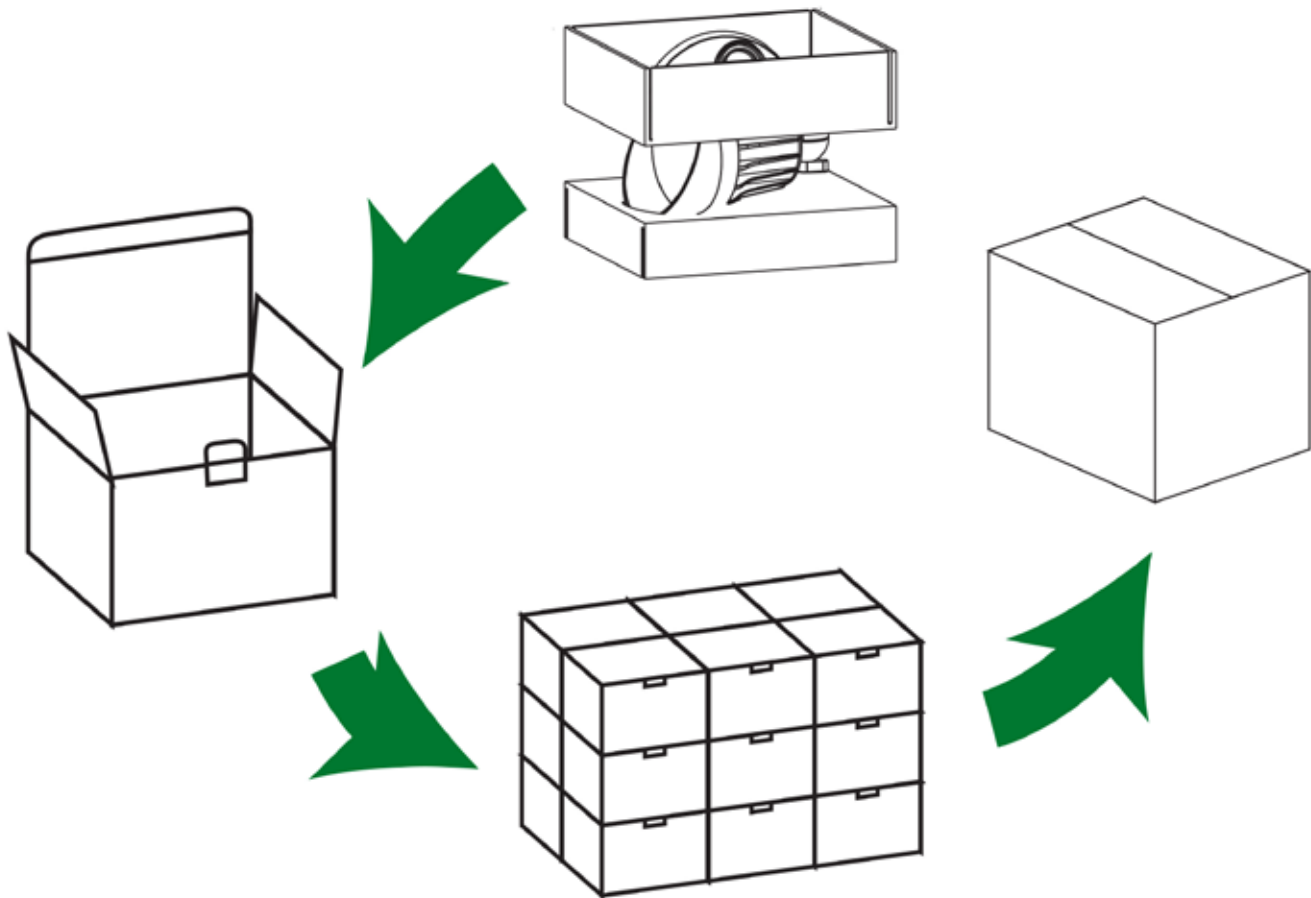


Ground Stake
Mount
SKU: 151734



Packaging

SKU #	Mount	Pcs/Box	Dimensions	Weight	Pallet Quantity	Pallet Weight	Pallet Dimensions
151734	Ground Stake	4	-	- Lb			
151735	Lawn Base	4	-	- Lb			



Application



User Notice

- Please turn off the power before installing or changing assembly parts.
- The input voltage and lamps should be matching. Before connecting the power line, please make sure the wiring section is insulated.
- Only professionals should install and disassemble the lamps.

Trouble Shooting

- Flickering light - Turn off the power and turn on again in 3 minutes. If the same phenomena occurs, then call Support.
- Not working - Please check all power connections.