



Our LED Down Light is economical and is equipped with a smooth trim that fits most manufacturer's 5" and 6" recessed can-style housings. It utilizes adjustable torsion springs, can be dimmed down to 10%, and maintains 70% light output after 35,000 hours of use. This makes it perfect for applications such as multi-family residences, retail shops and offices. An E26 adapter is included.

Product Features

- Compatible with IC and non-IC rated air-tight recessed housings and is Energy Star qualified
- Illuminates down to 10% with most electronic dimmers
- Built-in driver
- Durable thermoplastic construction
- Long life, 35,000 Hour LEDs at L70 reduces life cycle maintenance costs
- UL & Energy Star Certified
- 5 Years Warranty

LED DOWN LIGHT

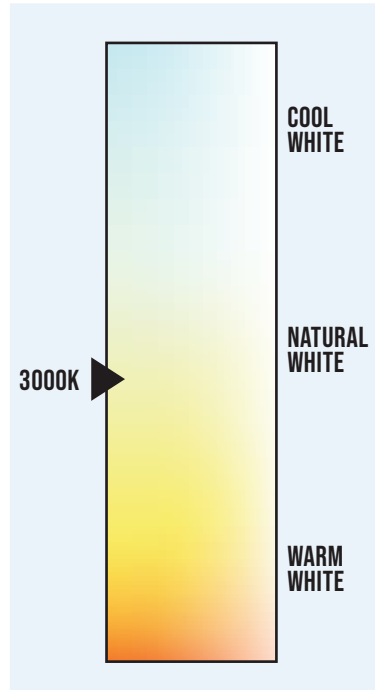


| SKU # | Model # | Watt | Lumens | CCT | Fits | Housing | Input Voltage | Dimming | Certifications |
|---------|--------------------|------|--------|-------|-------|---------|---------------|---------|----------------|
| 1510064 | BLT-DL6DWP-18W-30K | 18W | 1200Lm | 3000K | 5"-6" | White | 120V | Yes | UL & ES |

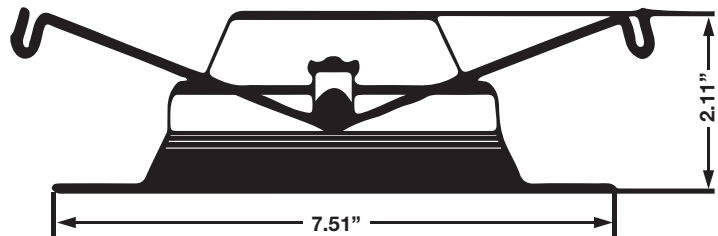
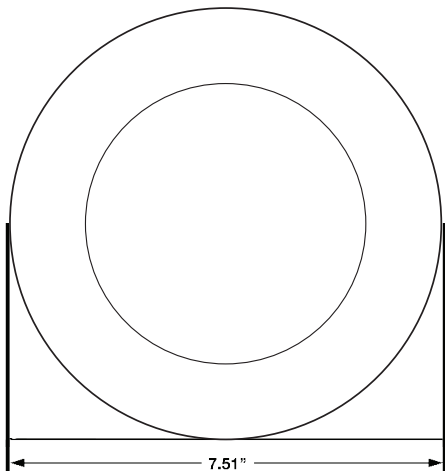
SKU Number 1510064 Specifications

| Parameter | Description | Value |
|---------------------|-----------------------|--------------------|
| General Performance | Model # | BLT-DL6DWP-18W-30K |
| | Wattage | 18W |
| | Lumen | 1200LM |
| | Lumen Efficacy | Up to 66LM/W |
| | Color Temperature | 3000K |
| | CRI (Ra) | >80 |
| | Beam Angle | 100° Degree |
| | Diffuser Type | PC Lens |
| Electrical | Input Voltage | 120V |
| | Frequency | 60Hz |
| | Dimming | Yes |
| | Power Factor | ≥0.7 |
| | Operating Temperature | -20°C TO 40°C |
| Physical | Operating Humidity | 25% - 93% RH |
| | Storage Temperature | -20°C - 60°C |
| | Storage Humidity | 25% - 93% RH |
| | LED Brand | Bridgelux |
| | LED Type | SMD |
| | LED QTY | 30 Pcs |
| Qualification | Housing | Aluminum |
| | Housing Color | White |
| | IP Rating | IP44 |
| | Warranty | 5 Years Warranty |

Correlated Color Temperature (CCT)

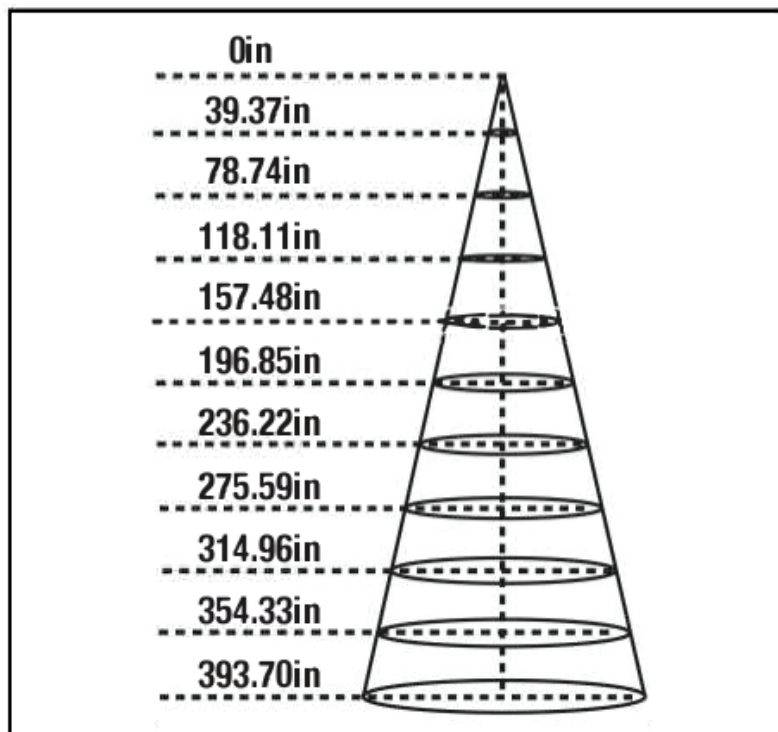
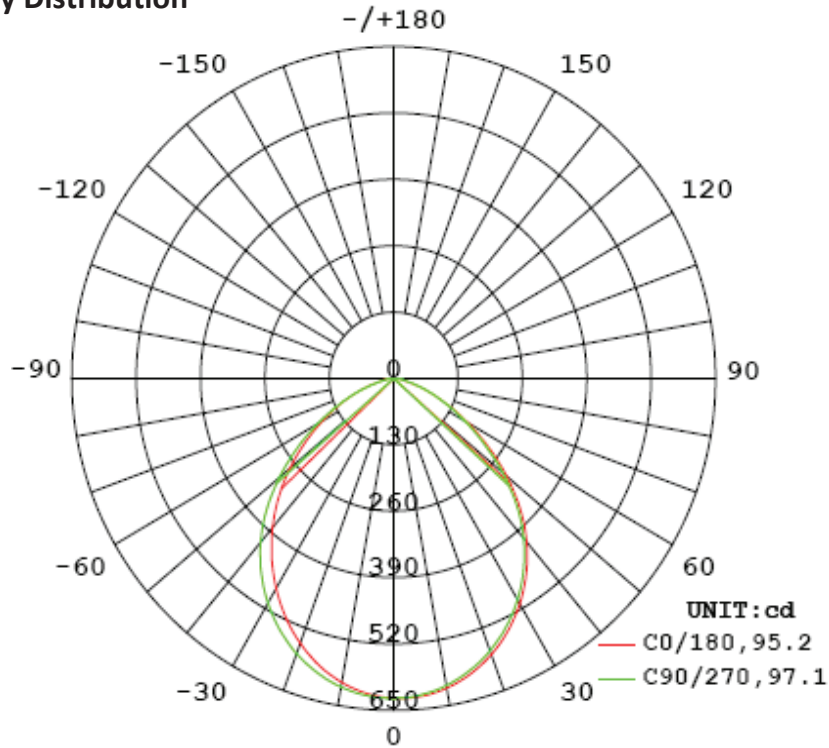


Dimensions



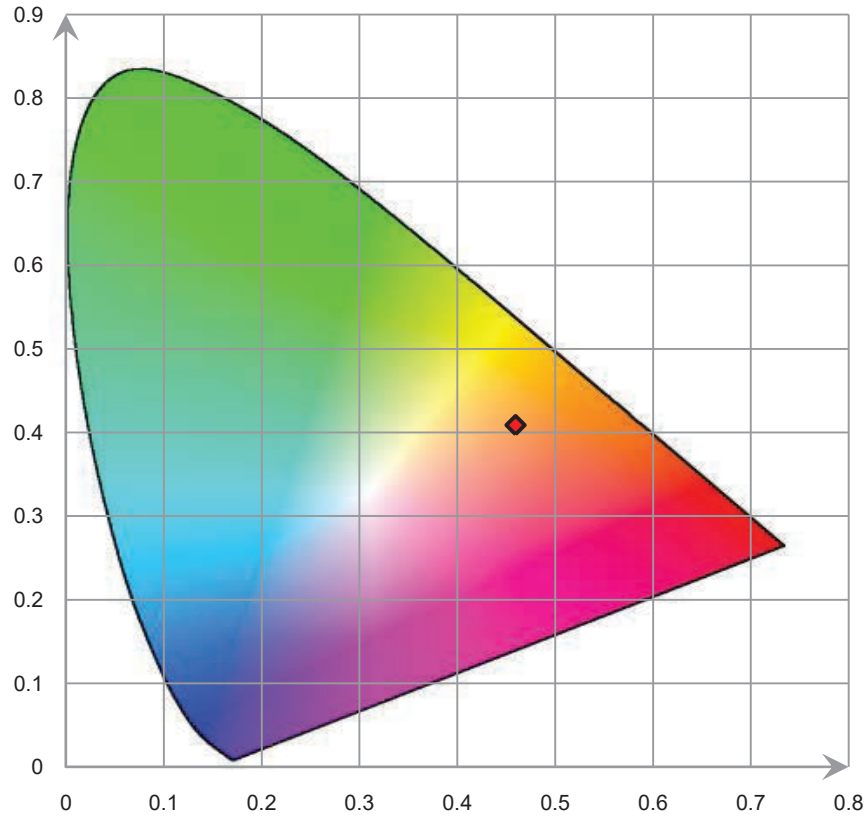
Photometric Data

Luminous Intensity Distribution

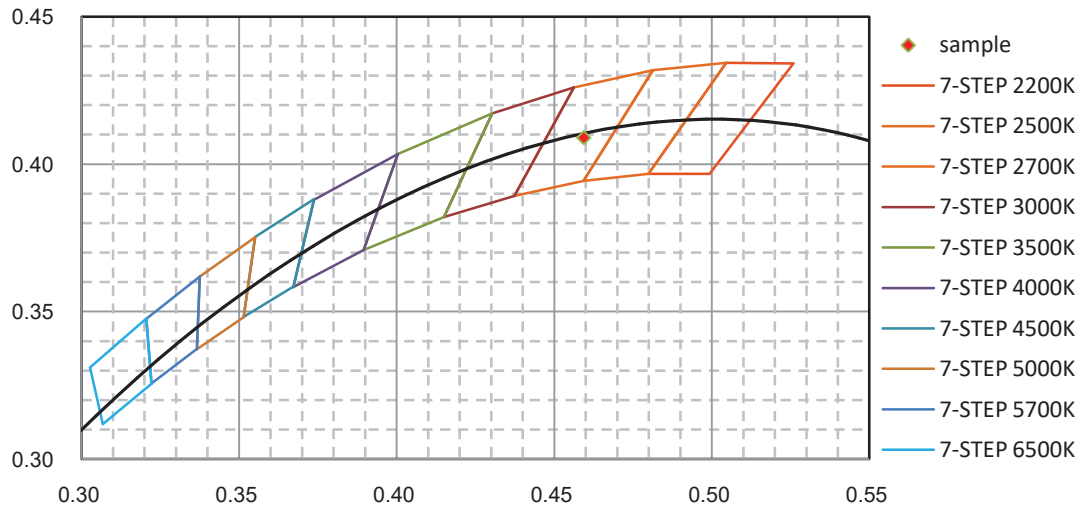


Photometric Data

CIE 1931 x y Chromaticity Diagram



7-Step Chromaticity Quadrangles

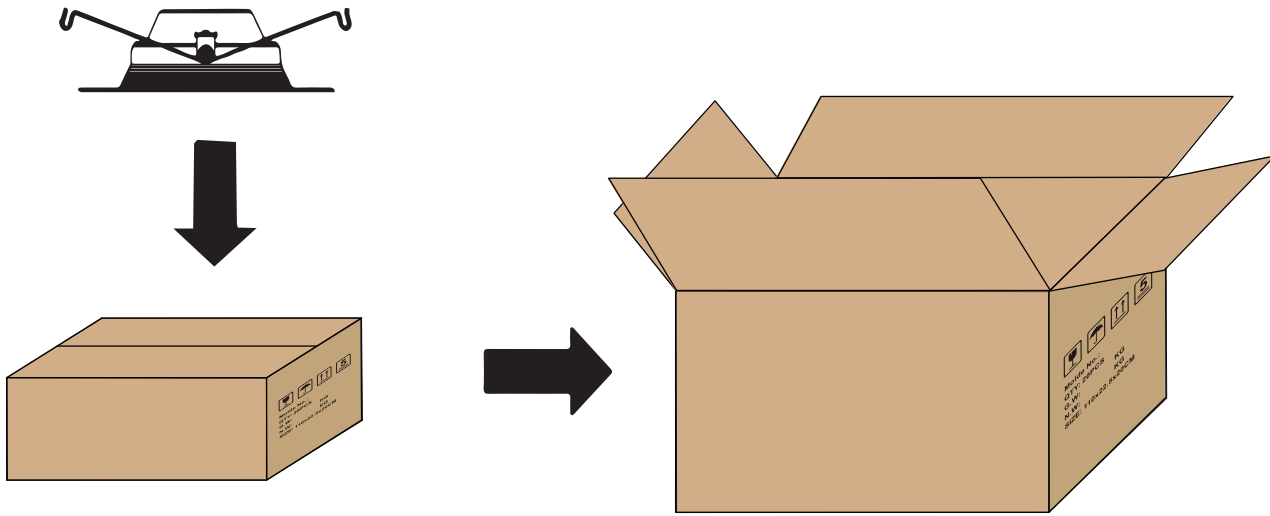


LED DOWN LIGHT



Packaging

| Box Type | Size (Inches) | Qty / Carton | Weight / Carton |
|-----------|----------------------|--------------|-----------------|
| Inner Box | 8.07 x 7.68 x 2.87 | 1 | 0.5LBS |
| Outer Box | 18.19 x 16.73 x 8.46 | 12 | 8LBS |



Installation

The retrofit kit including LED Lamp and an installation instruction. Please check these items when unpackaging.

The units covered in this report are intended to retrofit Type IC or Non-IC covered ceiling recessed luminaire with through-branch wiring marked "Max. 8 of 12 AWG conductors" with instructions to remove the existing trim and diffuser.

WARNING

WARNING — Risk of fire or electric shock. LED Retrofit Kit installation requires knowledge of luminaires electrical systems. If not qualified, do not attempt installation. Contact a qualified electrician.

WARNING — Risk of fire or electric shock. Install this kit only in the luminaires that have the construction features and dimensions shown in the photographs and/or drawings and where the input rating of the retrofit kit does not exceed the input rating of the luminaire.

Do not make or alter any open holes in an enclosure of wiring or electrical components during kit installation.

WARNING — To prevent wiring damage or abrasion, do not expose wiring to edges of sheet metal or other sharp objects.

MIN. LAMP COMPARTMENT DIMENSIONS 163(DIA) X 185(H) mm"or "MIN. LAMP COMPARTMENT DIMENSIONS 141(DIA) X 195(H) mm

"SUITABLE FOR WET LOCATIONS".

WARNING —Risk of fire or electric shock. Do not alter, relocate, or remove wiring, lam-pholders, power supply, or any other electrical component.

THE RETROFIT KIT IS ACCEPTED AS A COMPONENT OF A LUMINAIRE WHERE THE SUITABILITY OF THE COMBINATION SHALL BE DETERMINED BY AUTHORITIES HAVING JURISDICTION.

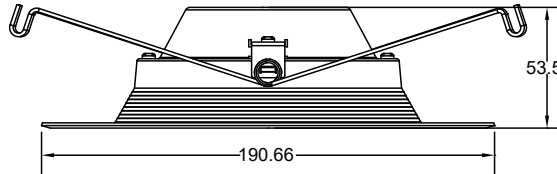
THIS DEVICE IS NOT INTENDED FOR USE WITH EMERGENCY EXITS.

Electrical parameters:

| Model No. | Input voltage (V) | Input Frequency (Hz) | Input Current (mA) | Input Watts (W) |
|---------------------------|-------------------|----------------------|--------------------|-----------------|
| BLT-DL6DWP-18W | 120 | 60 | 210 | 18 |
| BLT-DL6DWP-18W-30K | 120 | 60 | 210 | 18 |

Installation

Product size:
Unit: mm



Dimension tolerance: ± 1.5 mm

Installation steps:

STEP 1:

Turn off the power before installation, Remove the diffuser existing bulb if necessary and remove the existing trim. Attach the relamping label to the inside of recessed luminaire housing.

STEP 2:

As shown in Figure 1
Twist the lamp base into
the lamp holder.

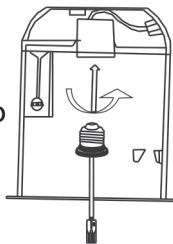


Figure 1

STEP 3:

As shown in Figure 2
Connected the lamp
connector with
lamp base connector.

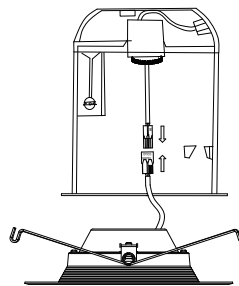
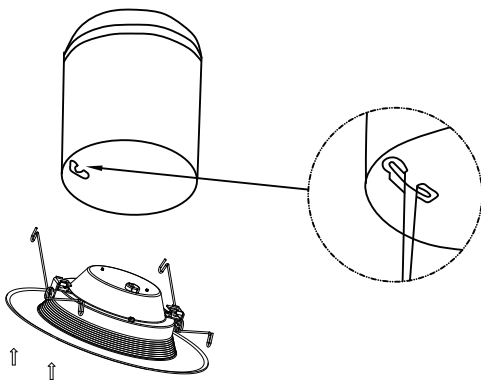


Figure2

STEP 4:

As shown in Figure 3

The lamp at both ends of the spring are arranged inside the lamp holder bayonet, (as shown in Figure 3) through the spring pressing on both sides, so that it can be on both sides of the bayonet



STEP 5:

As shown in Figure 4

Push the LED retrofit trim into the recessed light fixture, allowing the torsion springs to pull the LED trim up into the recessed light fixture. Continue to push the LED trim until its outer edge is flush against the ceiling surface.

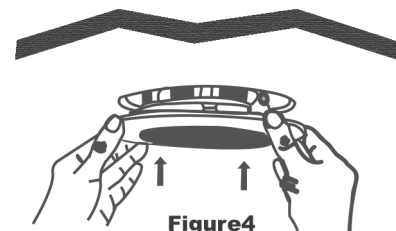


Figure4

Application Images

