

# LED COMMERCIAL DOWNLIGHTS



Nothing But LED's Commercial-Grade retrofit downlights are the most innovative and feature rich product of its kind. This new 2023 model offers CCT adjustable 2700K / 3K / 3500K / 4K / 5K and wattage adjustable. The LED Commercial Down Light produces lumens up to 4000Lm, which is perfect for ceilings up to 16ft height. Commercial-Grade retrofit downlight is perfect for retrofit or new construction.

## Product Features

Up to 110 lumens per watt

Wattage Adjustable

CCT adjustable 2700K / 3K / 3500K / 4K / 5K

Available in 4", 6" & 8"

Integral heat sink

Input Voltage 120-347Vac

0-10V Dimming capability

ETL & ES Listed

5 Years Warranty

# LED COMMERCIAL DOWNLIGHTS



| SKU #   | Model #         | Wattage Adj. | Lumens | CCT Adj.                     | Size | Input Voltage | Dimming | Certifications |
|---------|-----------------|--------------|--------|------------------------------|------|---------------|---------|----------------|
| 1560668 | FXF01001-A-A001 | 9W/13W/18W   | 2110Lm | 2700K / 3K / 3500K / 4K / 5K | 4"   | 120-347Vac    | 0-10V   | ETL & ES       |
| 1560644 | FXF01002-A-A001 | 13W/19W/27W  | 3000Lm | 2700K / 3K / 3500K / 4K / 5K | 6"   | 120-347Vac    | 0-10V   | ETL & ES       |
| 1560669 | FXF01003-A-A001 | 18W/27W/36W  | 4000Lm | 2700K / 3K / 3500K / 4K / 5K | 8"   | 120-347Vac    | 0-10V   | ETL & ES       |

## SKU #. 1560668 / 4" Specifications

| Parameter           | Description             | Value                                 |
|---------------------|-------------------------|---------------------------------------|
| General Performance | Model #                 | FXF01001-A-A001                       |
|                     | Wattage Adjustable      | 9W / 13W / 18W                        |
|                     | Lumen                   | 2110LM                                |
|                     | Lumen Efficacy          | Up to 110LM/W                         |
|                     | Color Temperature       | 2700K / 3000K / 3500K / 4000K / 5000K |
|                     | CRI (Ra)                | >80                                   |
|                     | Beam Angle              | 120° Degree                           |
|                     | Diffuser Type           | PC Lens                               |
| Electrical          | Input Voltage           | 120-347Vac                            |
|                     | Frequency               | 50/60Hz                               |
|                     | Dimming                 | 0-10V Dimming                         |
|                     | Power Factor            | ≥0.9                                  |
|                     | Driver Surge Protection | N/A                                   |
|                     | Flicker Percent         | <30%                                  |
| Physical            | Operating Temperature   | -20°C to 45°C                         |
|                     | Operating Humidity      | N/A                                   |
|                     | Storage Temperature     | -25°C to 40°C                         |
|                     | Storage Humidity        | N/A                                   |
|                     | LED Brand               | Seoul / Everlight                     |
|                     | LED Type                | LED Built-in                          |
|                     | LED QTY                 |                                       |
|                     | Housing                 | AL                                    |
| Housing Color       | White                   |                                       |
| Qualification       | IP Rating               | Damp Location                         |
|                     | Warranty                | 5 Years Warranty                      |

# LED COMMERCIAL DOWNLIGHTS

SKU #. 1560644 / 6"

## Specifications

| Parameter           | Description             | Value                                 |
|---------------------|-------------------------|---------------------------------------|
| General Performance | Model #                 | FXF01002-A-A001                       |
|                     | Wattage Adjustable      | 13W / 19W / 27W                       |
|                     | Lumen                   | 3000M                                 |
|                     | Lumen Efficacy          | Up to 110LM/W                         |
|                     | Color Temperature       | 2700K / 3000K / 3500K / 4000K / 5000K |
|                     | CRI (Ra)                | >80                                   |
|                     | Beam Angle              | 110° Degree                           |
|                     | Diffuser Type           | PC Lens                               |
| Electrical          | Input Voltage           | 120-347Vac                            |
|                     | Frequency               | 50/60Hz                               |
|                     | Dimming                 | 0-10V Dimming                         |
|                     | Power Factor            | ≥0.9                                  |
|                     | Driver Surge Protection | N/A                                   |
|                     | Flicker Percent         | <30%                                  |
| Physical            | Operating Temperature   | -20°C to 40°C                         |
|                     | Operating Humidity      | N/A                                   |
|                     | Storage Temperature     | -25°C to 40°C                         |
|                     | Storage Humidity        | N/A                                   |
|                     | LED Brand               | Seoul / Everlight                     |
|                     | LED Type                | LED Built-in                          |
|                     | LED QTY                 | 64 Pcs                                |
|                     | Housing                 | AL                                    |
|                     | Housing Color           | White                                 |
| Qualification       | IP Rating               | Damp Location                         |
|                     | Warranty                | 5 Years Warranty                      |

# LED COMMERCIAL DOWNLIGHTS



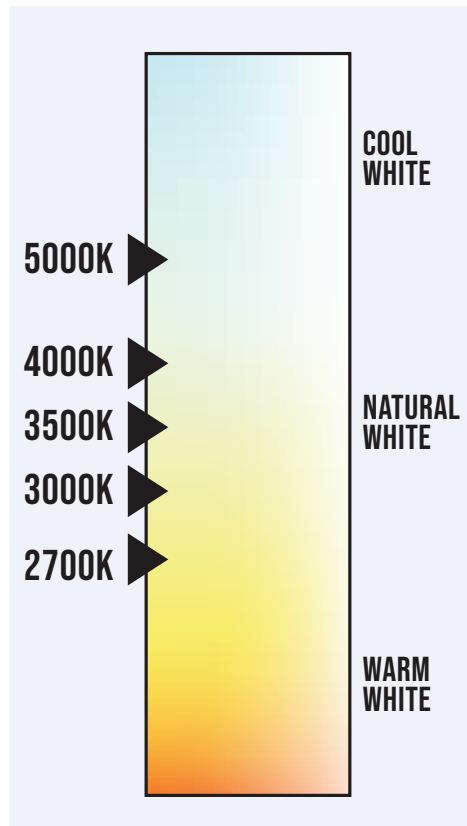
SKU #. 1560669 / 8"

## Specifications

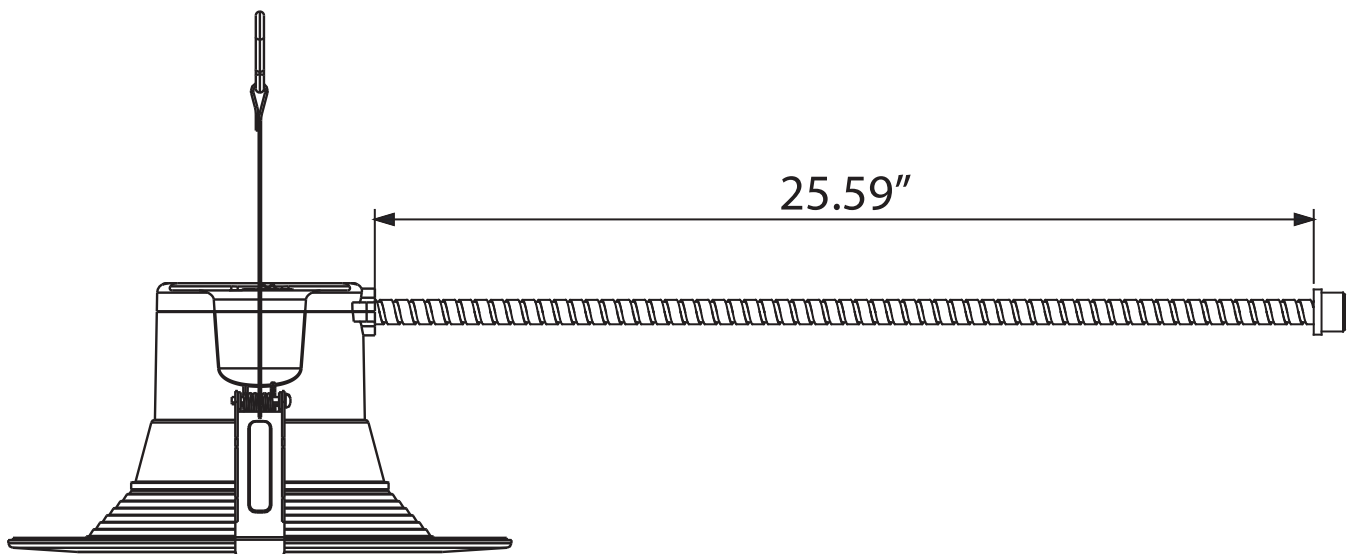
| Parameter           | Description             | Value                        |
|---------------------|-------------------------|------------------------------|
| General Performance | Model #                 | FXF01003-A-A001              |
|                     | Wattage Adjustable      | 18W / 27W / 36W              |
|                     | Lumen                   | 4000M                        |
|                     | Lumen Efficacy          | Up to 110LM/W                |
|                     | Color Temperature       | 2700K / 3K / 3500K / 4K / 5K |
|                     | CRI (Ra)                | >80                          |
|                     | Beam Angle              | 110° Degree                  |
|                     | Diffuser Type           | PC Lens                      |
| Electrical          | Input Voltage           | 120-347Vac                   |
|                     | Frequency               | 50/60Hz                      |
|                     | Dimming                 | 0-10V Dimming                |
|                     | Power Factor            | ≥0.9                         |
|                     | Driver Surge Protection | N/A                          |
|                     | Flicker Percent         | <30%                         |
| Physical            | Operating Temperature   | -20°C to 45°C                |
|                     | Operating Humidity      | N/A                          |
|                     | Storage Temperature     | -25°C to 40°C                |
|                     | Storage Humidity        | N/A                          |
|                     | LED Brand               | Seoul / Everlight            |
|                     | LED Type                | LED Built-in                 |
|                     | LED QTY                 |                              |
|                     | Housing                 | AL                           |
|                     | Housing Color           | White                        |
| Qualification       | Rating                  | Damp Location                |
|                     | Warranty                | 5 Years Warranty             |

# LED COMMERCIAL DOWNLIGHTS

## Correlated Color Temperature (CCT)

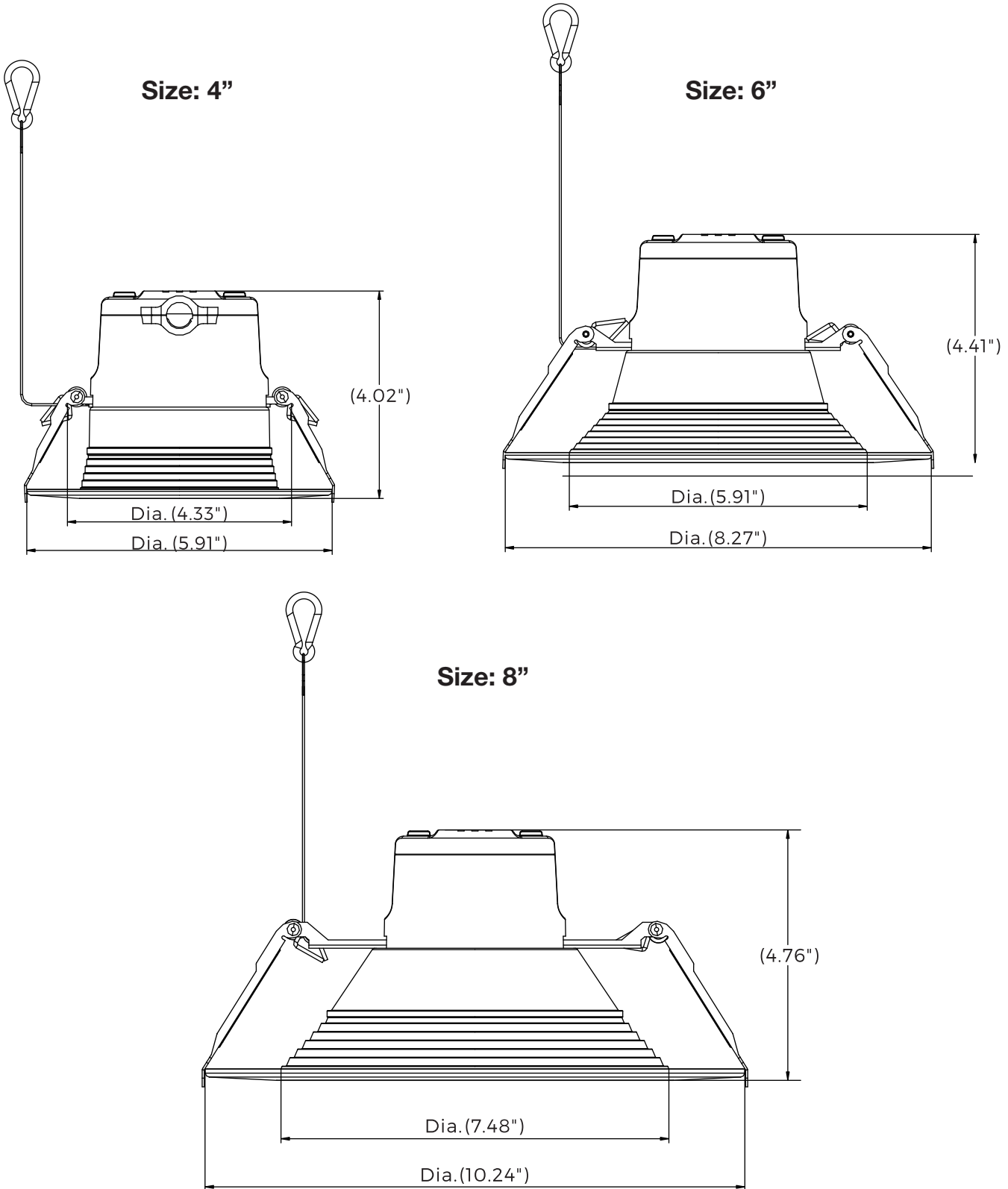


## Dimensions



# LED COMMERCIAL DOWNLIGHTS

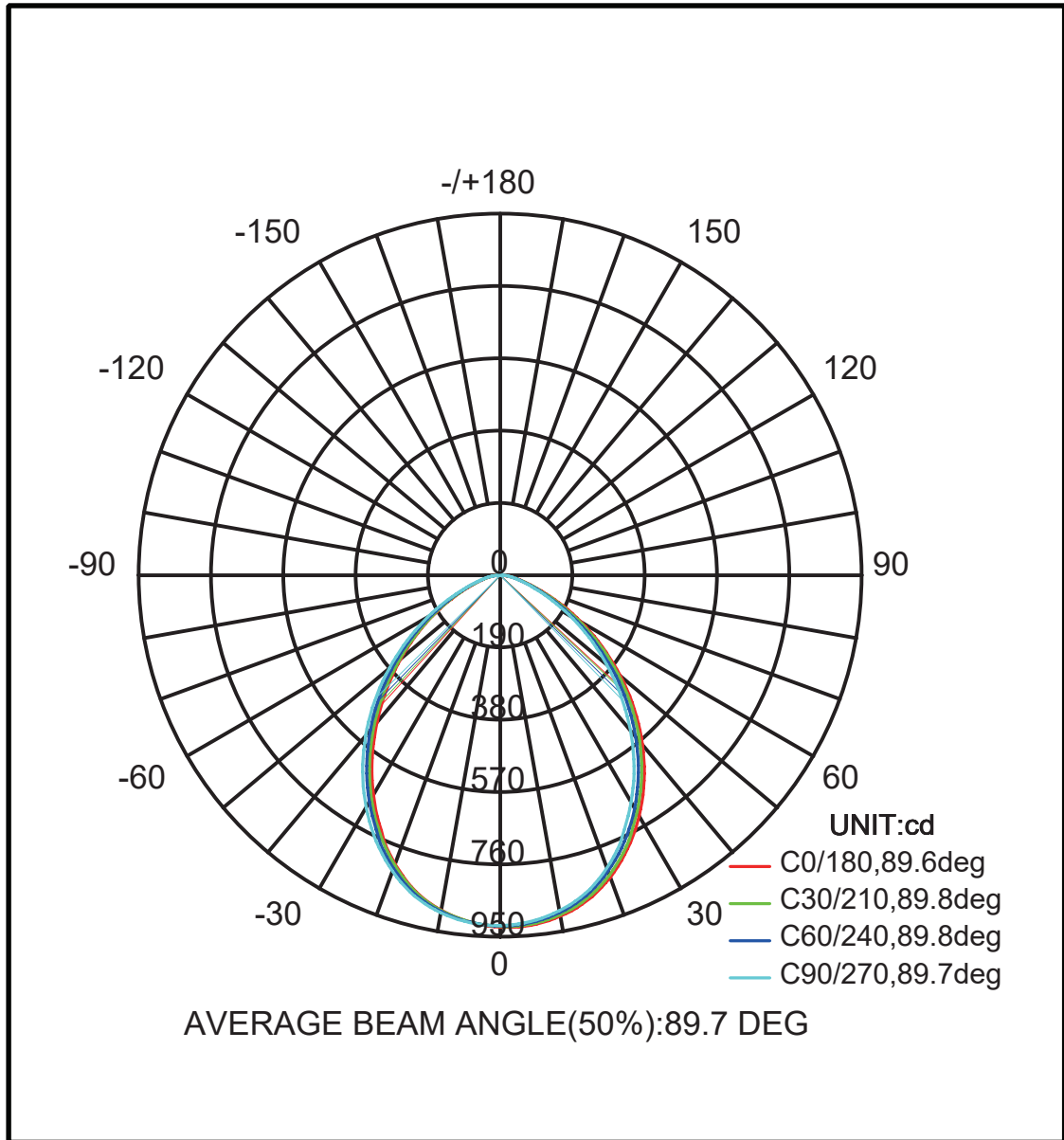
## Dimensions



# LED COMMERCIAL DOWNLIGHTS

SKU: 1560668 - 4"

Photometric Data



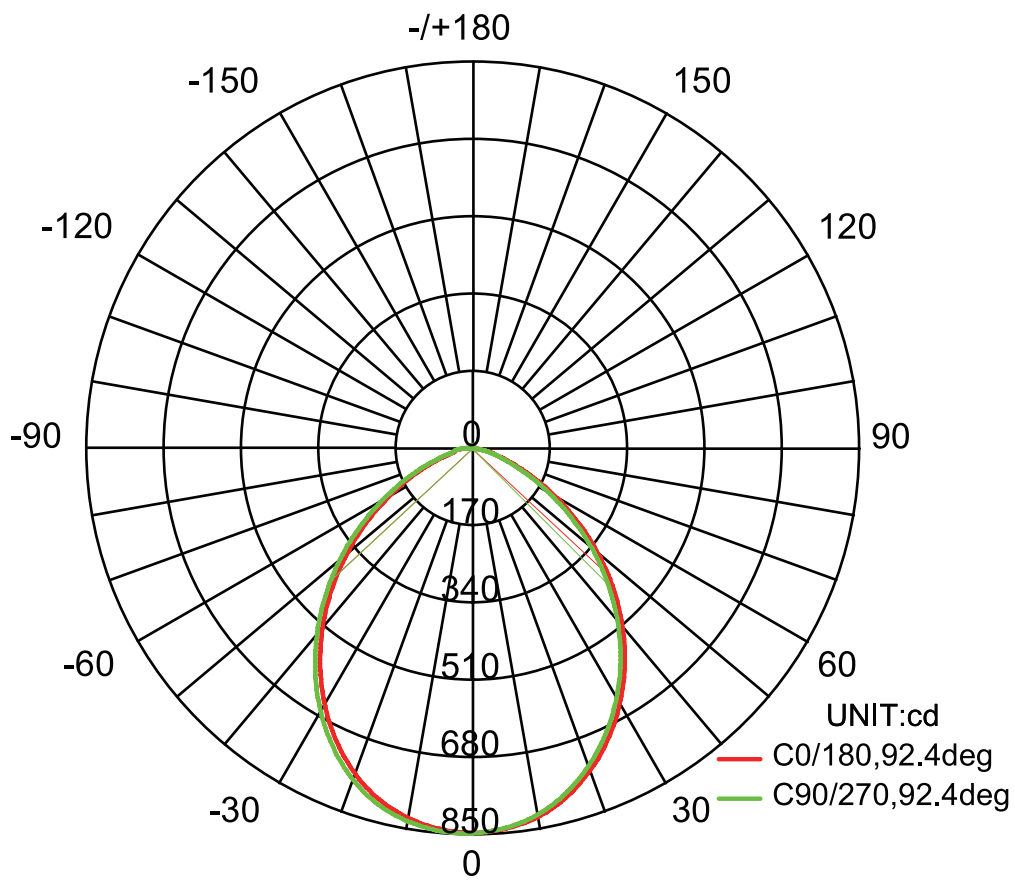
# LED COMMERCIAL DOWNLIGHTS



SKU: 1560644 - 6"

Photometric Data

## LUMINOUS INTENSITY DISTRIBUTION DIAGRAM



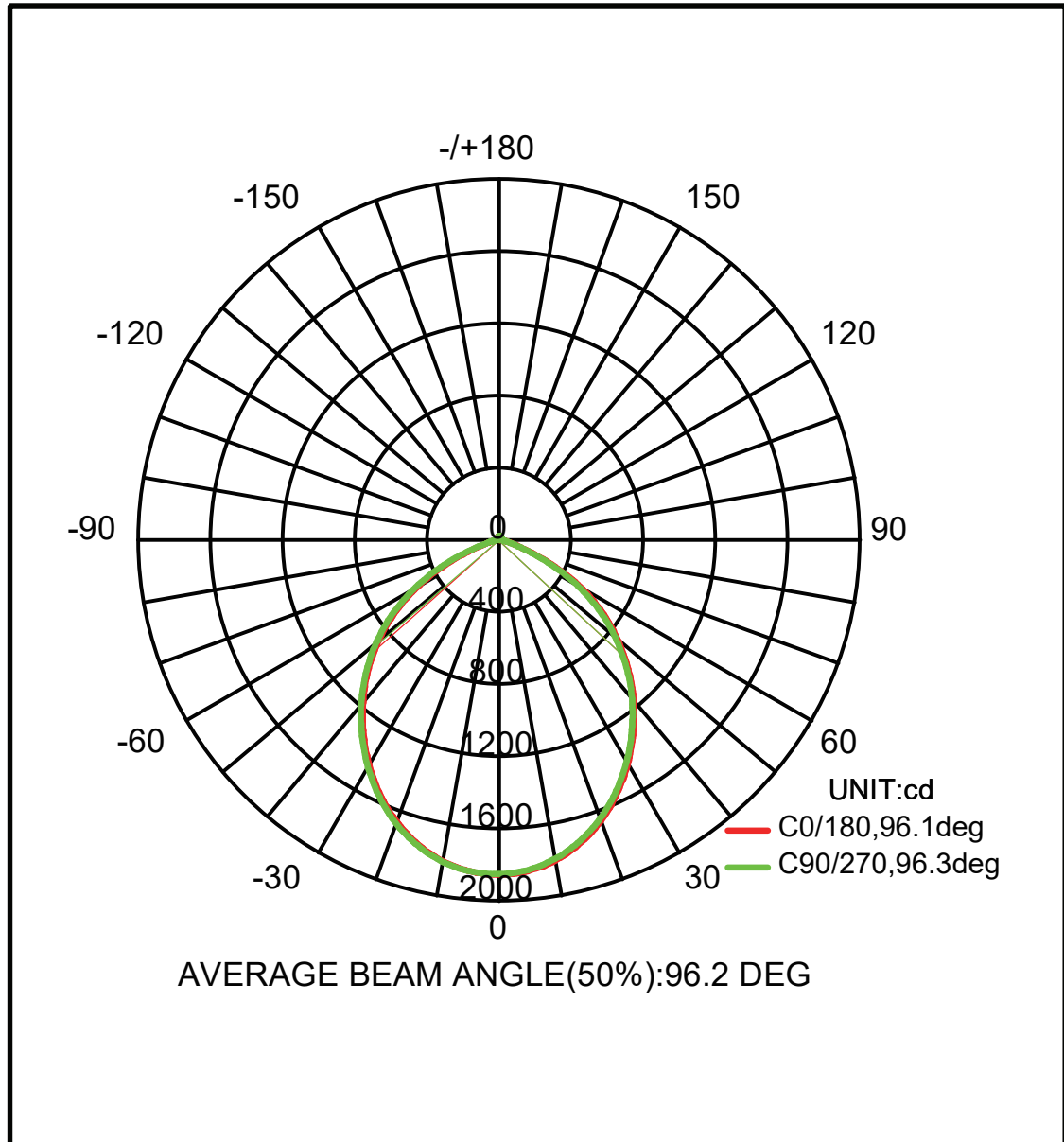
AVERAGE BEAM ANGLE(50%):92.4 DEG



# LED COMMERCIAL DOWNLIGHTS

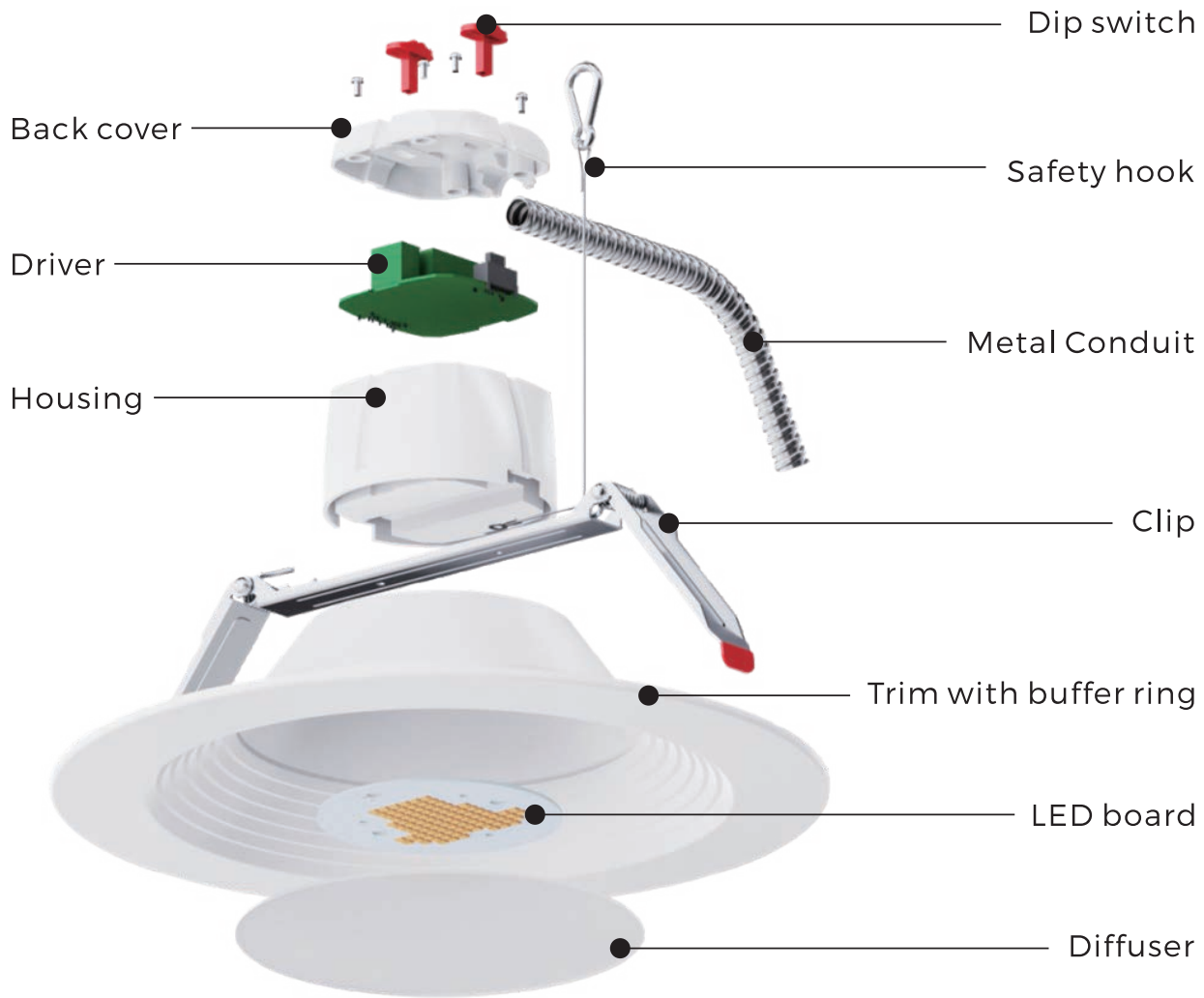
SKU: 1560669 - 8"



Photometric Data



# LED COMMERCIAL DOWNLIGHTS

## Product Structure



|   |   |
|---|---|
| <br><b>3POWER</b> | <p><b>Multiple Power Selectable</b></p> <p>Easily accessible switch allows selection between 3 wattages depending on output requirements.</p> |
| <br><b>5CCT</b>   | <p><b>Multiple CCT Selectable</b></p> <p>Easily accessible switch allows selection of 5 CCT to suit a variety of environments.</p>            |

# LED COMMERCIAL DOWNLIGHTS

## Installation

### SAFETY PRECAUTIONS:

READ ALL INSTRUCTIONS

WARNING - RISK OF FIRE OR ELECTRIC SHOCK. INSTALLATION REQUIRES KNOWLEDGE OF LUMINAIRE ELECTRICAL SYSTEMS. IF NOT QUALIFIED, DO NOT ATTEMPT INSTALLATION AND CONTACT A QUALIFIED ELECTRICIAN.

WARNING - THIS PRODUCT MUST BE INSTALLED IN ACCORDANCE WITH APPLICABLE INSTALLATION CODES BY A PERSON FAMILIAR WITH THE CONSTRUCTION AND OPERATION OF THE PRODUCT AND THE HAZARDS INVOLVED.

WARNING - INSTALL THIS KIT IN ACCORDANCE WITH THE INSTALLATION INSTRUCTIONS ACCORDING TO THE DIMENSIONS AND SUPPLY VOLTAGE AND AMPERAGE RATINGS SHOWN.

DO NOT INSTALL THE LUMINAIRE NEAR ANY HEAT SOURCE.

TO AVOID INJURY OR DAMAGE TO THE LUMINAIRE, PLEASE ENSURE THAT THE POWER LEADS AND SCREWS ARE SECURE BEFORE CONNECTING POWER.

ALWAYS ENSURE THAT POWER IS OFF, AND THE LUMINAIRE HAS COOLED, BEFORE PERFORMING ANY MAINTENANCE, CLEANING, OR ADJUSTMENTS TO THE LUMINAIRE.

### FCC NOTICE

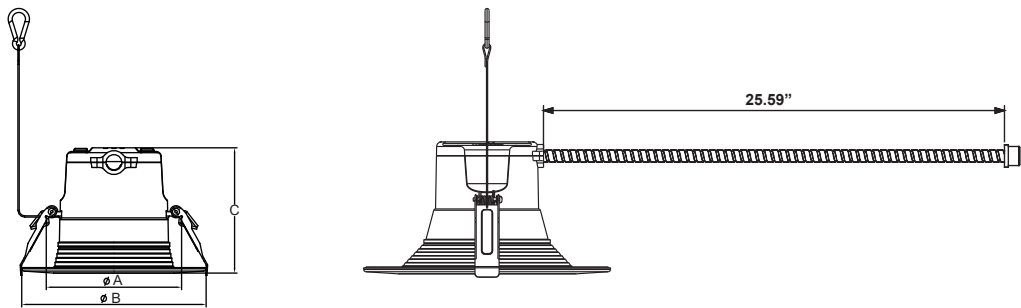
This equipment has been tested and found to comply with the limits for a Class B digital device, pursuant to Part 15 of the FCC Rules. These limits are designed to provide reasonable protection against harmful interference in a residential installation. This equipment generates, uses and can radiate radio frequency energy and, if not installed and used in accordance with the instructions, may cause harmful interference to radio communications. However, there is no guarantee that interference will not occur in a particular installation. If this equipment does cause harmful interference to radio or television reception, which can be determined by turning the equipment on and off, the user is encouraged to try to correct the interference by one or more of the following:

1. Reorient or relocate the receiving antenna.
2. Increase the separation between the lighting unit and receiver.
3. Connect the lighting unit into an outlet on a circuit other than the outlet which the receiver is connected.
4. Consult the dealer or an experienced radio/TV technician for assistance.

**NOTE:** Please note that changes and modifications are not expressly approved by the party responsible for compliance could void the user's authority to operate the equipment.

Conforms to standard CAN-ICES 005(B) /NMB-005 (B)

TABLE 1



| PRODUCTS COVERED |                                 |                    |                    |       |        |       |             |             |
|------------------|---------------------------------|--------------------|--------------------|-------|--------|-------|-------------|-------------|
| Model            | CCT Adjustable                  | Lumen output       | Wattage Adjustable | A     | B      | C     | Min. Cutout | Max. Cutout |
| 4" CCT           | 2700/3000/3500<br>/4000/5000(K) | 1000/1500/2000(LM) | 9W/13W/18W         | 4.33" | 5.91"  | 4.02" | 4.33"       | 5.51"       |
| 6" CCT           |                                 | 1500/2000/3000(LM) | 13W/19W/27W        | 5.91" | 8.27"  | 4.41" | 5.91"       | 7.48"       |
| 8" CCT           |                                 | 2000/3000/4000(LM) | 18W/27W/36W        | 7.48" | 10.24" | 4.76" | 7.48"       | 9.45"       |

# LED COMMERCIAL DOWNLIGHTS



## Installation

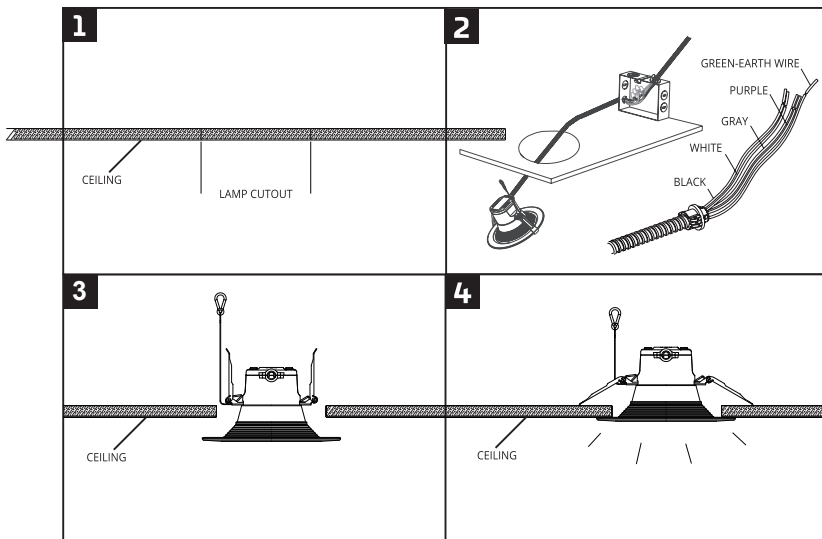
**ALWAYS TURN OFF THE POWER SUPPLY FROM MAIN CIRCUIT BREAKER FIRST!**

THERMAL RADIATION SPACE AND IRRADIATION DISTANCE MUST BE ENSURED. THE HEIGHT OF THE FIXTURE SHOULD BE NO LESS THAN 100MM. OPEN A HOLE IN CEILING ACCORDING TO CUTOUT SIZE OF THE LAMP.

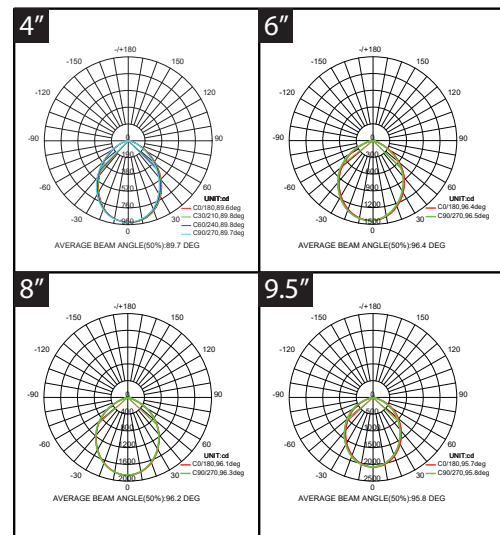
CONNECT AC AND DC WIRES CORRESPONDINGLY AS SHOWN IN FIGURE 2.

BEND BACK THE SPRING CLIPS THEN PUSH THE LAMP INTO THE HOLE.

INSTALLATION COMPLETED. SWITCH ON.



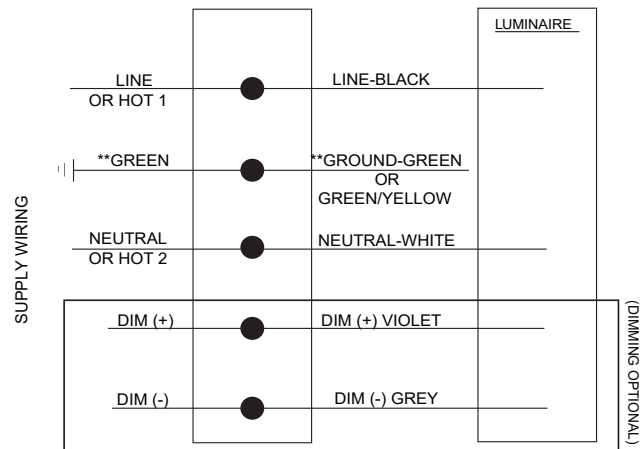
LUMINOUS INTENSITY DISTRIBUTION DIAGRAM



### ELECTRICAL CONNECTIONS- STANDARD LUMINAIRE

Make the following Electrical Connections:

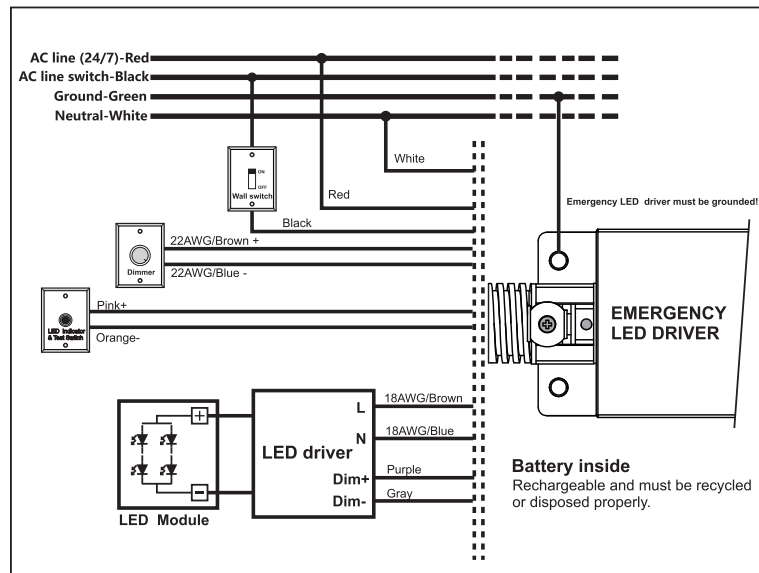
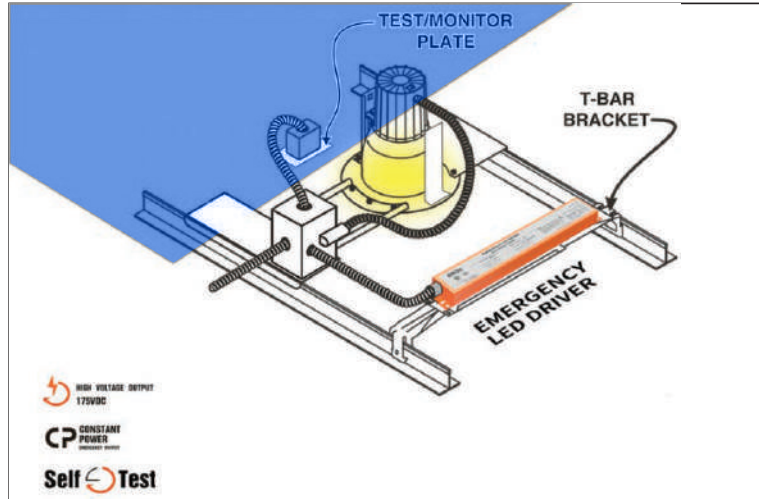
- For 120-347V connect the black fixture lead to the voltage supply or Hot 1 .
- For 120-347V connect the white fixture lead to the neutral supply or Hot 2 .
- Connect the green or green/yellow supply ground lead to the junction box
- If 0/1-10y Dimming is used, connect the violet lead to the supply positive dimming lead. If dimming is not being used ensure to cap off the violet lead. For dimming connections, use Class 1 wiring methods.
- If 0/1-10V Dimming is used, connect the grey lead to the supply negative dimming lead. If dimming is not being used ensure to cap off the grey lead. For dimming connections, use Class 1 wiring methods.



\*\* Connect the green or green/yellow supply ground lead to the junction box

# LED COMMERCIAL DOWNLIGHTS

## Wiring Diagram



## Packaging

| SKU #.  | Box Type  | Product Size | Dimension (Inches)    | Qty | Net Weight | Gross Weight |
|---------|-----------|--------------|-----------------------|-----|------------|--------------|
| 1560668 | Inner Box | 4"           | 7.28 X 7.25 X 4.60    | 1   |            |              |
|         | Outer Box | 4"           | 15.47 x1 4.76 x 8.11  | 6   |            |              |
| 1560644 | Inner Box | 6"           | 8.46 x 8.46 x 5.03    | 1   | 1.16 LBS   | 1.52 LBS     |
|         | Outer Box | 6"           | 26.38 x 9.29 x 11.02  | 6   | 7.01 LBS   | 10.07 LBS    |
| 1560669 | Inner Box | 8"           | 10.43 x 10.43 x5 .43  | 1   |            |              |
|         | Outer Box | 8"           | 21.77 x 17.24 x 11.26 | 6   |            |              |



# LED COMMERCIAL DOWNLIGHTS



## Application Image



## Warranty

5 Years Warranty

LED COMMERCIAL DOWNLIGHTS