



The CornCob Bulb from Nothing But LED's is one of the most energy efficient product of 2021, as they are designed primarily to substitute the HID lamps and metal halide bulbs. The corn lights are named for their design which resembles the corn on the cob. These luminaries are wattage-adjustable corn bulbs designed for fully enclosed fixtures, while maintaining a high Lumen output and up to 130 lumens per watt efficacy. These high-output LEDs are ideal for parking lots, post top lights, street lighting, shoebox fixtures, highway lighting, and other high intensity lighting.

Product Features

- Enclosure provides a water-tight seal making it suitable for outdoor application
- Integral LED driver (non-isolated), eliminates the need for an external driver or ballast
- Up to 130 lumens per watt
- Three selectable wattages
- Complies with UL safety regulations and is DLC5.1 listed
- High Quality and Efficacy Lumiled 2835 chips
- This product is IP64 rated, therefore, it is waterproof and dust proof rating
- Universal operation at 100-277Vac 50-60Hz
- Environment friendly with no mercury
- Easy to install and operate, with instant and no humming
- Energy saving, long lifespan
- 4KV built-in surge protector and fan-less design
- Direct replacement for Metal Halide

LED CORNCOB BULB



SKU #	Model #	Wattage Adj.	Lumens Adj.	CCT	IP	Housing	Input Voltage	Base	Certifications
1530464	BLT-CLW08E-036W BCA1-S50K	18W/27W/ 36W	2550Lm/ 4524Lm	5000K	IP64	White	100V-277V	E26	UL & DLC
1530465	BLT-CLW08E-063W BCA1-EXS50K	36W/54W/ 63W	4680Lm/ 8229Lm	5000K	IP64	White	100V-277V	Ex39	UL & DLC
1530466	BLT-CLW08E-120W BCNA1-EXSP50K	80W/100W/ 120W	11360Lm/ 15857Lm	5000K	IP64	White	100V-277V	Ex39	UL & DLC



SKU # 1530464

Specifications

Parameter	Description	Value
General Performance	Wattage Adjustable	18W / 27W / 36W
	Color Temperature	5000K
	Lumens Adjustable	Up to 2550Lm / 4524Lm
	Lumen Efficacy	Up to 130 LM/W
	CRI (Ra)	>80
	Diffuser Type	Clear
Electrical	Beam Angle	210° Degree
	Input Voltage	100-277V
	Frequency	50/60Hz
	PF	≥0.9
	THD	≤20%
Physical	Flicker Percent	<30%
	Equivalent	80W CFL, 150W MHL/HPS/HID
	Driver Surge Protection	L-N:4kV
	Operating Temperature	-40°C TO 50°C
	Storage Temperature	-40°C TO 80°C
	Operating Humidity	20% - 70% RH
	Storage Humidity	10% - 75% RH
	LED Brand	Lumileds
	LED Type	SMD2835
	LEDs QTY	144 PCS
Qualification	Housing	PC + Aluminum
	Housing Color	White
	IP Rating	WET (IP64)
	Warranty	5 Years

LED CORNCOB BULB



SKU # 1530465

Specifications

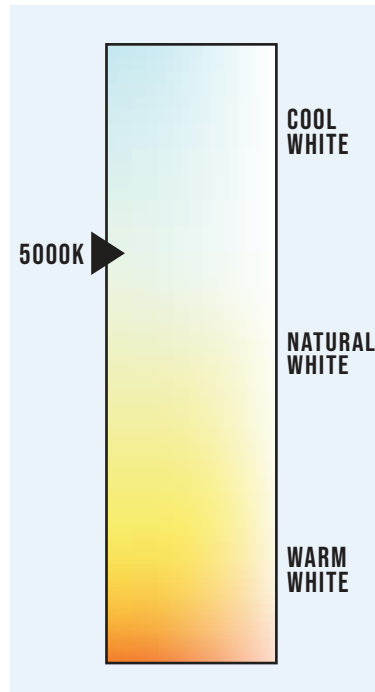
Parameter	Description	Value
General Performance	Wattage Adjustable	36W / 54W / 63W
	Color Temperature	5000K
	Lumens Adjustable	Up to 4680Lm / 8229Lm
	Lumen Efficacy	Up to 130 LM/W
	CRI (Ra)	>80
	Diffuser Type	Clear
Electrical	Beam Angle	182° Degree
	Input Voltage	100-277V
	Frequency	50/60Hz
	PF	≥0.9
	THD	≤20%
Physical	Flicker Percent	<30%
	Equivalent	120W CFL, 175W MHL/HPS/HID
	Driver Surge Protection	L-N:4kV
	Operating Temperature	-40°C TO 50°C
	Storage Temperature	-40°C TO 80°C
	Operating Humidity	20% - 70% RH
	Storage Humidity	10% - 75% RH
	LED Brand	Lumileds
	LED Type	SMD2835
	LEDs QTY	272 PCS
Qualification	Housing	PC + Aluminum
	Housing Color	White
	IP Rating	WET (IP64)
	Warranty	5 Years

SKU # 1530466

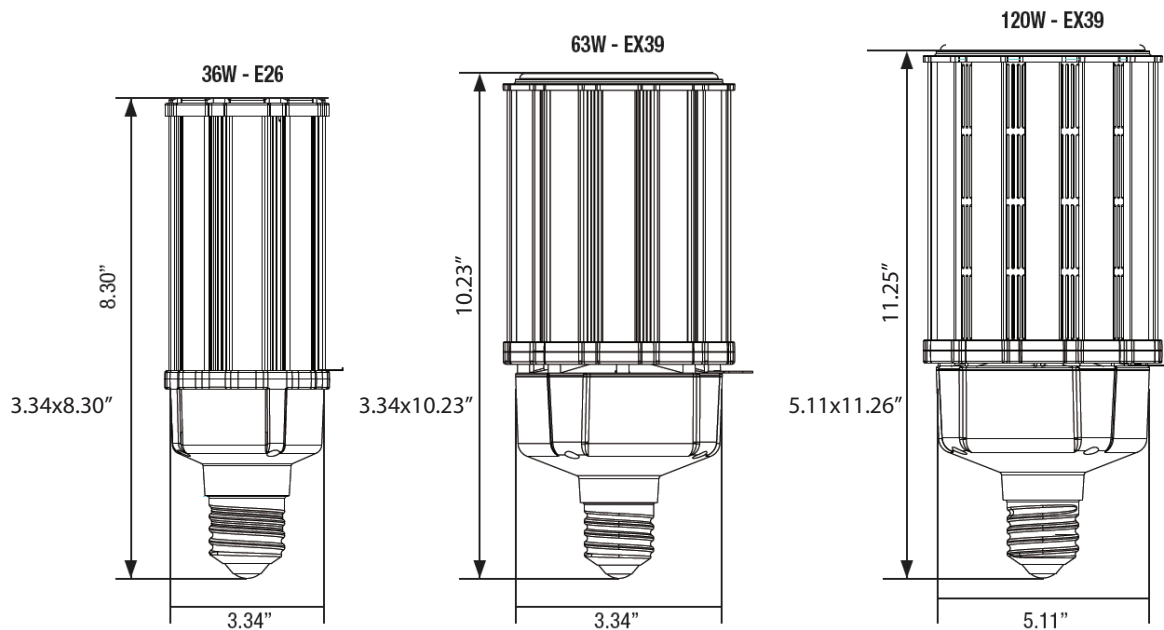
Specifications

Parameter	Description	Value
General Performance	Wattage Adjustable	80W / 100W / 120W
	Color Temperature	5000K
	Lumens Adjustable	Up to 10422Lm / 15857Lm
	Lumen Efficacy	Up to 130 LM/W
	CRI (Ra)	>80
	Diffuser Type	Clear
Electrical	Beam Angle	150° Degree
	Input Voltage	100-277V
	Frequency	50/60Hz
	PF	≥0.9
	THD	≤20%
	Flicker Percent	<5%
Physical	Equivalent	200W CFL, 400W MHL/HPS/HID
	Driver Surge Protection	L-N: 6kV
	Operating Temperature	-40°C TO 50°C
	Storage Temperature	-40°C TO 80°C
	Operating Humidity	20% - 70% RH
	Storage Humidity	10% - 75% RH
	LED Brand	Lumileds
	LED Type	SMD2835
	LEDs QTY	494 PCS
Qualification	Housing	PC + Aluminum
	Housing Color	White
	IP Rating	WET (IP64)
	Warranty	5 Years

Correlated Color Temperature (CCT)



Dimensions



SKU number 1530464 Light Distribution Testing Parameters

Luminaire Data

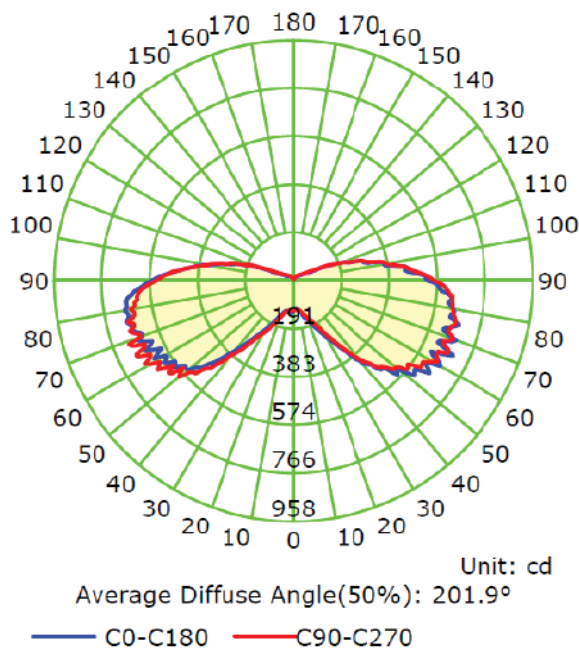
Voltage: 120.0 V
 Current: 0.289 A
 Watt: 34.09 W
 Power Factor: 0.98

Photometric Results

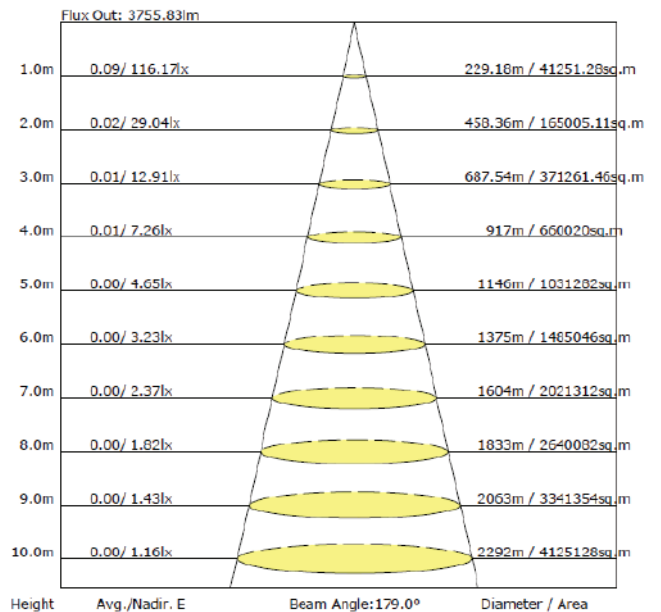
IES Classification: Type I
 Total Rated Lamp Lumens: 4249.1 lm
 Efficiency: 100%
 Upward Ratio: 25%
 C0r0 Intensity: 116.17 cd

Longitudinal Classification: Short
 Measurement Flux: 4249.1 lm
 Downward Ratio: 75%
 Luminaire Efficacy Rating (LER): 124.69
 Max. Intensity: 766.58 cd

Luminous Intensity Distribution Curve



The Average Illuminance Effective Figure



SKU number 1530465 Light Distribution Testing Parameters

Luminaire Data

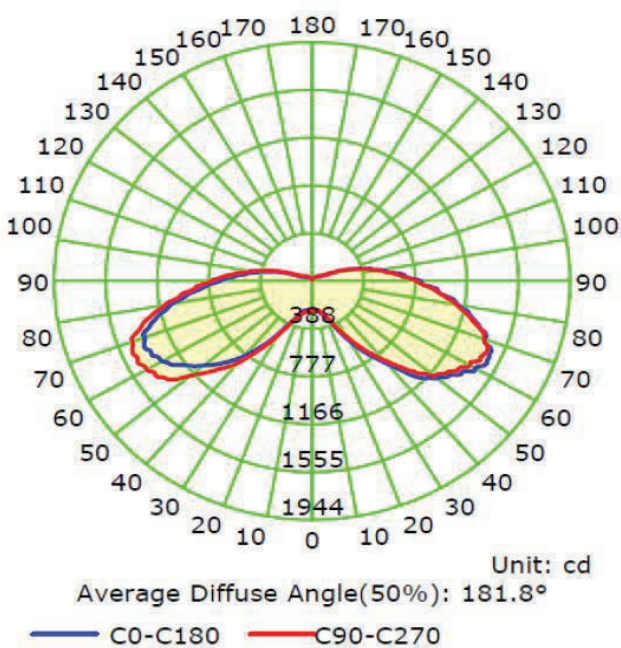
Voltage: 120.0 V
 Current: 0.53 A
 Watt: 62.92 W
 Power Factor: 0.99

Photometric Results

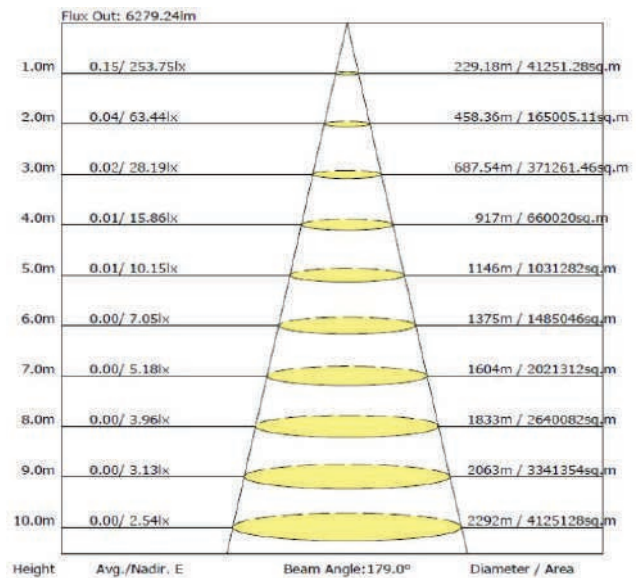
IES Classification: Type I
 Total Rated Lamp Lumens: 7700.3 lm
 Efficiency: 100%
 Upward Ratio: 19%
 C0r0 Intensity: 253.75 cd

Longitudinal Classification: Short
 Measurement Flux: 7700.3 lm
 Downward Ratio: 81%
 Luminaire Efficacy Rating (LER): 122.43
 Max. Intensity: 1555.56 cd

Luminous Intensity Distribution Curve



The Average Illuminance Effective Figure



SKU number 1530466 Light Distribution Testing Parameters

Luminaire Data

Voltage: 120.0 V
 Current: 1.02 A
 Watt: 121.21 W
 Power Factor: 0.99

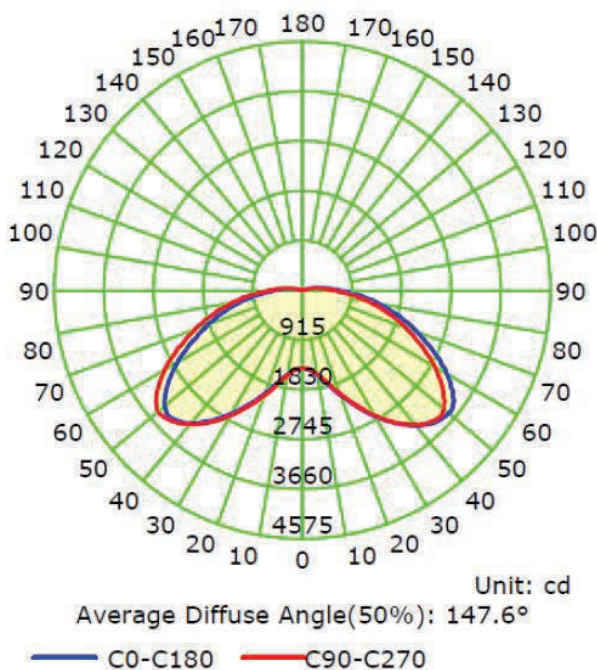
Photometric Results

CIE Class: Direct
 Measurement Flux: 14835.9 lm
 Downward Ratio: 97%

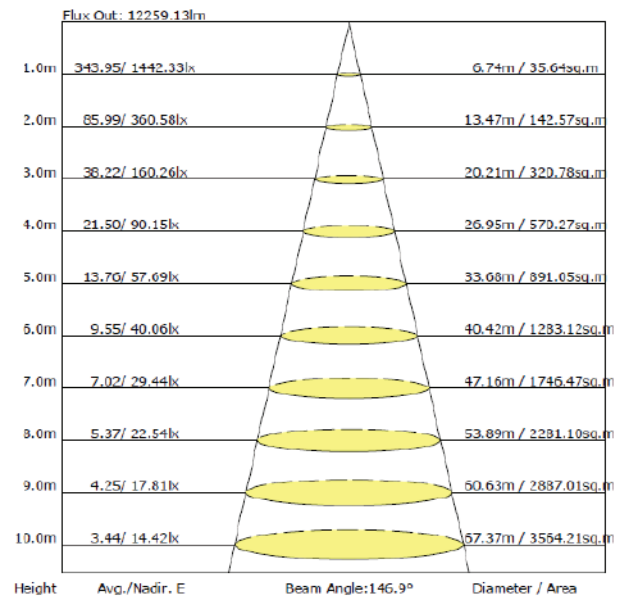
Total Rated Lamp Lumens: 14835.9
 Efficiency: 100%
 Upward Ratio: 3%

Field Angle(C0/C180,C90/C270,C45/C225,C135/315): 191.3,191.4,191.9,190.7
 Beam Angle(C0/C180,C90/C270,C45/C225,C135/315): 146.9, 148.3, 148.1, 145.7
 Luminaire Efficacy Rating (LER): 122.45 C0r0 Intensity: 1442.33 cd

Luminous Intensity Distribution Curve



The Average Illuminance Effective Figure



Installation

LED Corn Light Instruction



Can not use the electric generator to test the LED lamp. Please avoid using the led fixture in environment where there is smoke, sulfur, and corrosive substances. But if used in such environment, make sure the led fixture is well protected by an enclosed lampshade whose dimension is no less than below size, and whose material is either glass or semi-glass, semi-metallic. Surface of the lampshade shall not have any covering which prevents heat dissipation.

Watt	12	18	27	36	45/54	63/80
Volume (CM)	30*18*18	32*19*19	34*20*20	38*20*20	42*21*21	42*23*23

Watt	100	120				
Volume (CM)	44*24*24	44*26*26				

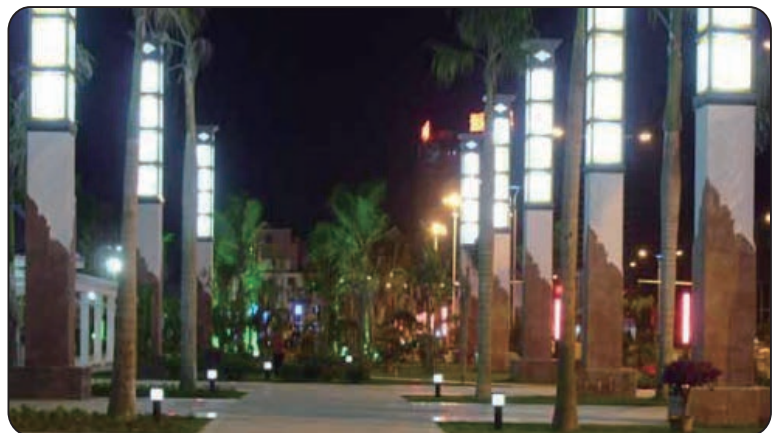
LED Corn Light Instruction

Product features:

- 5000K CCT mode 18W-120W are designed
- With Clear PC cover.
- 18W-120W Sealant pouring for whole driver and lamp plastic housing.
- Long lifespan and good heat dissipation.No fan.
- Direct replacement for Metal Halide, easy Installation.
- Fits many different fixtures to replace traditional lamps.

Application

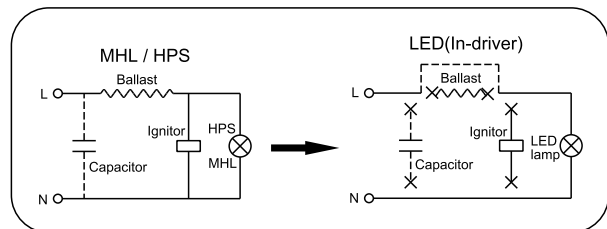
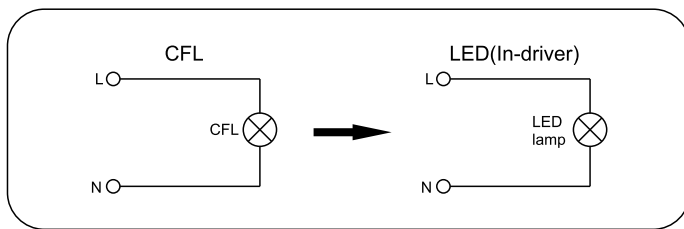
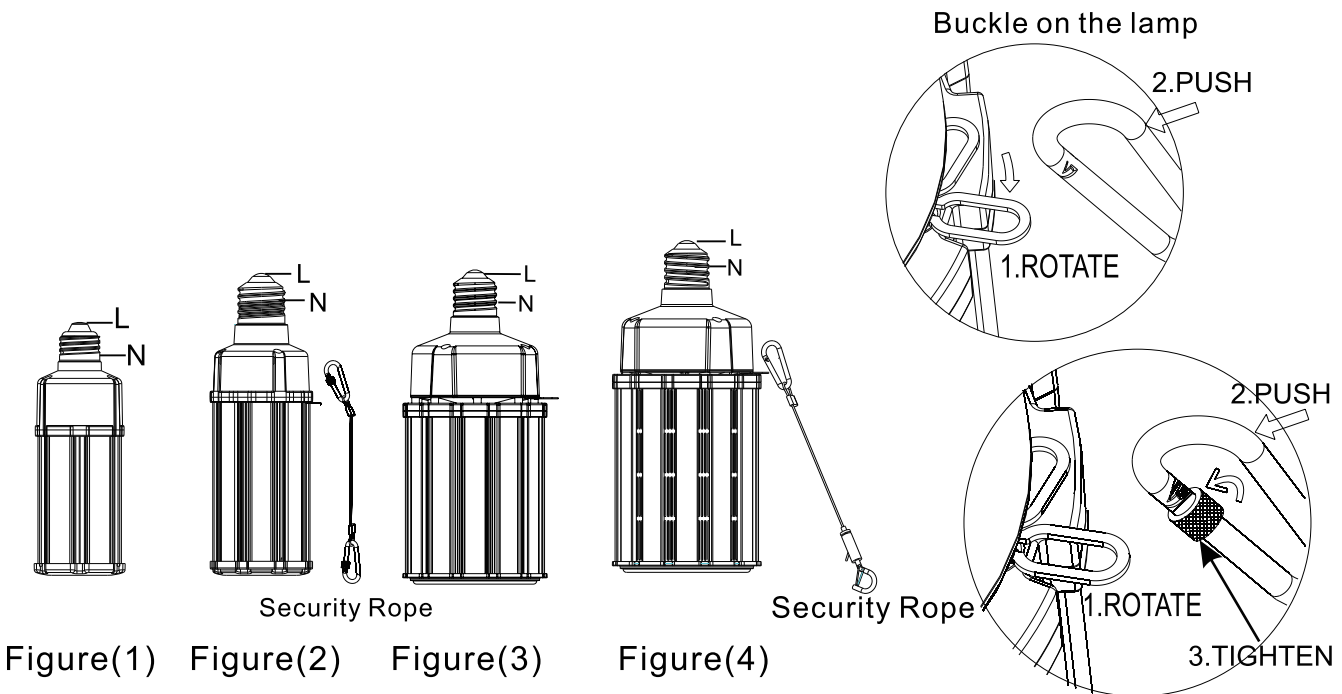
Widely used in supermarket, warehouse, garage, home, office, hotel, hospital, school, street, garden etc.



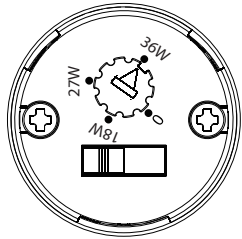
Installation Instructions

Warning: Please make sure the power is off before installation.

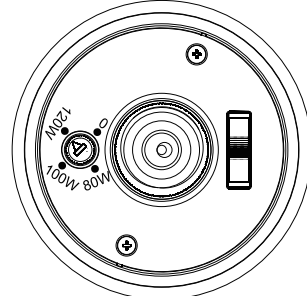
1. Turn off the power switch.
2. Screw off the CFL or MHL or HPS and so on, see Figure (5)(6).
3. Take out led corn light and screw on, see Figure (1)(2)(3)(4). Figure (1)(2) (3) (4):AC internal driver,
(Note: Pls make sure to take off the ballast before installing led corn light, otherwise the ballast will produce the resonance of high voltage and makes led corn light breakdown.)
- 4.If security rope provided, pls fix the rope on the lamp with hand, then fix the wire of other end on the shell, see Figure(2) (4).
5. Turn on the power switch.(Finished!)



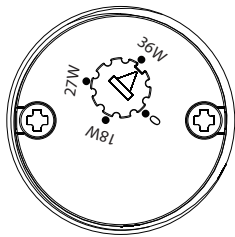
Wattage Adjustable



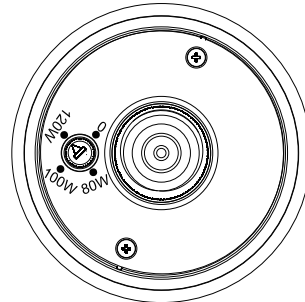
**Wattage Adjustable
18W / 27W / 36W**



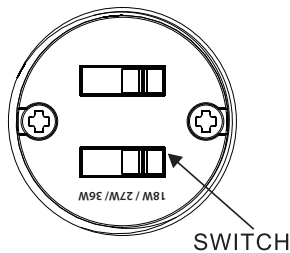
Wattage Adjustable: 80W / 100W / 120W



**Single CCT 5000K
Wattage Adj. 27W-63W**

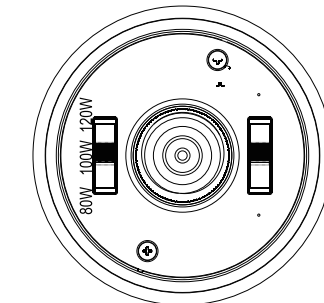


Single CCT 80-120W

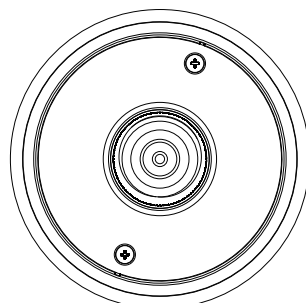


**Wattage Adjustable
18W / 27W / 36W**

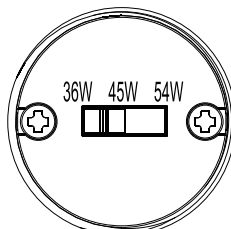
SWITCH



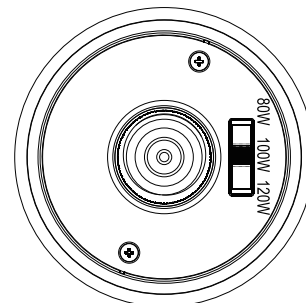
Wattage Adjustable: 80-120W



**Single CCT
80-120W**



**Single CCT
27-63W**



Single CCT80-120W-S

Figure(8)

Installation

WARNING:

WARNING — Risk of fire or electric shock. LED Retrofit Kit installation requires knowledge of luminaires electrical systems. If not qualified, do not attempt installation. Contact a qualified electrician.

WARNING — Risk of fire or electric shock. Install this kit only in the luminaires that have the construction features and dimensions shown in the photographs and/or drawings and where the input rating of the retrofit kit does not exceed the input rating of the luminaire.

WARNING — To prevent wiring damage or abrasion, do not expose wiring to edges of sheet metal or other sharp objects. Do not make or alter any open holes in an enclosure of wiring or electrical components during kit installation.

THE RETROFIT KIT IS ACCEPTED AS A COMPONENT OF A LUMINAIRE WHERE THE SUITABILITY OF THE COMBINATION SHALL BE DETERMINED BY AUTHORITIES HAVING JURISDICTION. PRODUCT MUST BE INSTALLED BY A QUALIFIED ELECTRICIAN IN ACCORDANCE WITH THE APPLICABLE AND APPROPRIATE ELECTRICAL CODES. THE INSTALLATION GUIDE DOES NOT SUPERSEDE LOCAL OR NATIONAL REGULATIONS FOR ELECTRICAL INSTALLATIONS. SUITABLE FOR DAMP LOCATIONS.

ADDED WEIGHT OF THE DEVICE MAY CAUSE INSTABILITY OF A FREE STANDING PORTABLE LUMINAIRE. USE ONLY WITH A PORTABLE TABLE LAMP THAT IS PROVIDED WITH A SHADE. USE IN PORTABLE TABLE LAMPS IN WHICH THE DISTANCE FROM THE BOTTOM OF THE BASE TO THE TOP OF THE LAMP HOLDER DOES NOT EXCEED THREE (3) TIMES THE MINIMUM BASE DIAMETER.

THIS DEVICE IS NOT INTENDED FOR USE WITH EMERGENCY EXITS" or "NOT FOR EMERGENCY LIGHTING. MIN. LAMP COMPARTMENT DIMENSIONS (L x W x H)

Packaging

For SKU number 1530464

	Size (Inches)	Qty	Net Weight (LBS)	Gross Weight (LBS)
Inner Box	3.54x3.54x9.65	1PC	1.23	1.56
Outer Box	14.96x11.42x10.43	12PC	14.99	20.94

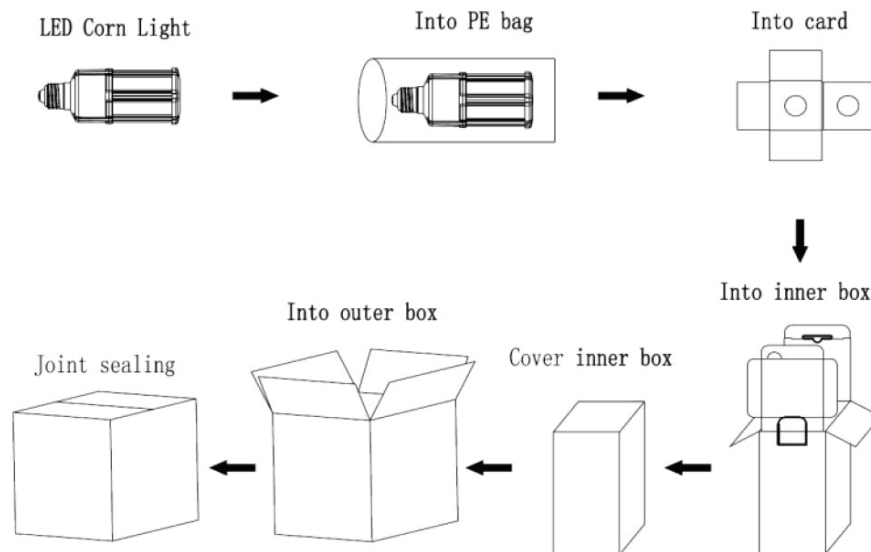
For SKU number 153465

	Size (Inches)	Qty	Net Weight (LBS)	Gross Weight (LBS)
Inner Box	3.54x3.54x11.60	1PC	1.54	1.98
Outer Box	14.96x11.42x12.40	12PC	17.42	24.91

For SKU number 153466

	Size (Inches)	Qty	Net Weight (LBS)	Gross Weight (LBS)
Inner Box	5.31x5.31x12.40	1PC	3.42	3.64
Outer Box	16.53x11.22x13.19	6PC	20.50	24.03

Tolerance of Carton Size: ± 15 MM, Tolerance of Weight: $\pm 10\%$.



Application

Replacement Lamps for Outdoor Pole/Arm-mounted Decorative Luminaires (Type B).
Widely used in supermarket, warehouse, garage, home, office, hotel, hospital, school, street, garden etc.



LED CORNCOB BULB



LED CORNCOB BULB

Safety Precautions

To reduce the risk of death, personal injury or property damage from fire, electric shock, falling parts, cuts/abrasions, and other hazards read all warnings and instructions included with and on the fixture box and all fixture labels.

Before installing, servicing, or performing routine maintenance upon this equipment, follow these general precautions.

Commercial installation, service and maintenance of luminaires should be performed by a qualified licensed electrician.

For the installation: If you are unsure about the installation or maintenance of the luminaires, consult a qualified licensed electrician and check your local electrical code. To prevent wiring damage or abrasion, do not expose wiring to edges of sheet metal or other sharp objects. Do not make or alter any open holes in an enclosure of wiring or electrical components during kit installation.

WARNING: RISK OF FIRE OR ELECTRICAL SHOCK

Turn off electrical power at fuse or circuit breaker box before wiring fixture to the power supply. Turn off the power when you perform any maintenance. Verify that supply voltage is correct by comparing it with the luminaire label information. Make all electrical and grounded connections in accordance with the National Electrical Code and any applicable local code requirements. All wiring connections should be capped with UL approved wire connectors.

CAUTION: RISK OF INJURY

Avoid direct eye exposure to the light source while it is on.

Account for small parts and destroy packing material, as these may be hazardous to children.

Warranty

5 Years Warranty.