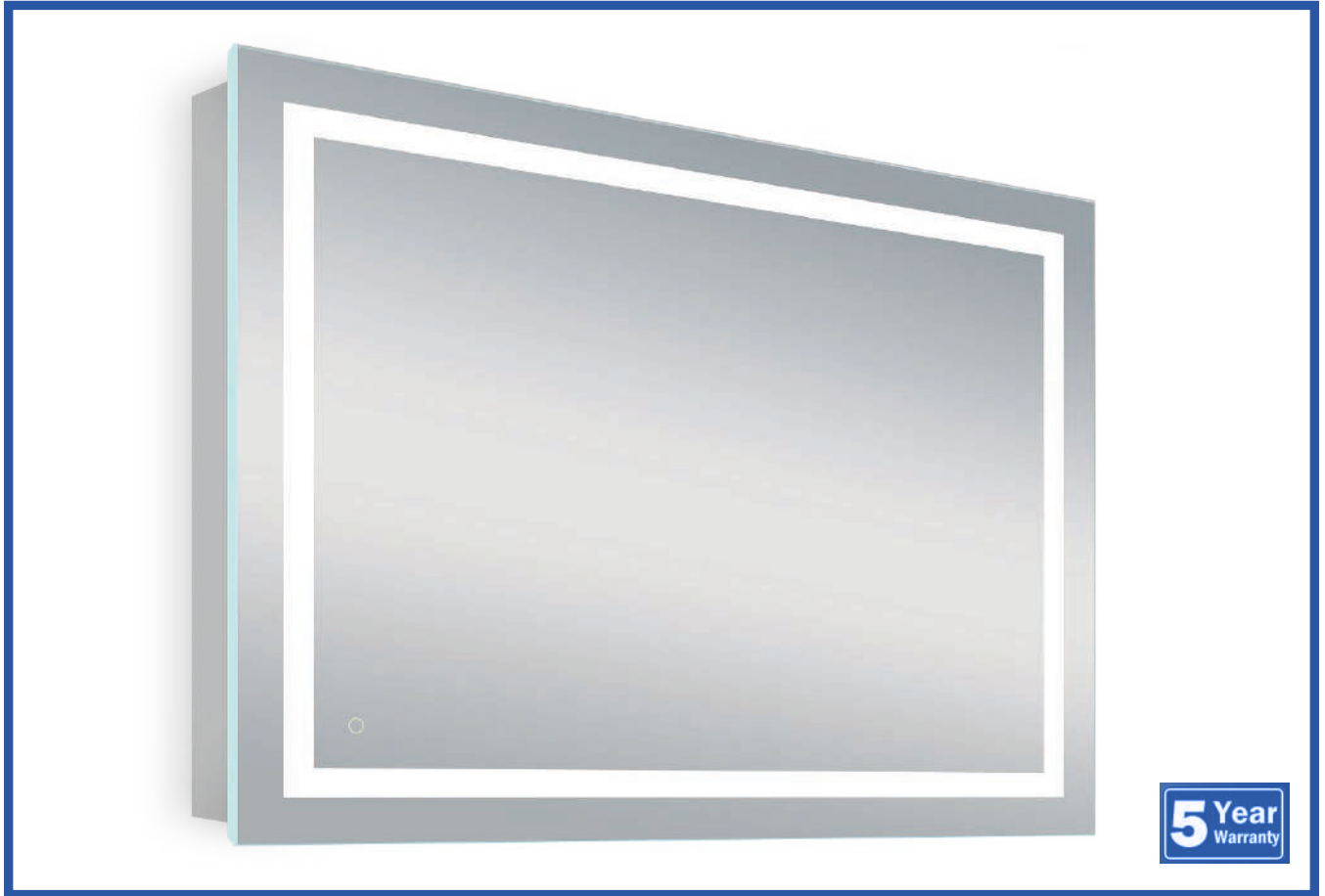


# LED Vanity Mirrors



Our LED Vanity Mirrors are the most advanced and unique product of 2022. Mirrors are CCT Adjustable, controlled with a round touch button, and have an Integrated Defogger. Mirrors are easy to surface mount and include all installation hardware. These are high quality polished edge mirrors that are sure to make anyone look their best.

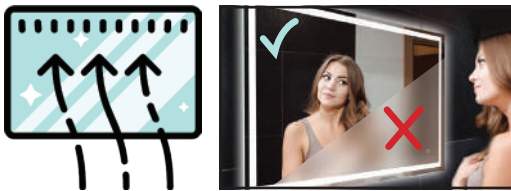
- Integrated touch sensor control with memory
- Energy efficient LED lighting
- CCT Adjustable 3000k- 6000k
- Integrated Defogger
- 100-120Vac Input Voltage
- High CRI 90+

# LED Vanity Mirrors

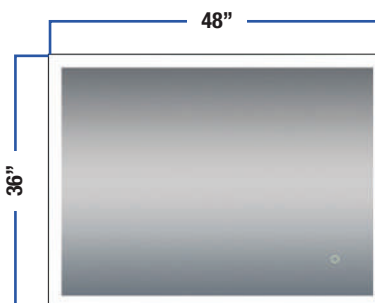
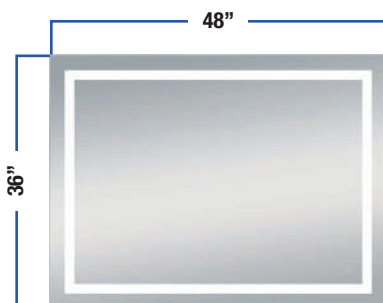
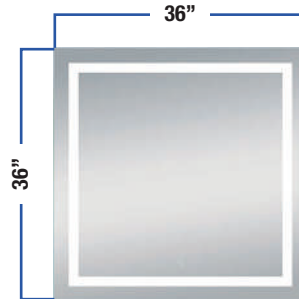
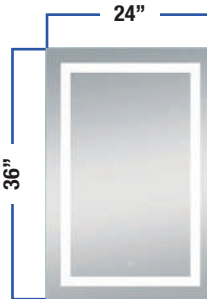
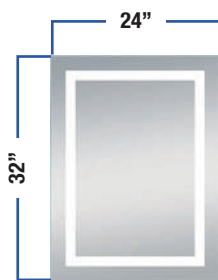


SKU #	Model #	Watts	Lumens	CCT	CRI	Size	Input Voltage	Certifications
1510730	BLT-ICON2432	49.6W	2700Lm	Adjustable 3000K/4000K/5000K	>90	24" X 32"	100-120Vac	ETL
1510731	BLT-ICON2436	51.6W	2900Lm	Adjustable 3000K/4000K/5000K	>90	24" X 36"	100-120Vac	ETL
1510732	BLT-ICON3636	68.4W	3500Lm	Adjustable 3000K/4000K/5000K	>90	36" X 36"	100-120Vac	ETL
1510733	BLT-ICON3648	74.4W	4290Lm	Adjustable 3000K/4000K/5000K	>90	36" X 48"	100-120Vac	ETL
1510738	BLT-ICON3648	73.9W	4200Lm	Adjustable 3000K/4000K/5000K	>90	36" X 48"	100-120Vac	ETL

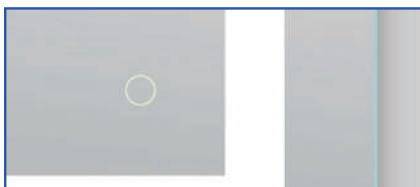
## Integrated Defogger



## 3000K/4000K/5000K



## Integrated Touch Sensor Control with Memory



## Polished Edge Border Window Style

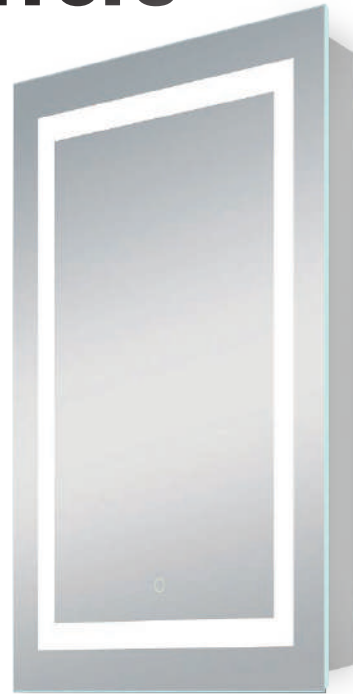


## Polished Edge Inner Window Style



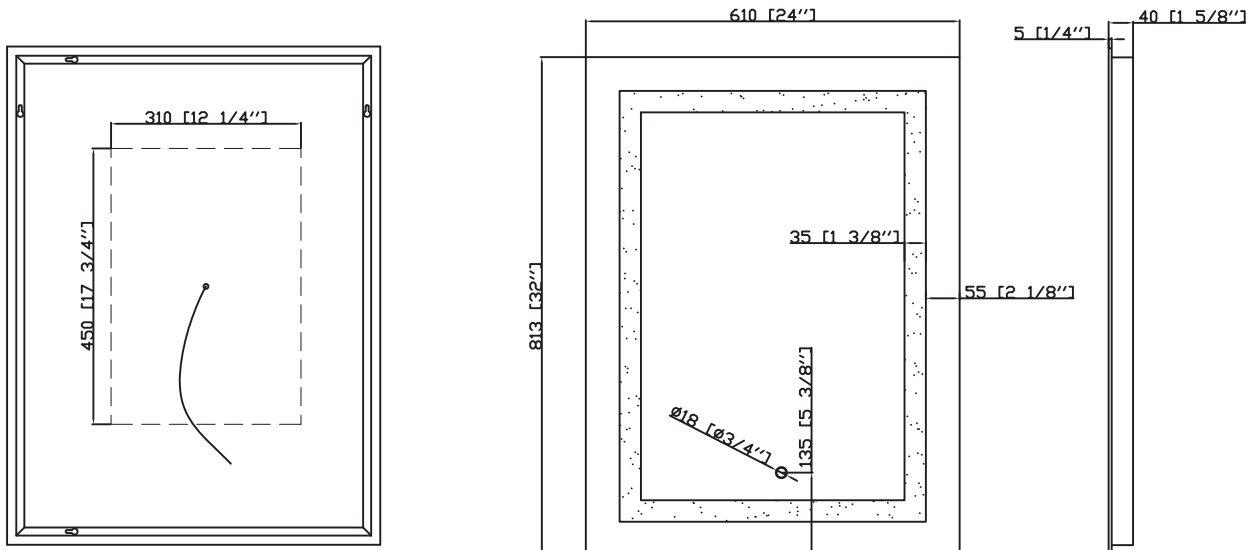
## 24" X 32" Specifications - 1510730

- Integrated touch sensor control with memory
- Energy efficient LED lighting 3000 - 6000K
- 2700 Lumens
- CRI 90+
- Integrated Defogger
- Quality polished edge mirror
- Single phase wire installation, silver backed, copper free
- Construction for surface mounting
- Includes installation hardware

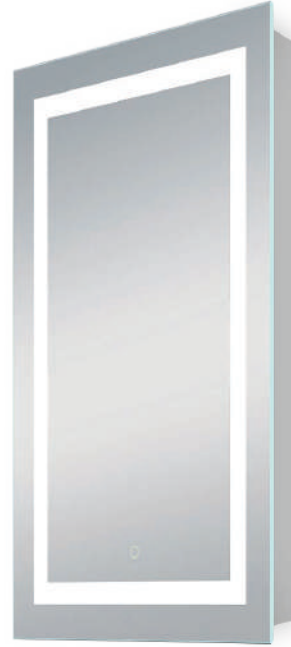


	Wattage	49.6 W	
Size	24"x32"	Lumens	2700LM
CC T	3000 - 6000K	Input Voltage	100-120VAC
CRI	>90	LED/Me ter	2.55

## Dimensions



# LED Vanity Mirrors

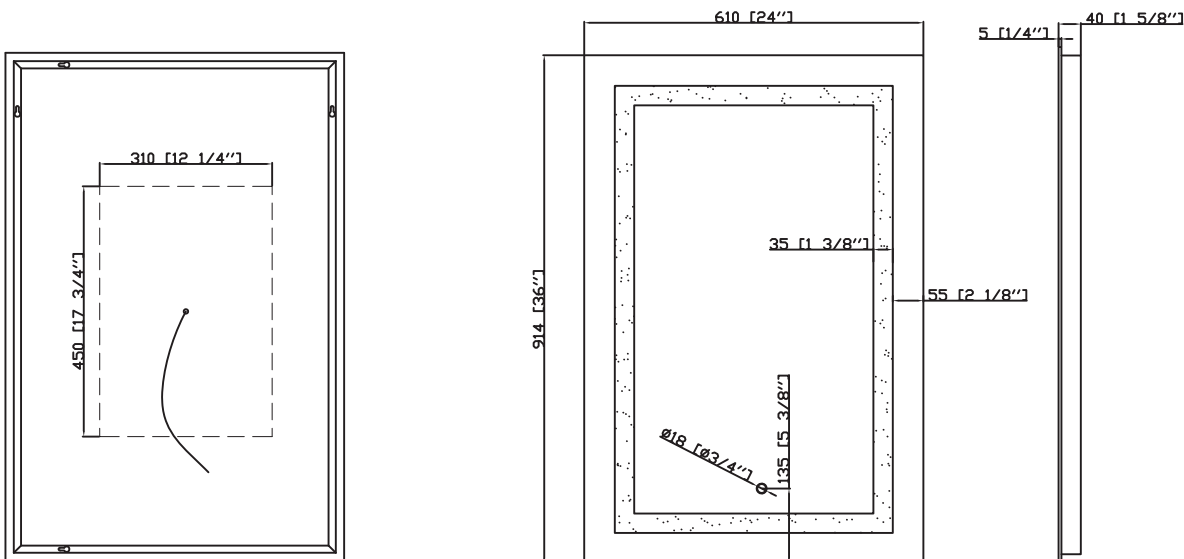


## 24" X 36" Specifications - 1510731

- Integrated touch sensor control with memory
- Energy efficient LED lighting 3000 - 6000K
- 2900 Lumens
- CRI 90+
- Integrated Defogger
- Quality polished edge mirror
- Single phase wire installation, silver backed, copper free
- Construction for surface mounting
- Includes installation hardware

	Wattage	51.6 W		
Size	24"x36"	Lumens	2900LM	
CC T	3000 - 6000K	Input Voltage	100-120VAC	
CR I	>90	LED/Me ter	2.75	

## Dimensions



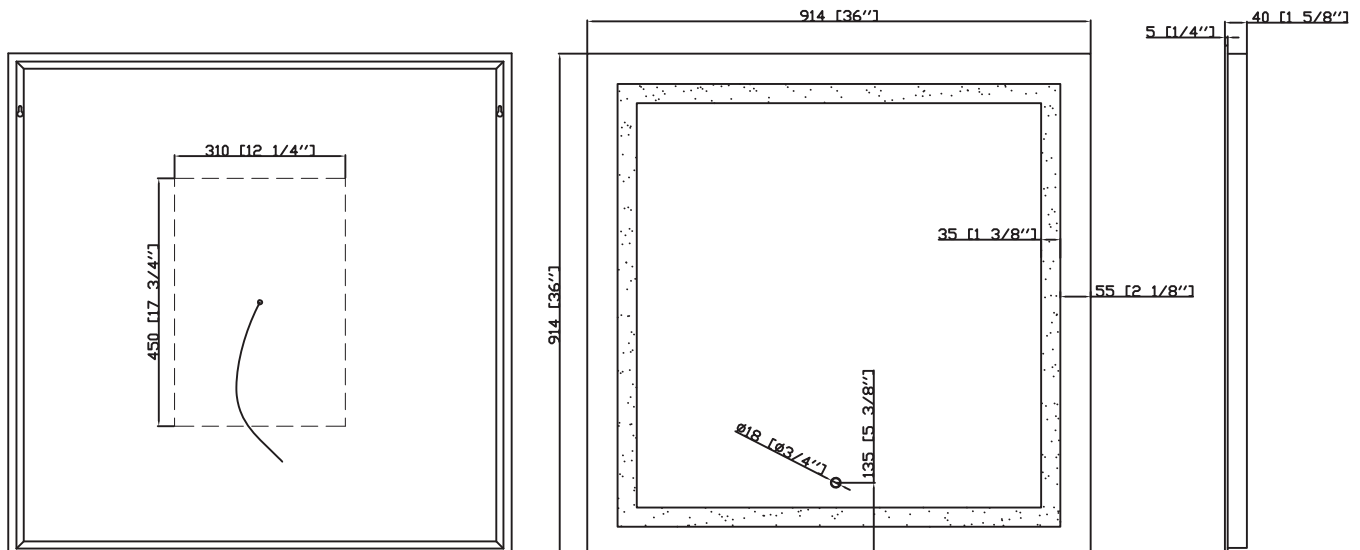
## 36" X 36" Specifications - 1510732

- Integrated touch sensor control with memory
- Energy efficient LED lighting 3000 - 6000K
- 3600 Lumens
- CRI 90+
- Integrated Defogger
- Quality polished edge mirror
- Single phase wire installation, silver backed, copper free
- Construction for surface mounting
- Includes installation hardware



	Wattage	68.4 W	
Size	36"x36"	Lumens	3600LM
CC T	3000 - 6000K	Input Voltage	100-120VAC
CRI	>90	LED/Me ter	3.35

## Dimensions



# LED Vanity Mirrors



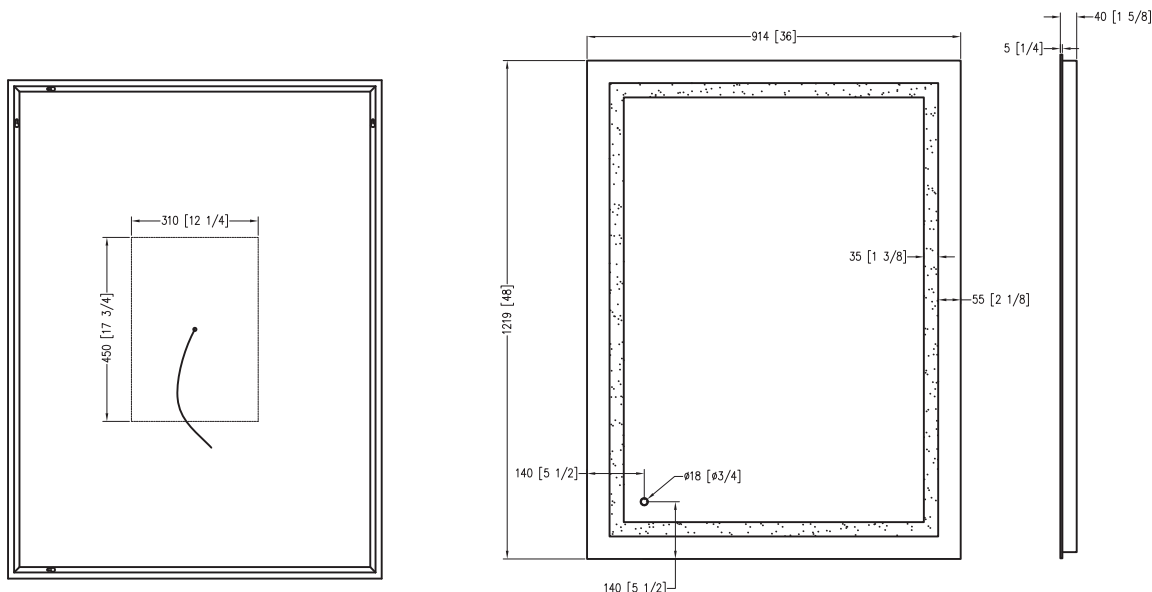
## 36" X 48" Specifications - 1510733

- Integrated touch sensor control with memory
- Energy efficient LED lighting 3000 - 6000K
- 4290 Lumens
- CRI 90+
- Integrated Defogger
- Quality polished edge mirror
- Single phase wire installation, silver backed, copper free
- Construction for surface mounting
- Includes installation hardware



	Wattage	74.4 W		
Size	36"x48"	Lumens	4290LM	
CC T	3000 - 6000K	Input Voltage	100-120VAC	
CRI	>90	LED/Me ter	3.95	

## Dimensions



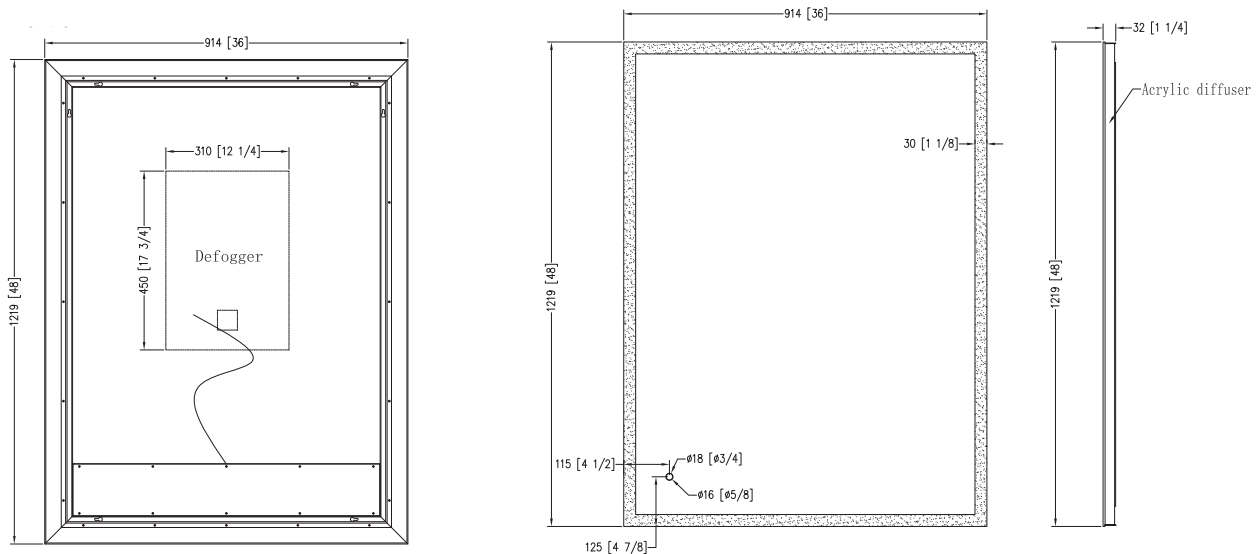
## 36" X 48" Specifications - 1510738

- Integrated touch sensor control with memory
- Energy efficient LED lighting 3000 - 6000K
- 4200 Lumens
- CRI 90+
- Integrated Defogger
- Quality polished edge mirror
- Single phase wire installation, silver backed, copper free
- Construction for surface mounting
- Includes installation hardware



	Wattage	73.9 W	
Size	36"x 48"	Lumens	4200LM
CC T	3000 - 6000K	Input Voltage	100-120VAC
CRI I	>90	LED/Me ter	3.9

## Dimensions



# LED Vanity Mirrors

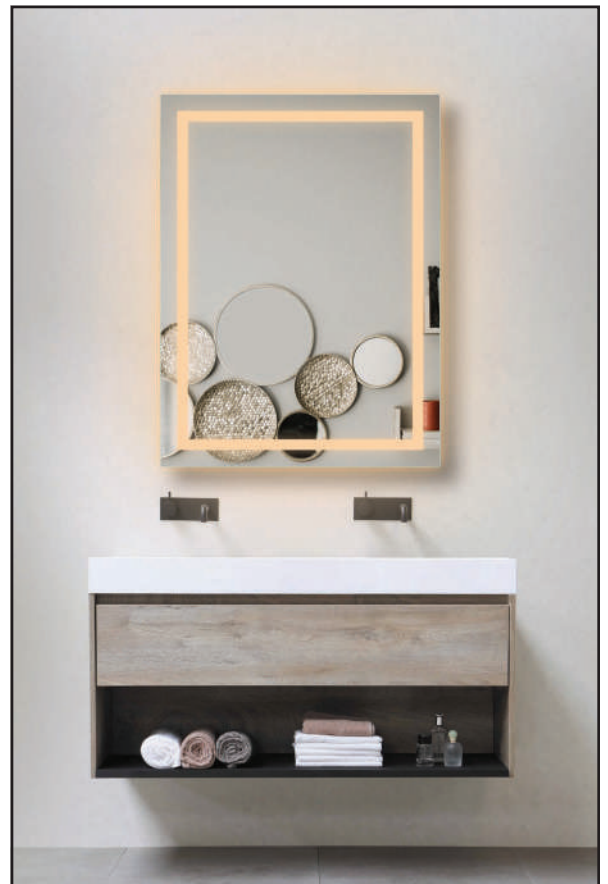
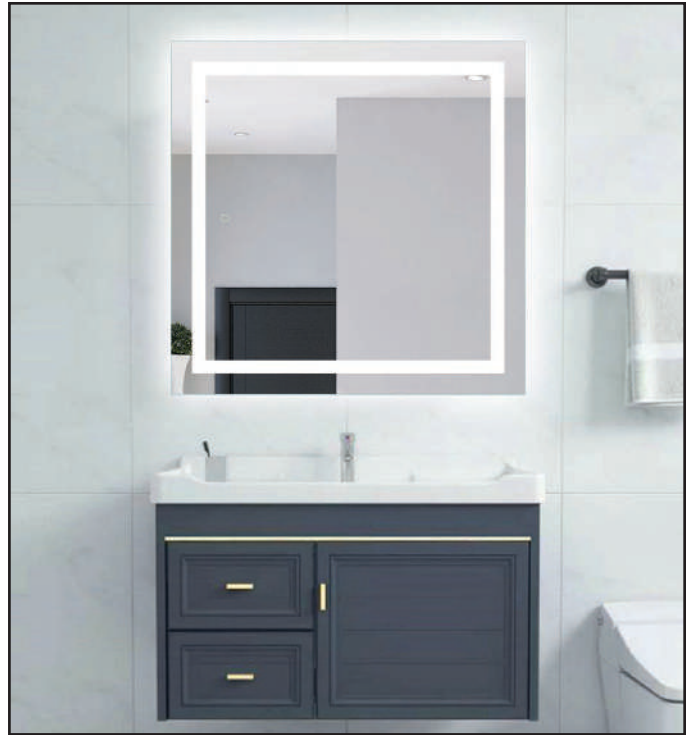


## Application

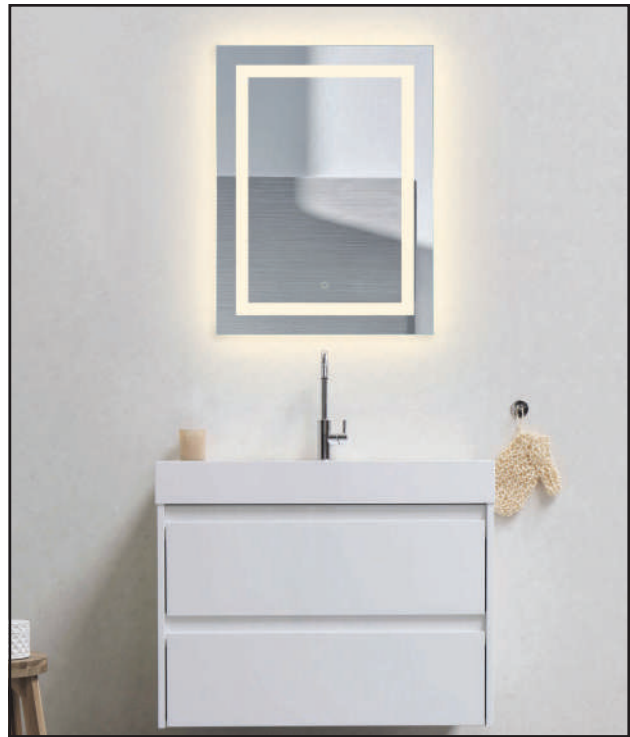




# LED Vanity Mirrors



# LED Vanity Mirrors



LED VANITY LIGHTING