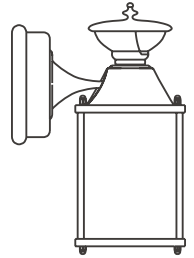




**Questions?**

For customer service please call us at 1-888-743-5766  
Office Hours: 8:00 a.m. – 5:00 p.m. PST Monday-Friday



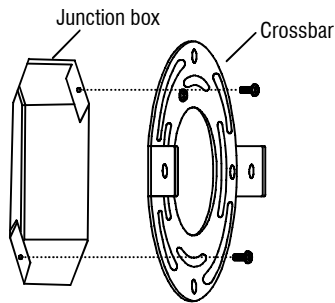
**PLEASE REVIEW THE INSTRUCTIONS AND WARNINGS LISTED BELOW PRIOR TO PROPER INSTALLATION**

WARNINGS	CAUTIONS
<ul style="list-style-type: none"> <li>• Risk of fire / electrical shock</li> <li>• LED Fixture installation requires knowledge of luminaire electrical systems.</li> <li>• Risk of electric shock – disconnect power at source before installation</li> <li>• Do not make or alter any open holes in an enclosure of wiring or electrical components during installation.</li> <li>• If lamp or luminaire exhibits abnormal operation (buzzing, flickering, minimal light, etc.), turn off power, remove fixture and contact us. For more information please visit <a href="http://www.eurilighting.com">www.eurilighting.com</a> or call our toll-free number 1-888-743-5766.</li> </ul>	<ul style="list-style-type: none"> <li>• Do not use with dimmers.</li> <li>• Do not look directly at the operating LED Fixture.</li> <li>• Do not touch this product with wet hands.</li> <li>• Do not disassemble, repair or alter lamp.</li> <li>• Designed for outdoor applications only.</li> <li>• Suitable for wet locations.</li> <li>• The luminaires shall be grounded.</li> <li>• Be careful not to touch the lamp pins to the metal housing when installing.</li> <li>• This Device is not intended for use with emergency exits or emergency lights.</li> </ul>

**SAFETY INSTRUCTIONS**

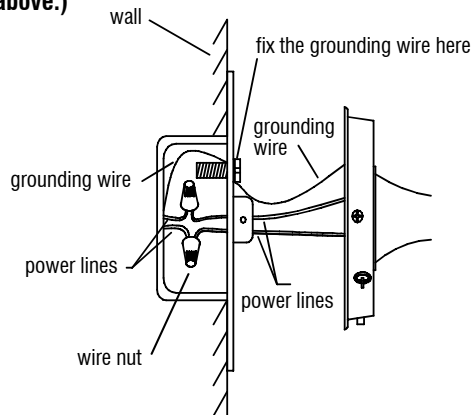
**Fig.1**

1. Fix the crossbar to the junction box with screws.  
**(See Figure 01)**



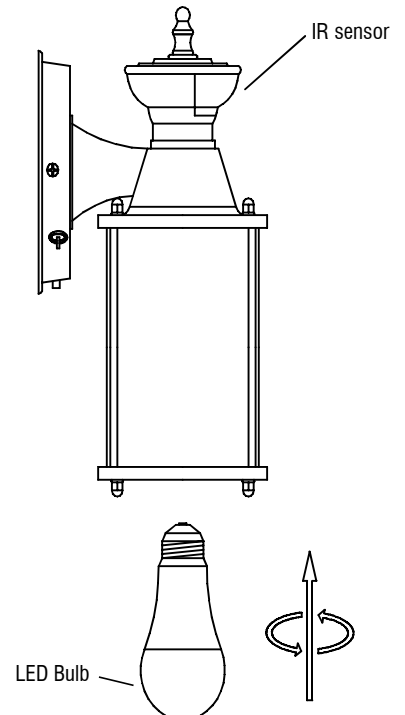
**Fig.2**

2. Use the wire nuts to connect the white power line to the white power line from the wall. And do the same to the black power line. Connect the grounding wire from the fixture to the grounding wire from the wall, and fix the grounding wire to the green screw. **(See Figure 02 or wiring diagram above.)**



**Fig.3**

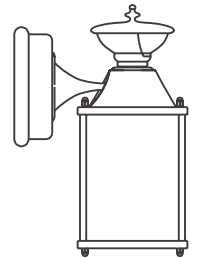
3. Secure the fixture onto the crossbar with screws.  
4. Screw included LED bulb into the socket.  
**(See Figure 03)**





**Questions?**

For customer service please call us at 1-888-743-5766  
Office Hours: 8:00 a.m. – 5:00 p.m. PST Monday-Friday



**PLEASE REVIEW THE INSTRUCTIONS AND WARNINGS LISTED BELOW PRIOR TO PROPER INSTALLATION**

**SPECIFICATIONS OF PIR DUAL SENSOR**

**Function and Operation**

Choose a mode by sliding the switch on the bottom of the backplate of the fixture. When power is first applied, the light will turn on immediately. Wait for 20 seconds to allow the sensor to warm up.

**1. TEST MODE (daytime and nighttime operation.)**

The light will turn to low-level brightness (50% brightness). The light will turn to high-level brightness (100% brightness) when motion is detected, and stay on as long as the motion is continuing. The light will revert to low-level brightness about 5 seconds after motion is no longer detected.

**2. AUTO MODE (nighttime operation only; on at dusk, off at dawn)**

At dusk, the light will turn to low-level brightness (50% brightness). The light will turn to high-level brightness (100% brightness) when motion is detected, and stay on as long as the motion is continuing. When the motion stops, the light will remain on for the predetermined time set (5 ~ 300 seconds), and then revert to low-level brightness.

The light will turn off automatically at dawn.

**3. D2D MODE (nighttime operation only; on at dusk, off at dawn)**

The light will turn to high-level brightness (100% brightness) at dusk. It will turn off at dawn.

**4. Manual Override Mode (6-hours auto Rest)**

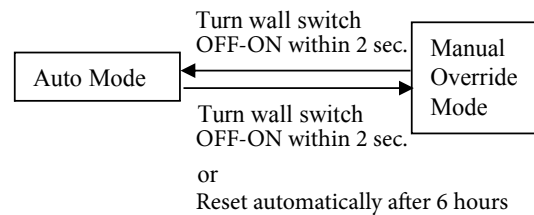
To shift to the manual override mode, set the switch to "AUTO" Mode. Turn the wall switch "OFF" and then turn it "ON" within 2 seconds. The light will remain on for 6 hours. To shift back to the "AUTO" mode, turn the wall switch "OFF" and then turn it "ON" within 2 seconds again.

**(See Fig.4)**

The light will turn off automatically at dawn

**Fig.4**

Manual Override Operation Diagram



**Note:** To make sure the above functions operate properly, always keep the wall switch in the "ON" position (including the daytime).

**CUSTOMIZATION OPTIONS:**

**Shut-off Delay**

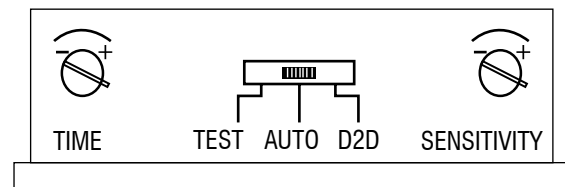
The Shut-off delay is the length of time the light will stay at high-level brightness after motion has ceased to be detected. This Shut-off delay can be set when the operation is in "AUTO" mode by using the "TIME" knob located on the left side of the panel at the bottom of the backplate **(See Fig.5).**

To increase the shut-off delay, turn the knob clockwise. To decrease shut off delay, turn the knob counterclockwise. The delay may be adjusted from a minimum of 5 seconds to a maximum of 5 minutes. The light will stay on as long as motion is detected continuously and will automatically turn to low-level brightness when no more motion is detected after the delay time has passed.

**The sensitivity of the Motion Sensor**

The sensitivity of the motion sensor can be adjusted by using the "SENSITIVITY" knob located on the right side of the panel at the bottom of the backplate **(See Fig.5).** To increase sensitivity, turn the knob clockwise. To decrease sensitivity, turn the knob counterclockwise. The sensitivity may be adjusted from a minimum of 5 feet to a maximum of 30 feet.

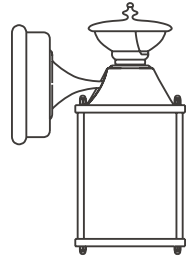
**Fig.5**





**Questions?**

For customer service please call us at 1-888-743-5766  
Office Hours: 8:00 a.m. – 5:00 p.m. PST Monday-Friday



**PLEASE REVIEW THE INSTRUCTIONS AND WARNINGS LISTED BELOW PRIOR TO PROPER INSTALLATION**

**SPECIFICATIONS OF PIR DUAL SENSOR**

**FEATURES:**

- 1. MOTION SENSOR FUNCTION-**At dusk the Light fixture will be turn on for a low-level illumination. When the motion sensor detects any moving heat sources(such as people and vehicles), the Light fixture will be switched from the low-level illumination to a high-level illumination for a short duration time. After the short duration time, the light returns to the low-level illumination until to dawn for saving energy.
- 2. MANUAL OVERRIDE-**The user many manually turn on the light from inside his home using a wall switch.
- 3. Uses a 17W dimmable LED light bulb.**

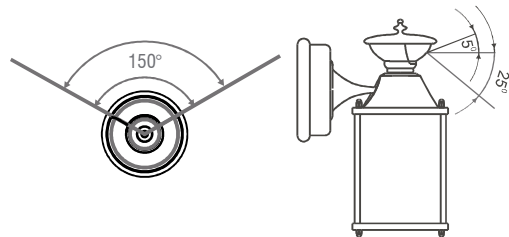
**SPECIFICATIONS:**

Motion Sensor Range:	Up to 30 ft(Varies with surrounding temperature)
Sensor Detection Angle:	150°
Electrical Requirements:	120 VAC, 60HZ
Max Load:	26W LED dimmable Bulb
Insallation Height:	6.5+0.7 Ft (1.8-2.2M)

**SELECTING A LOCATION:**

- 1. When selecting a location, be aware of the motion sensor’s maximum range of 30 ft and 150° detection angle (Fig.6).** In addition, be aware of its 25° detection down-angle(from horizontal) (Fig.2). Mounting the fixture too high or in front of a sloped surface, such as an uphill walkway or driveway, may affect the motion sensor’s effectiveness.
- 2. Select locations away from heat sources, such as heating vents, air conditioners, and heated swimming pools.**

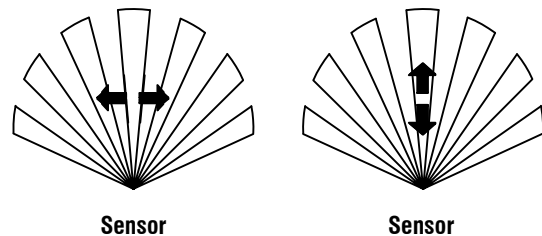
**Fig.6**



**SELECTING A LOCATION (CONTINUED):**

- 1. When selecting a location, be aware that the motion sensor is more sensitive to movement across its coverage area and less sensitive to the movement toward or away from the motion sensor (Fig.7)**
- 2. Select locations away from nighttime light sources, such as street lamps or other light fixtures.** They may shine light onto the fixture’s photocell sensor(located beneath the sensor), this light might cause the circuit to “think” that it is daytime and not allow the fixture’s functions to operate.
- 3. Be aware that shade from a porch or an eave may not allow enough daylight to shine onto the photocell sensor and may cause the circuit to “think” that it is nighttime, and subsequently cause the light to come on during the daytime.**
- 4. Be aware that motorized equipment, such as power tools, on the same electrical circuit, may cause oscillation on the electrical line which might cause the fixture to malfunction**

**Fig.7**



**TEST THE LIGHT FIXTURE**

**The sensitivity knob adjusts the amount of distance that is required to activate the unit. To set to a desired level of sensitivity:**

- 1-** Turn on the circuit breaker and the light switch. The sensor has about 20 seconds warm-up period before it will detect motion. When first turned on, wait about 20 seconds.
- 2-** Set the Time switch to the “TEST” position and the Sensitivity knob set in the middle position of minimum and maximum position. The lights turn off in about 5 seconds. Keep in mind a better sensitivity is achieved by walking across the coverage area, not walking towards or away from the motion sensor.