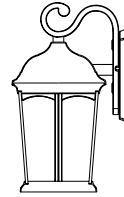




Questions?

For customer service please call us at 1-888-743-5766
Office Hours: 8:00 a.m. – 5:00 p.m. PST Monday-Friday
www.eurilighting.com



LED FLAME LANTERN

PLEASE REVIEW THE INSTRUCTIONS AND WARNINGS LISTED BELOW PRIOR TO PROPER INSTALLATION

WARNINGS	CAUTIONS
<ul style="list-style-type: none"> • Risk of fire / electrical shock • LED Fixture installation requires knowledge of luminaire electrical systems. • Risk of electric shock – disconnect power at source before installation. • Do not make or alter any open holes in an enclosure of wiring or electrical components during installation. • If lamp or luminaire exhibits abnormal operation (buzzing, flickering, minimal light, etc.), turn off power, remove lamp and contact us. For more information please visit www.eurilighting.com or call our toll-free number 1-888-743-5766. 	<ul style="list-style-type: none"> • Do not use with dimmers. • Do not look directly at the operating LED Light Source. • Do not touch this product with wet hands. • Do not disassemble, repair, or alter lamp. • Designed for outdoor applications only. • Suitable for wet locations. • The luminaires shall be grounded. • Be careful not to touch the lamp pins to the metal housing when installing. • This Device is not intended for use with emergency exits or emergency lights.

OPERATING INSTRUCTIONS
<ul style="list-style-type: none"> • The motion sensor on this fixture has a built-in Dusk-to-Dawn sensor that automatically disables the motion sensor during daylight hours regardless if motion is detected. • The 120-degree coverage of the motion sensor is measured side to side. Therefore, the sensor will be better at detecting motion across the field of view (side-to-side), rather than movement coming straight at the sensor (in-and-out).

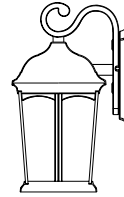
TROUBLESHOOTING
<ul style="list-style-type: none"> • Extreme hot or cold weather can affect the performance of the built-in sensors that detect body heat. Certain winter clothing can shield a person’s body heat from the sensor during extremely cold weather. During extremely hot weather, the sensor may not be able to distinguish the difference between normal body temperatures and surrounding high temperatures. The sensor will begin working normally once weather conditions return to normal.

PROBLEM	POSSIBLE CAUSE	CORRECTIVE ACTION
In motion sensing mode, the light does not turn on when there is motion.	<ol style="list-style-type: none"> 1. The wall switch of the circuit breaker is off. 2. Incorrect or loose wire connections. 3. Too much sunlight is shining into the photocell sensor in the early evening. 4. Too much light is shining onto the photocell sensor due to another light source, such as a street lamp or other light fixture. 5. Moving persons or vehicles are below the view of the motion sensor because the motion sensor is mounted too high. 	<ol style="list-style-type: none"> 1. Turn on the switch or circuit breaker. 2. Check wire connections. 3. Relocate fixture away from a western facing wall. 4. a. Eliminate or turn off any other light sources. b. Block other light sources from shining onto the photocell sensor. c. Test the fixture in a different location. 5. Adjust the height of installation.
In motion sensing mode, the light stays on continuously.	False triggering is caused by a heat source, such as a heater of a dryer vent, or heated swimming pool.	<ol style="list-style-type: none"> a. Eliminate heat source. b. Test the fixture in a different location.
The light comes on for no apparent reason.	<ol style="list-style-type: none"> 1. Street or sidewalk traffic is triggering the motion sensor. 2. False triggering caused by a heat source, such as a heater or dryer vent, or heated swimming pool. 	<ol style="list-style-type: none"> a. Eliminate heat source. b. Test the fixture in a different location.
The light comes on during the daytime or too early in the evening.	The fixture may be installed in a shaded area, such as under a porch or eave, preventing daylight from shining onto the photocell sensor.	Test the fixture in a different location.



Questions?

For customer service please call us at 1-888-743-5766
Office Hours: 8:00 a.m. – 5:00 p.m. PST Monday-Friday
www.eurilighting.com



LED FLAME LANTERN

PLEASE REVIEW THE INSTRUCTIONS AND WARNINGS LISTED BELOW PRIOR TO PROPER INSTALLATION

Basic Sensor Function

• (First power-on, Light Engine (security light) start-up warm-up Time: 15 ± 8 sec, the flame bulb will be off, after the completion of the start-up warm-up into Auto Mode, no lights during the day)

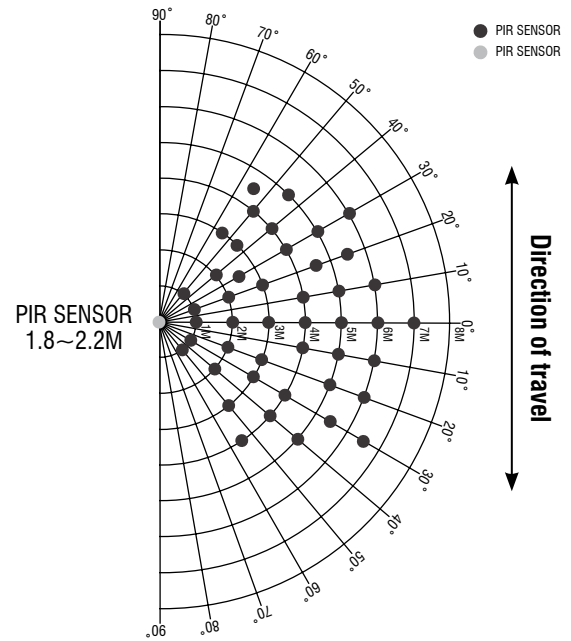
In the evening, when the ambient light reaches a Lux between 5 ~ 60, the flame bulb will turn on, and the security light will turn off. When the sensor detects human activity, the flame bulb will turn off, and the security light will turn on.

The security light will turn off after 30 ± 10 sec, and the flame bulb will turn back on. If human activity is continuously detected, the security light will stay on until the last detection with a delay of 30 ± 10 seconds. After the security light turns off, the flame bulb will turn back on.

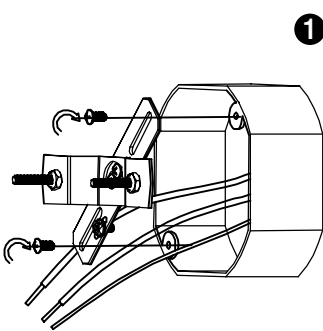
At dawn, when the ambient (surrounding) light reaches a max of 600 Lux, the security light or flame bulb will turn off after 60 ± 10 seconds.

When the flame lantern is installed between 1.8m (6FT) - 2.2m (7FT) above ground, it will detect human activity moving between speed of 0.6m (2FT) - 1.5m (5FT) per second with a minimum range of 6M (20FT) and a maximum of 120 degrees.

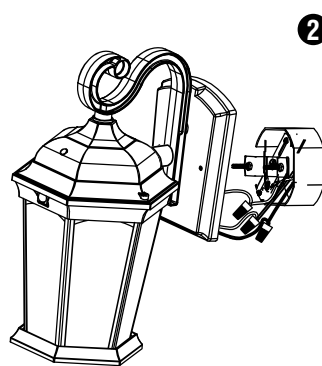
The product installation detection figure



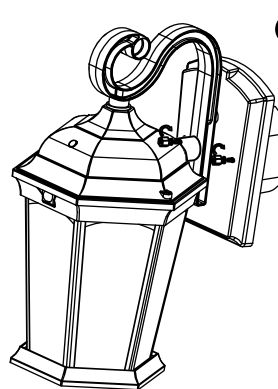
INSTALLATION INSTRUCTIONS



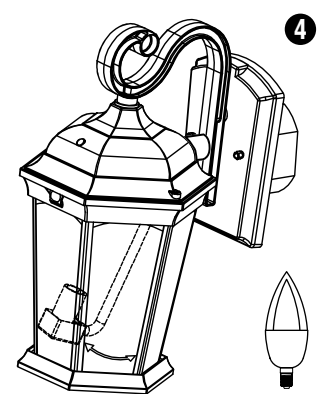
1



2



3



4

Fixture Installation (Lantern)

1. Please cut off power to the fixture before beginning installation.
2. Install the mounting plate to the junction box.
3. Connect the wires using all three wire nuts (positive, neutral, and ground).
4. Install the fixture body and screw nuts tightly.

Fixture Installation (Flame Bulb)

1. Please cut off power before installation.
2. Move the E12 base to the side and screw flame lamp into socket.
3. Turn the E12 base to original position.