

# LED PARKING GARAGE LIGHT



Nothing But LEDs Parking Garage Light is a modern and efficient lighting solution designed specifically for parking garage environments. With its sleek and contemporary design this light fixture not only provides ample illumination but also enhances the overall aesthetic of the parking area. Our parking garage light comes with 60W & 90W also with (DOB) Driver on Board technology which offers high lumens per watt for maximum power savings and rebates from power companies. Our DOB Parking Garage Light is built to withstand the challenging conditions of a parking garage, including exposure to dust, moisture and temperature fluctuations. Its robust construction and durable materials make it a reliable option for long-term use, minimizing maintenance requirements and associated costs.

## Product Features

- Up to 115 lumens per watt
- No Dimming
- Lumileds Chip SMD 2835
- Energy saving, long lifespan
- Beam Angle 150° Degree
- Light is soft and uniform, safe to eyes
- Green and eco-friendly without mercury
- Input Voltage 120-277VAC
- UL Listed
- 3 Year warranty

# LED PARKING GARAGE LIGHT



| SKU #   | Model #                 | Watt | Lumens  | CCT   | Housing | Input Voltage | Dimming    | Certification |
|---------|-------------------------|------|---------|-------|---------|---------------|------------|---------------|
| 1560694 | BLT-PGD01-60WBD8A1-WH50 | 60W  | 6900Lm  | 5000K | White   | 120-277V      | No Dimming | UL            |
| 1560695 | BLT-PGD01-90WBD8A1-WH50 | 90W  | 10350Lm | 5000K | White   | 120-277V      | No Dimming | UL            |

## SKU# 1560694 Specifications

| Parameter           | Description             | Value                   |
|---------------------|-------------------------|-------------------------|
| General Performance | Model #                 | BLT-PGD01-60WBD8A1-WH50 |
|                     | Wattage                 | 60W                     |
|                     | Lumen                   | 6900LM                  |
|                     | Lumen Efficacy          | Up to 115LM/W           |
|                     | Color Temperature       | 5000K                   |
|                     | CRI (Ra)                | >80                     |
|                     | Beam Angle              | 150°Degree              |
|                     | Diffuser Type           | PC Lens                 |
| Electrical          | Input Voltage           | 120-277Vac              |
|                     | Frequency               | 50/60Hz                 |
|                     | THD                     | ≤25%                    |
|                     | Dimming                 | No Dimming              |
|                     | Power Factor            | ≥0.93                   |
|                     | Driver Brand            | DOB Driver              |
|                     | Driver Model            | N/A                     |
|                     | Driver Surge Protection | L/N-PE: 2kV, L-N: 2kV   |
| Physical            | Flicker Percent         | <30%                    |
|                     | Operating Temperature   | -30°C TO 45°C           |
|                     | Operating Humidity      | 20% - 90% RH            |
|                     | Storage Temperature     | -40°C TO 80°C           |
|                     | Storage Humidity        | 10% - 95% RH            |
|                     | LED Brand               | LUMILEDS                |
|                     | LED Type                | SMD2835                 |
|                     | LED QTY                 | 120 PCS                 |
| Qualification       | Housing                 | Die-cast Aluminum       |
|                     | Housing Color           | White                   |
|                     | IP Rating               | WET (IP65)              |
|                     | Warranty                | 3 Year warranty         |

# LED PARKING GARAGE LIGHT

SKU# 1560695

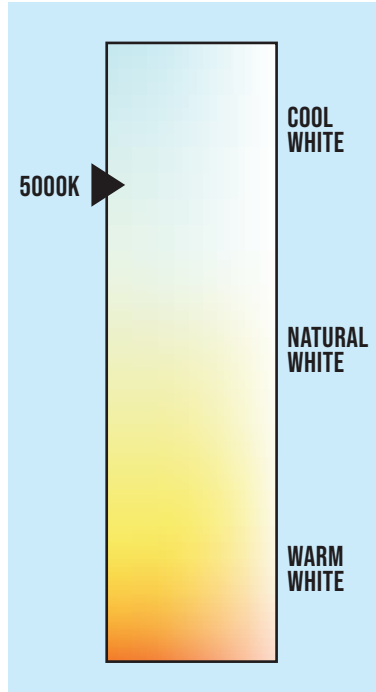
## Specifications

| Parameter           | Description             | Value                   |
|---------------------|-------------------------|-------------------------|
| General Performance | Model #                 | BLT-PGD01-90WBD8A1-WH50 |
|                     | Wattage                 | 90W                     |
|                     | Lumen                   | 10350LM                 |
|                     | Lumen Efficacy          | Up to 115LM/W           |
|                     | Color Temperature       | 5000K                   |
|                     | CRI (Ra)                | >80                     |
|                     | Beam Angle              | 150°Degree              |
|                     | Diffuser Type           | PC Lens                 |
| Electrical          | Input Voltage           | 120-277Vac              |
|                     | Frequency               | 50/60Hz                 |
|                     | THD                     | ≤25%                    |
|                     | Dimming                 | No Dimming              |
|                     | Power Factor            | ≥0.93                   |
|                     | Driver Brand            | DOB Driver              |
|                     | Driver Model            | N/A                     |
|                     | Driver Surge Protection | L/N-PE: 2kV, L-N: 2kV   |
|                     | Flicker Percent         | <30                     |
| Physical            | Operating Temperature   | -30°C TO 45°C           |
|                     | Operating Humidity      | 20% - 90% RH            |
|                     | Storage Temperature     | -40°C TO 80°C           |
|                     | Storage Humidity        | 10% - 95% RH            |
|                     | LED Brand               | LUMILEDS                |
|                     | LED Type                | SMD2835                 |
|                     | LED QTY                 | 210 PCS                 |
|                     | Housing                 | Die-cast Aluminum       |
|                     | Housing Color           | White                   |
| Qualification       | IP Rating               | WET (IP65)              |
|                     | Warranty                | 3 Year warranty         |

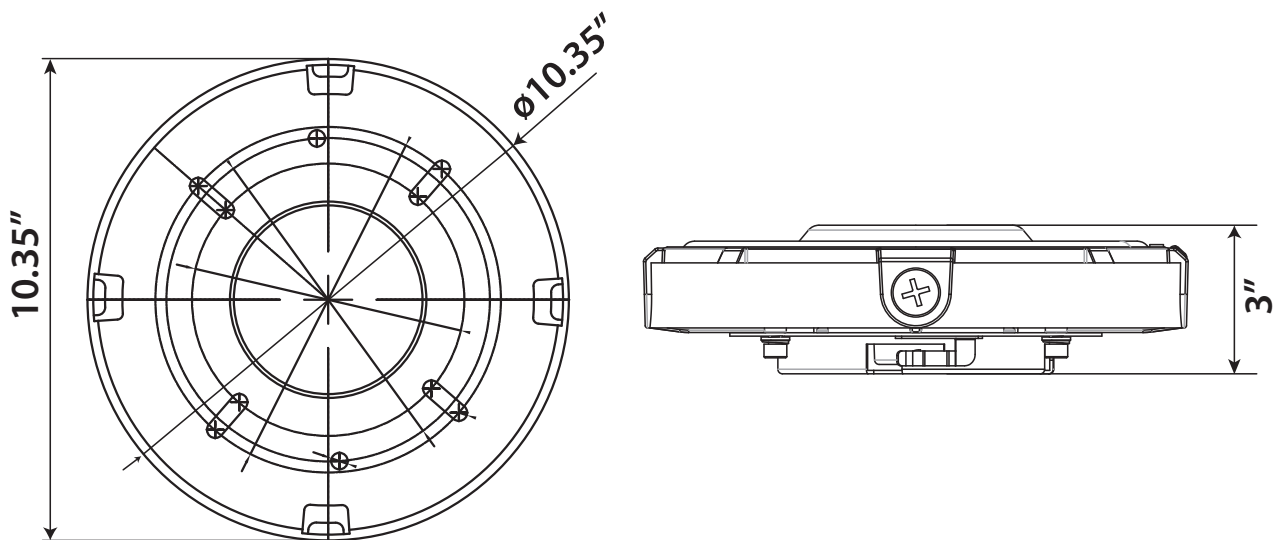
# LED PARKING GARAGE LIGHT



## Correlated Color Temperature (CCT)



## Dimensions



# LED PARKING GARAGE LIGHT

SKU# 1560694

Photometric Data

## Luminaire Property

Luminaire Manufacturer:  
Voltage: 119.9 V  
Power: 61.65 W

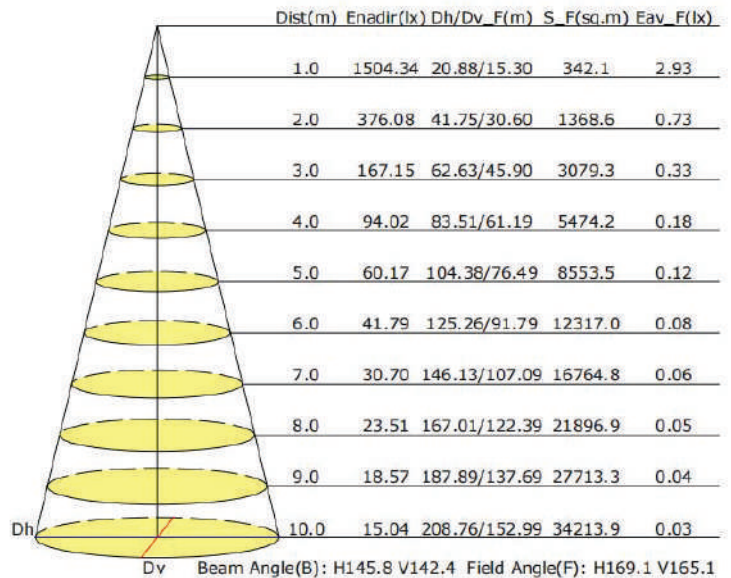
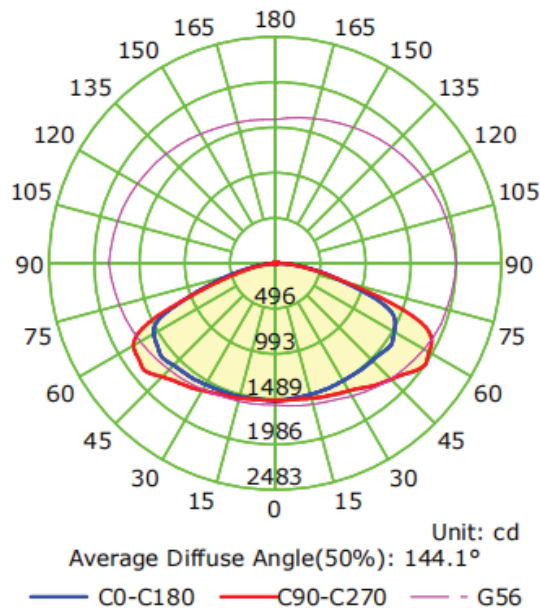
Current: 0.530 A  
Power Factor: 0.969

## Photometric Results

IES Classification: Type IV  
Total Rated Lamp Lumens: 7507.6 lm  
Efficiency: 100%  
Upward Ratio: 1%  
Central Intensity: 1504.34 cd  
Pos of Max. Intensity: H90 V56

Longitudinal Classification: Very Short  
Measurement Flux: 7507.6 lm  
Downward Ratio: 99%  
Luminaire Efficacy Rating (LER): 121.83  
Max. Intensity: 1986.62 cd

Luminous Intensity Distribution Curve



# LED PARKING GARAGE LIGHT



## Installation

### Cautions:

1. Do not use any electric generator to test the LED light.
2. Please abide by related country, regional and local law and regulations when install this fixture.
3. Please turn off the power before installation or maintenance.
4. Proper grounding is required to ensure safety.

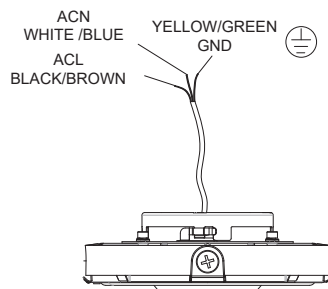
### Notice:

1. To avoid possibility of electrical shock or fire, the installation personnel must have professional electric knowledge.
2. Please wear gloves to avoid injury before installation.
3. If any smoke or spark of the wire happened, please turn off the power immediately and notify relevant personnel.

### Attention:

1. Please check if there is any damage during shipping. If so, please contact manufacturer timely.
2. Please read the installation instruction carefully to check whether all the accessories are available. After confirmation, install the LED light according to installation steps.

### Wiring Diagram & Instruction:



### Installation Methods:

**Ceiling Mount, 3/4" NPT Mount. (Please choose the most suitable installation method for the purchased product as per your needs)**

#### 3/4" NPT mount:

1. Connect the cord to the local power supply in the 3/4" NPT Stem (Figure 1).
2. Screw the fixture to the 3/4" NPT Stem (Figure 2).

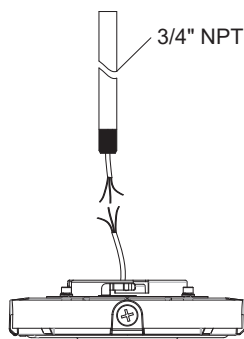


Figure 1

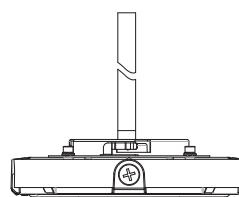


Figure 2

# LED PARKING GARAGE LIGHT

## Installation

### Ceiling Mount:

1. Take off the Plate Bracket from the fixture (Figure 3).
2. Mark with a mark pen or sharp tool on the mounting surface and drill, make them match to the holes on the fixture (Figure 4).
3. Fix the Plate Bracket on the ceiling with a screwdriver (Figure 5).
4. Connect the wire of the fixture to the mains according to local wiring rules, ensure the connection is stable and make good protection on connection.
5. Align the fixing plate bracket with the hole on fixture (Figure 5) and push the fixture into it and turn to fix it as the direction of arrow.

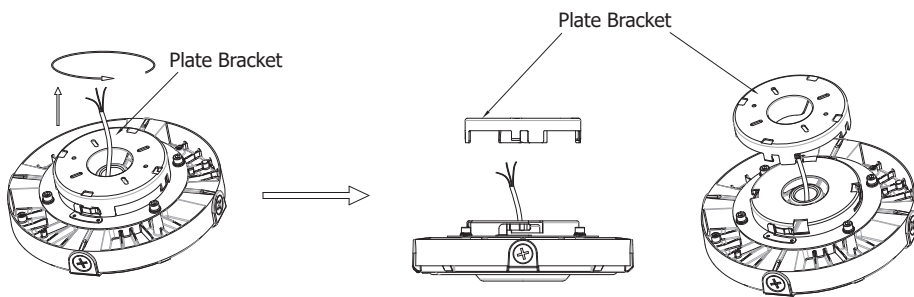


Figure 3

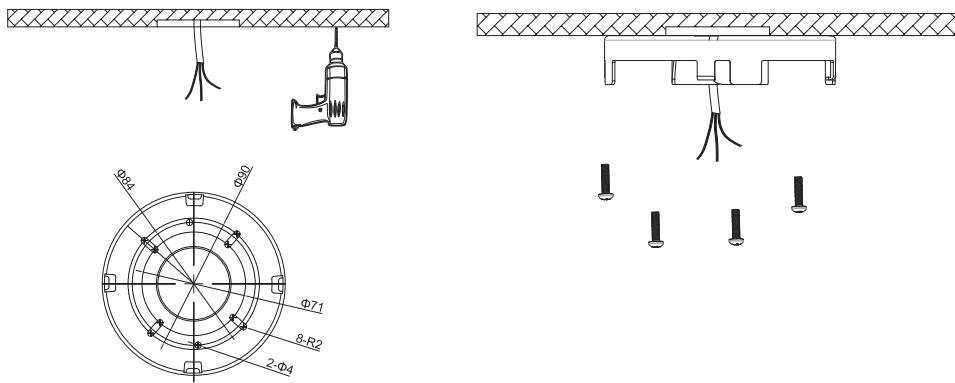


Figure 4

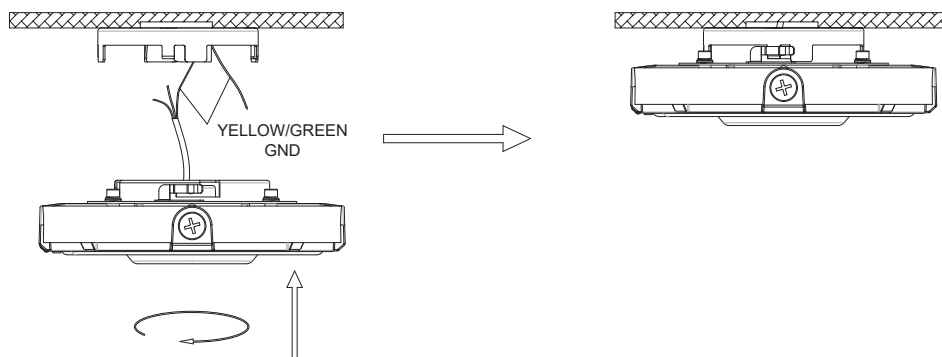


Figure 5

# LED PARKING GARAGE LIGHT



## Installation

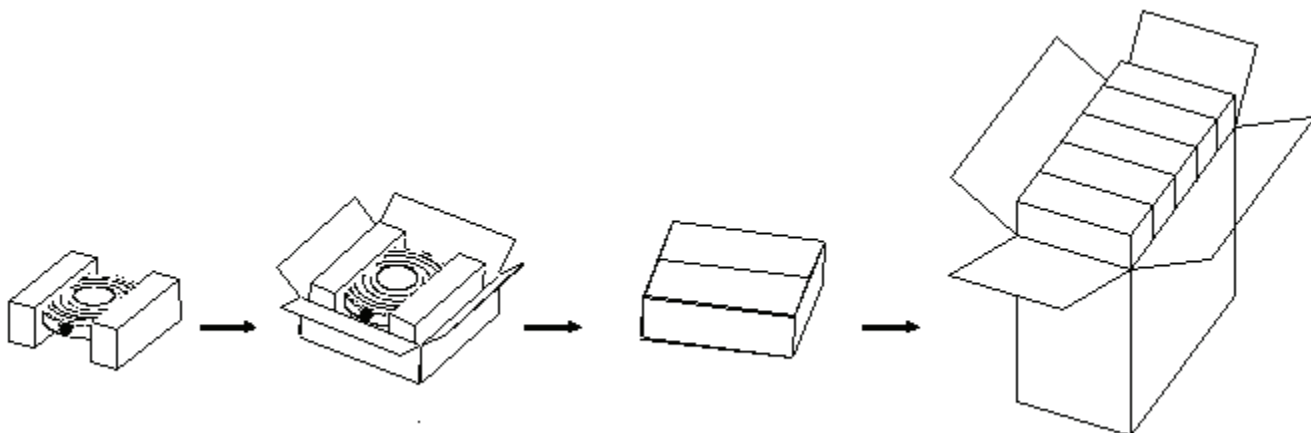
- Please turn off power before install or change assembly parts.
- The input voltage and lamps should be matched, after connecting the power line, Please make sure the wiring section is insulated.
- No-professionals, must not install and disassemble the lamps.

## Trouble Shootings

| Troubles                | Check Points   |
|-------------------------|--|
| Flickering Of The Light | Turn off the power and turn on again in 3 minutes.<br>If same phenomena occur, then call agencies. |
| Out Of Working          | Please check the connection.   |

## Package

| SKU     | Box Type  | Carton Size           | Qty / Carton | Net Weight / Carton | Gross Weight / Carton |
|---------|-----------|-----------------------|--------------|---------------------|-----------------------|
| 1560694 | Inner Box | 10.75 x 3.94 x 10.75  | 1 Pc         | 3.74 LBS            | 4.32 LBS              |
|         | Outer Box | 20.47 x 11.34 x 11.53 | 5 Pcs/Box    | 21.60 LBS           | 22.70 LBS             |
| 1560695 | Inner Box | 12.13 x 3.94 x 12.13  | 1 Pc         | 4.32 LBS            | 4.80 LBS              |
|         | Outer Box | 20.47 x 12.72 x 12.91 | 5 Pcs/Box    | 24.03 LBS           | 25.9 LBS              |





# LED PARKING GARAGE LIGHT

## Application Image



## Warranty

3 Year Warranty