

# LED CANOPY LIGHT



Nothing But LED's LED Canopy Light Luminaire offers exceptional performance, efficiency and a unique design. Features such as high lumens per watt, outstanding efficacy and field serviceability, make it an ideal commercial canopy solution. The contractor-friendly LED canopy Light luminaire includes fasteners and a locking collar, making installation easy, secure and water-tight. It can be surface mounted easily from below the canopy deck and also has the ability to be pendant mounted.

## Product Features

- Up to 140 lumens per watt
- 0-10V Dimmable
- Beam Angle 120° Degree
- Built-in 10KV Surge Protector
- 3/4" Pipe mount
- Die cast Aluminum white housing
- IP65 Rated
- Input Voltage 120-277VAC
- UL & DLC Listed
- 5 Year warranty

# LED CANOPY LIGHT

SKU #	Model #	Wattage Adjustable	Lumens	CCT Adjustable	Housing	Input Voltage	Dimming	Certifications
1560782	CP05-150L-3CCT	100W/120W/150W	Max 21000Lm	4K/5K/5700K	White	120-277V	0-10V	UL & DLC
1560783	CP06-200L	200W	28000Lm	5700K	White	120-277V	0-10V	UL & DLC

SKU: 1560782		Specifications
Parameter	Description	Value
General Performance	Model #	CP05-150L-CS-3CCT
	Wattage Adjustable	100W / 120W / 150W
	Lumen	Max 21000LM
	Lumen Efficacy	Up to 140LM/W
	Color Temperature	4000K / 5000K / 5700K
	CRI (Ra)	>80
	Beam Angle	120°Degree
	Diffuser Type	PC Lens
Electrical	Input Voltage	120-277Vac
	Frequency	50/60Hz
	THD	≤20%
	Dimming	0-10V
	Power Factor	≥0.9
	Driver Brand	Sosen
	Driver Model	SS-160NH-E Series
	Driver Surge Protection	L/N 6KV, L/N-P 6KV
Flicker Percent	<5%	
Physical	Operating Temperature	-40°C To 45°C
	Operating Humidity	10% - 90% RH
	Storage Temperature	-40°C TO 90°C
	Storage Humidity	5% - 95% RH
	LED Brand	Lumileds
	LED Type	SMD2835
	LED QTY	520 Pcs
	Housing	ADC12 Aluminum Die Casting
Housing Color	White	
Qualification	IP Rating	IP65
	Warranty	5 Year warranty

# LED CANOPY LIGHT

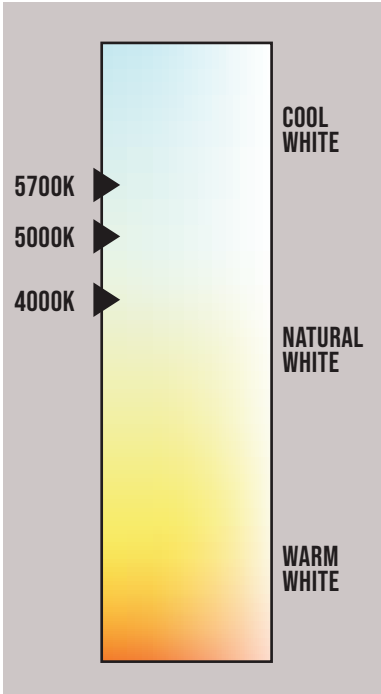
**SKU: 156783**

## Specifications

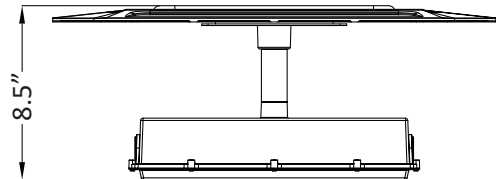
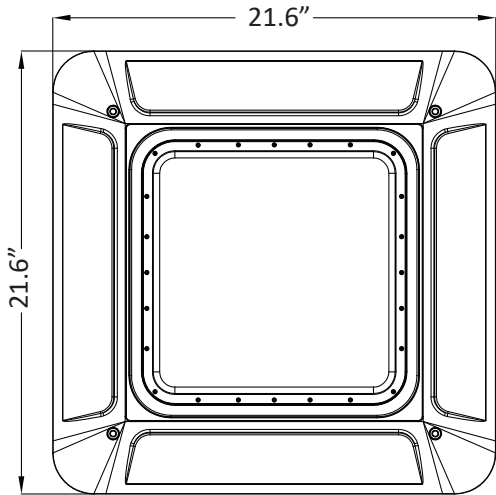
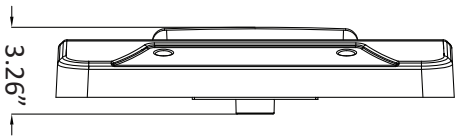
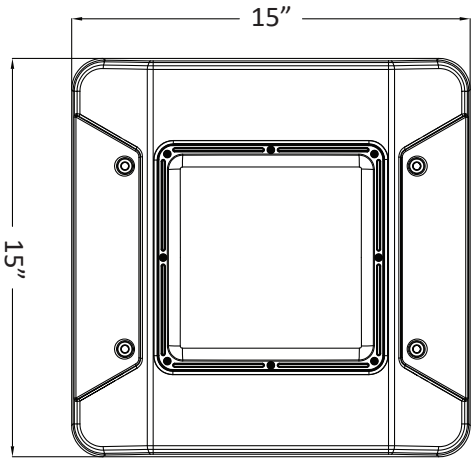
Parameter	Description	Value
General Performance	Model #	CP06-200L-D-57
	Wattage	200W
	Lumen	28000LM
	Lumen Efficacy	Up to 140LM/W
	Color Temperature	5700K
	CRI (Ra)	>80
	Beam Angle	120°Degree
	Diffuser Type	PC Lens
Electrical	Input Voltage	120-277Vac
	Frequency	50/60Hz
	THD	≤20%
	Dimming	0-10V
	Power Factor	≥0.9
	Driver Brand	BQ
	Driver Model	BQ-200B2-260 Series
	Driver Surge Protection	L/N 6KV, L/N-P 6KV
Flicker Percent	<5%	
Physical	Operating Temperature	-40°C To 45°C
	Operating Humidity	10% - 90% RH
	Storage Temperature	-40°C TO 90°C
	Storage Humidity	5% - 95% RH
	LED Brand	Lumileds
	LED Type	SMD2835
	LED QTY	624 Pcs
	Housing	ADC12 Aluminum Die Casting
Housing Color	White	
Qualification	IP Rating	IP65
	Warranty	5 Year warranty

# LED CANOPY LIGHT

## Correlated Color Temperature (CCT)



## Dimensions

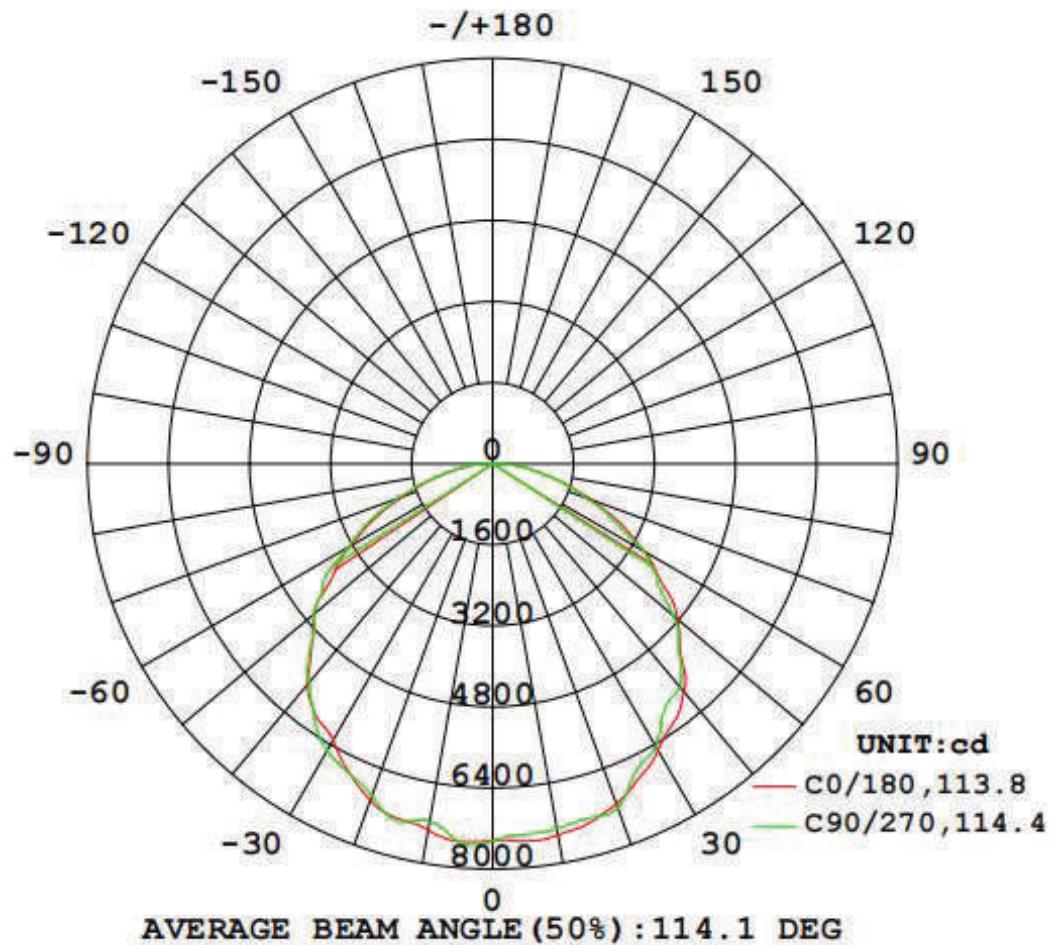


# LED CANOPY LIGHT

SKU: 1560782

Photometric Data

## Luminous Intensity Distribution



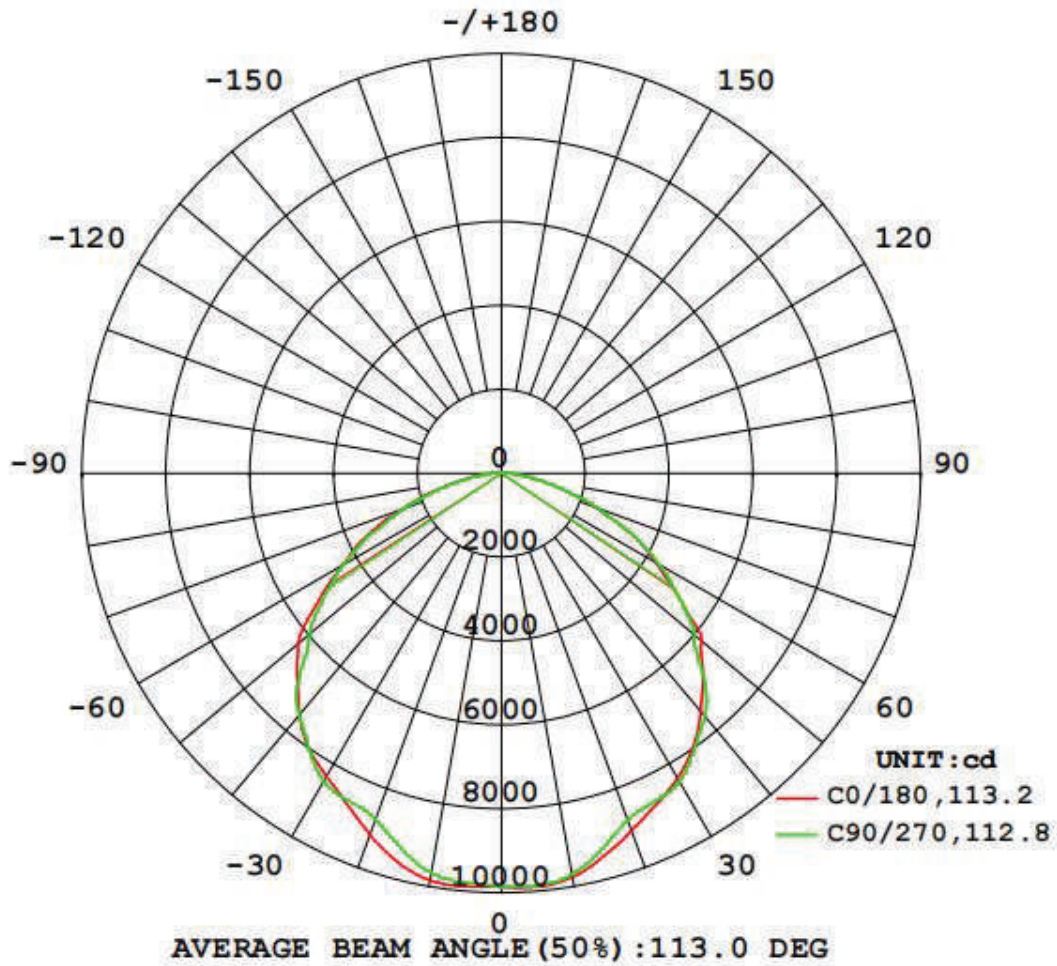
# LED CANOPY LIGHT



SKU: 1560783

Photometric Data

## Luminous Intensity Distribution



# LED CANOPY LIGHT

## Installation - SKU: 1560782

Please read the user manual carefully and follow it. This will help to prevent damage of the product, prolong its lifespan and it will be helpful for your normal use and maintenance, to ensure that your life safety. Please keep the manual properly.

Part No.	Input Voltage	Frequency	Power	Rated Current
CP05-120	AC120-277V	50/60Hz	120W	1.1A
CP05-150	AC120-277V	50/60Hz	150W	1.38A

### WARNINGS

THE LED CANOPY MUST BE INSTALLED IN ACCORDANCE WITH ALL APPLICABLE ELECTRICAL CODES BY PERSONS FAMILIAR WITH THE INSTALLATION, OPERATION, AND/OR MAINTENANCE OF THE PRODUCTS AND THE HAZARDS INVOLVED. THE LED CANOPY MUST BE INSTALLED WITH UL LISTED CONDUIT FITTINGS.

- Risk of fire or electric shock.
  - 1-1 Make sure the working voltage of LED Canopy is under its rated voltage.
  - 1-2 Make sure the accessories and wires are completed and intact during the installation.
  - 1-3 Installation requires knowledge of electrical systems. For install by qualified electrician only.
    - Do not attempt installation if not qualified.
  - 1-4. This fixture should only be installed in place of existing luminaries that have the construction features and dimensions specified in this manual.
- Do not expose any wire to edge of sheet metal and/or other sharp objects that may cause damage or abrasion.
- Do not change existing open holes or create any additional open holes in the fixture or its components during installation.

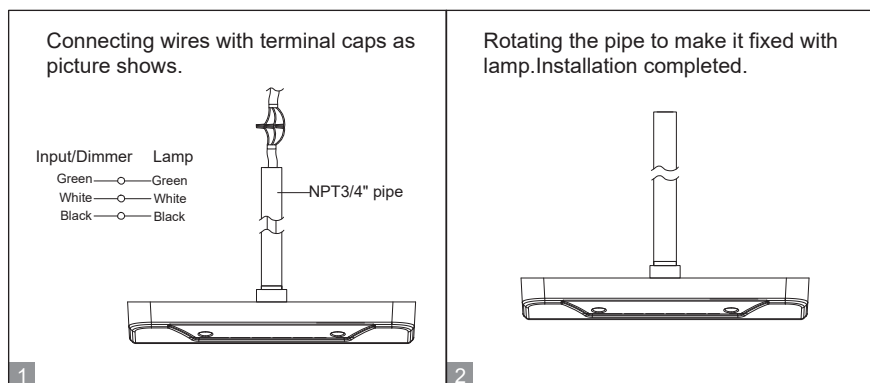
### CAUTIONS

- Be certain electrical power is OFF before and during installation and maintenance.
- To prevent wiring damage or abrasion, do not expose wiring to edges of sheet metal or other sharp objects.
- Do not use the LED Canopy near heating appliances/ elements.
- The input voltage and lamps should be matched after connecting the power line, please make sure the wiring section is insulated.

LED Canopy must be operated within an ambient temperature range of -22°F to 113°F (-30°C to + 45°C).

LED Canopy is not intended for use with emergency exits.

### Installation Method I: Pole-Pendant Installation

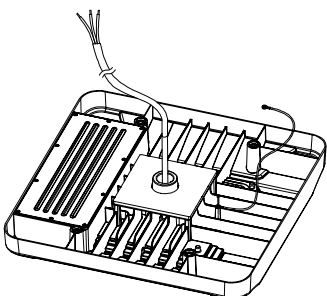
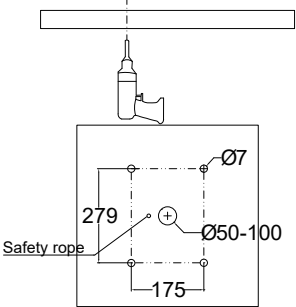
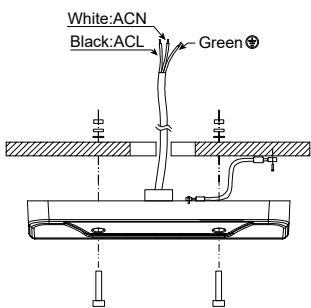


# LED CANOPY LIGHT

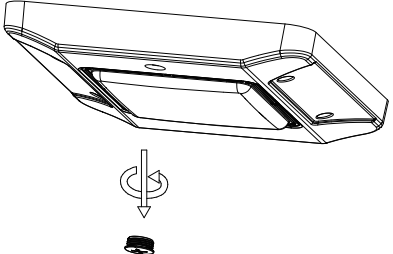
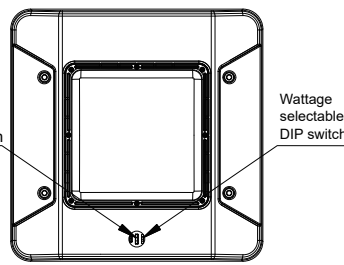
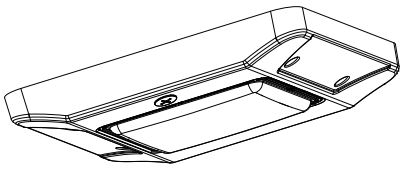


## Installation

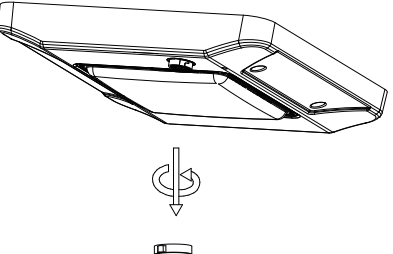
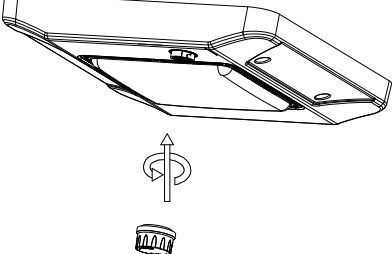
### Installation method II: Ceiling Installation

<p>Secure one side of the safety cord to the back of the radiator.</p>  <p>1</p>	<p>Use the hole cutter to cut the corresponding sized holes in the ceiling.</p>  <p>2</p>	<p>Fixed the safety rope on the ceiling. Making a wiring connection according to the wiring diagrams. Fixed the fixture on the ceiling with bolts and nuts. Installation done.</p>  <p>3</p>
---	--	---

### Selectable CCT and wattage function installation

<p>Unscrew the cap;</p>  <p>1</p>	<p>Adjust the CCT selectable DIP switch or the wattage selectable DIP switch accordingly;</p>  <p>2</p>	<p>Tighten the cap</p>  <p>3</p>
--	--	--

### Sensing function installation

<p>Unscrew the cap;</p>  <p>1</p>	<p>Tighten the motion sensor;</p>  <p>2</p>
--	--



# LED CANOPY LIGHT

## Installation - SKU: 1560783

Please read the user manual carefully and follow it. This will help to prevent damage of the product, prolong its lifespan and it will be helpful for your normal use and maintenance, to ensure that your life safety. Please keep the manual properly

Part No.	Input Voltage	Frequency	Power	Rated Current
CP06-200	AC120-277V	50/60Hz	200W	1.83A

### WARNINGS

THE LED CANOPY MUST BE INSTALLED IN ACCORDANCE WITH ALL APPLICABLE ELECTRICAL CODES BY PERSONS FAMILIAR WITH THE INSTALLATION, OPERATION, AND/OR MAINTENANCE OF THE PRODUCTS AND THE HAZARDS INVOLVED. THE LED CANOPY MUST BE INSTALLED WITH UL LISTED CONDUIT FITTINGS.

1. Risk of fire or electric shock.

1-1 Make sure the working voltage of LED Canopy is under its rated voltage.

1-2 Make sure the accessories and wires are completed and intact during the installation.

1-3 Installation requires knowledge of electrical systems. For install by qualified electrician only.

Do not attempt installation if not qualified.

1-4. This fixture should only be installed in place of existing luminaries that have the construction features and dimensions specified in this manual.

2. Do not expose any wire to edge of sheet metal and/or other sharp objects that may cause damage or abrasion.

3. Do not change existing open holes or create any additional open holes in the fixture or its components during installation.

### CAUTIONS

1. Be certain electrical power is OFF before and during installation and maintenance.

2. To prevent wiring damage or abrasion, do not expose wiring to edges of sheet metal or other sharp objects.

3. Do not use the LED Canopy near heating appliances/ elements.

4. The input voltage and lamps should be matched after connecting the power line, please make sure the wiring section is insulated.

LED Canopy must be operated within an ambient temperature range of -22°F to 113°F (-30°C to +45°C). LED Canopy is not intended for use with emergency exits.

# LED CANOPY LIGHT

## Installation

<p>1</p> <p>Screw the plastic round tube inside the round tube on the back of the radiator.</p>	<p>2</p> <p>Secure the safety cord to the corresponding screw hole location on the back of the radiator.</p>	<p>3</p> <p>Use the hole cutting electric rotary to cut the corresponding size of holes on the ceiling.</p>
<p>4</p>	<p>5</p> <p>Use a screwdriver to loosen the screws on the top cover of the power box.</p>	<p>6</p> <p>Open the top cover of the power box, connect the two wires of the output of the power supply and the two wires of the input of the light board with the terminals, and then use a screwdriver to loosen the side of the rubber plug.</p>
<p>7</p> <p>Connect the three-core wires of the input side of the power supply to the three-core power cord with the terminals, and tighten the screws on the top cover of the power supply box with a screwdriver.</p> <p>Brown/Black: AC L Blue/White: AC N Green/Yellow: Ⓧ</p>	<p>8</p> <p>Twist the assembled power supply box onto the plastic round tube to complete the assembly.</p> <p>Brown/Black: AC L Blue/White: AC N Green/Yellow: Ⓧ</p>	<p>9</p> <p>Adding glue to pipe and screw hole. (Seeing location been pointed by arrow)</p>

## Wattage Adjustable (Optional)

<p>1</p> <p>Use a screwdriver to loosen the screws on the power box and remove it.</p>	<p>2</p> <p>Open the top cover of the power box and adjust the different power by dialing the dial handle on the dial box.</p> <p>Wattage DIP switch selectable</p>
--	---

# LED CANOPY LIGHT

## Package

SKU	Carton Size	Qty / Carton	Net Weight / Carton	Gross Weight / Carton
1560782	17.91 x 17.91 x 5.11	1 Pc	10.40 LBS	12.50 LBS
1560783	33.46 x 24.21 x 6.57	2 Pc	31.96 LBS	33.99 LBS

## Application Images



## Warranty

5 Year warranty