

LED COMMERCIAL DOWNLIGHT



Nothing But LED's Commercial Downlights are the most innovative and feature rich product of its kind. This new 2024 model offers 5 CCT Adjustable 2700K/3000K/3500K/4000K/5000K and 3 wattage adjustable. The LED Commercial Downlight produces lumens up to 100Lm/W which is perfect for ceilings up to 16ft height. Our Commercial Downlights is Perfect for corporate offices, medical/health, educational facilities, and more.

Product Features

Available in 6 Inch & 8 Inch

Up to 100 lumens per watt

5 CCT Adjustable 2700K/3000K/3500K/4000K/5000K

Wattage Adjustable

Compatible with emergency Backup (Optional)

0-10V Dimmable

Input Voltage 120-347Vac

Aluminum Housing

ETL & ES Listed

5 Years Warranty

LED COMMERCIAL DOWNLIGHT



SKU #	Model #	Wattage Adjustable	Lumens	CCT Adjustable	Size	Input Voltage	Dimming	Certifications
1560764	FXF01187	13W/19W/27W	3000Lm	2700K/3000K/3500K/4000K/5000K	6"	120-347Vac	0-10V	ETL & ES
1560765	FXF01188	18W/27W/36W	4000Lm	2700K/3000K/3500K/4000K/5000K	8"	120-347Vac	0-10V	ETL & ES

SKU: 1560764

Specifications

Parameter	Description	Value
General Performance	Model #	FXF01187
	Wattage Adjustable	13W/19W/27W
	Lumen	3000LM
	Lumen Efficacy	Up to 100LM/W
	Color Temperature	2700K/3000K/3500K/4000K/5000K
	CRI (Ra)	>80
	Beam Angle	90° Degree
	Diffuser Type	N/A
Electrical	Input Voltage	120-347Vac
	Frequency	60Hz
	Dimming	0-10V Dimming
	Power Factor	≥0.9
	Driver Surge Protection	N/A
	Flicker Percent	N/A
Physical	Operating Temperature	N/A
	Operating Humidity	N/A
	Storage Temperature	N/A
	Storage Humidity	N/A
	LED Type	N/A
	LED QTY	25 Pcs
	Housing	Aluminum
Housing Color	Silver	
Qualification	IP Rating	Damp
	Warranty	5 Years Warranty

LED COMMERCIAL DOWNLIGHT

SKU: 1560765

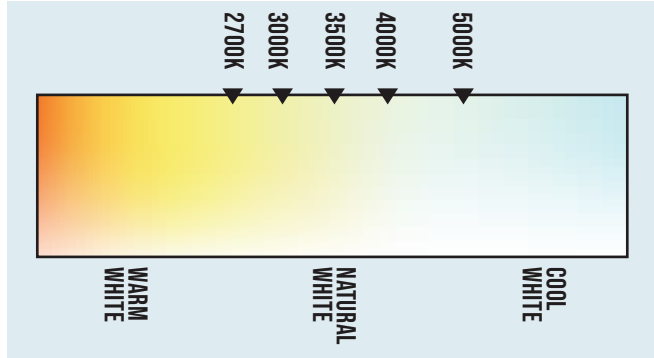
Specifications

Parameter	Description	Value
General Performance	Model #	FXF01188
	Wattage Adjustable	18W/27W/36W
	Lumen	4000LM
	Lumen Efficacy	Up to 100LM/W
	Color Temperature	2700K/3000K/3500K/4000K/5000K
	CRI (Ra)	>80
	Beam Angle	90° Degree
	Diffuser Type	N/A
Electrical	Input Voltage	120-347Vac
	Frequency	60Hz
	Dimming	0-10V Dimming
	Power Factor	≥0.9
	Driver Surge Protection	N/A
	Flicker Percent	N/A
Physical	Operating Temperature	N/A
	Operating Humidity	N/A
	Storage Temperature	N/A
	Storage Humidity	N/A
	LED Type	N/A
	LED QTY	25 Pcs
	Housing	Aluminum
	Housing Color	Silver
Qualification	IP Rating	Damp
	Warranty	5 Years Warranty

LED COMMERCIAL DOWNLIGHT



Correlated Color Temperature (CCT)



3POWER

Multiple Wattages Adjustable
Easily accessible switch allows selection between 3 wattages depending on output requirements

5CCT

Multiple CCT Adjustable
Easily accessible switch allows selection between 5 CCT depending on output requirements

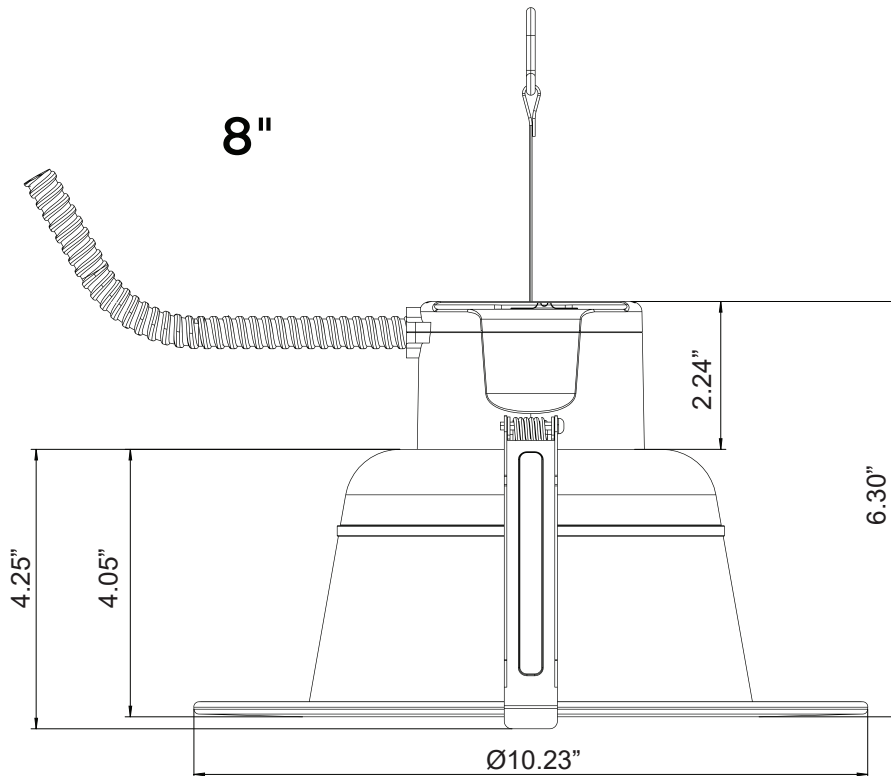
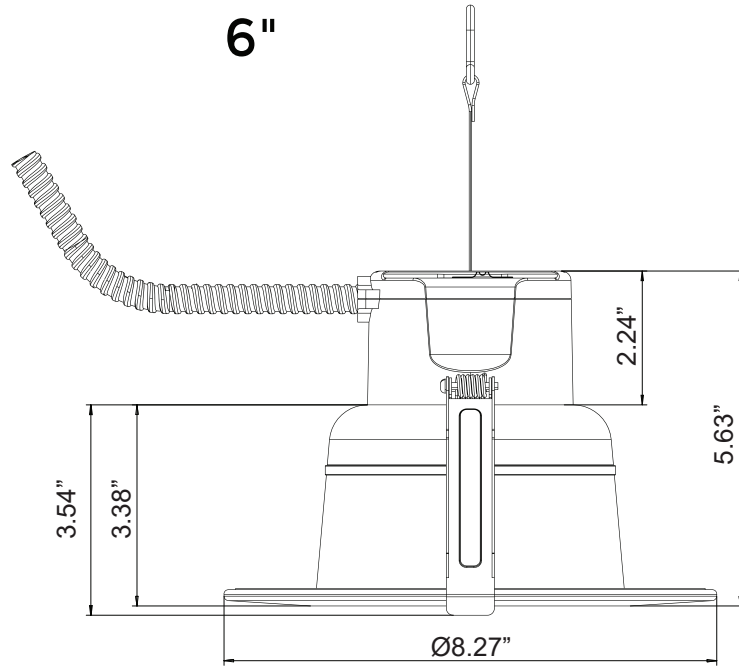
Accessories (Optional)



Model	Wattage	Input Voltage	Output Voltage	Emergency Time	Battery	Application
BLD-HM15D-YYY	15W	100-347Vac	170Vdc	90min	Li-ion	for 0-10V dim LED lights 100W, non-dim/triac dim LED lights 6~15W
BLD-HM20D-YYY	20W	100-347Vac	170Vdc	90min	Li-ion	for 0-10V dim LED lights 100W, non-dim/triac dim LED lights 6~20W

LED COMMERCIAL DOWNLIGHT

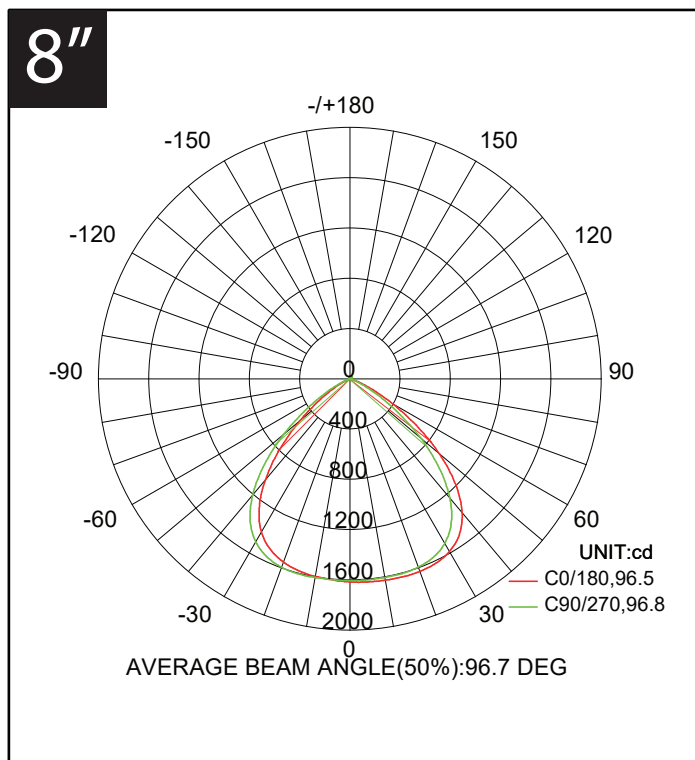
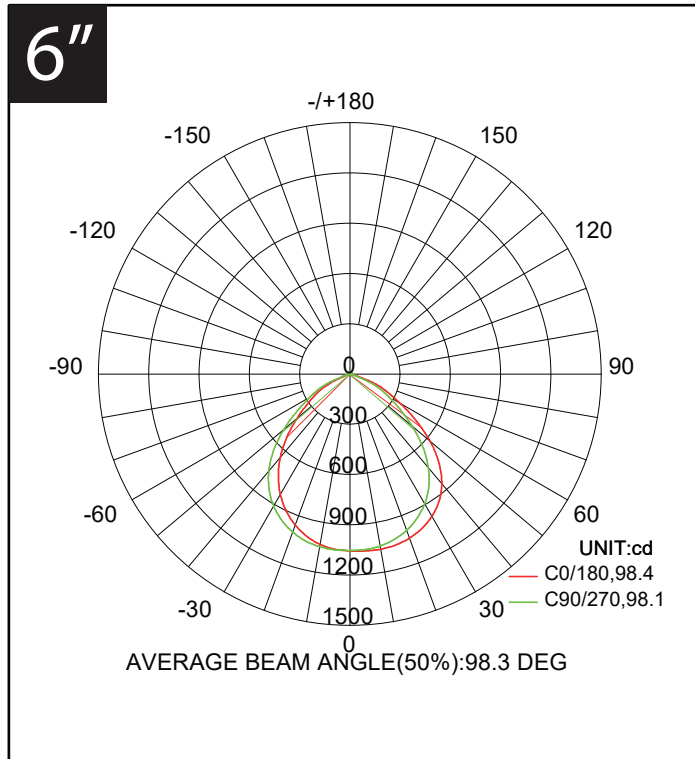
Dimensions



LED COMMERCIAL DOWNLIGHT



Photometric Data



LED COMMERCIAL DOWNLIGHT

Installation

READ ALL INSTRUCTIONS

WARNING - RISK OF FIRE OR ELECTRIC SHOCK. INSTALLATION REQUIRES KNOWLEDGE OF LUMINAIRE ELECTRICAL SYSTEMS. IF NOT QUALIFIED, DO NOT ATTEMPT INSTALLATION AND CONTACT A QUALIFIED ELECTRICIAN.

WARNING - THIS PRODUCT MUST BE INSTALLED IN ACCORDANCE WITH APPLICABLE INSTALLATION CODES BY A PERSON FAMILIAR WITH THE CONSTRUCTION AND OPERATION OF THE PRODUCT AND THE HAZARDS INVOLVED. WARNING - INSTALL THIS KIT IN ACCORDANCE WITH THE INSTALLATION INSTRUCTIONS ACCORDING TO THE DIMENSIONS AND SUPPLY VOLTAGE AND AMPERAGE RATINGS SHOWN.

DO NOT INSTALL THE LUMINAIRE NEAR ANY HEAT SOURCE.

TO AVOID INJURY OR DAMAGE TO THE LUMINAIRE, PLEASE ENSURE THAT THE POWER LEADS AND SCREWS ARE SECURE BEFORE CONNECTING POWER.

ALWAYS ENSURE THAT POWER IS OFF, AND THE LUMINAIRE HAS COOLED, BEFORE PERFORMING ANY MAINTENANCE, CLEANING, OR ADJUSTMENTS TO THE LUMINAIRE.

FCC NOTICE

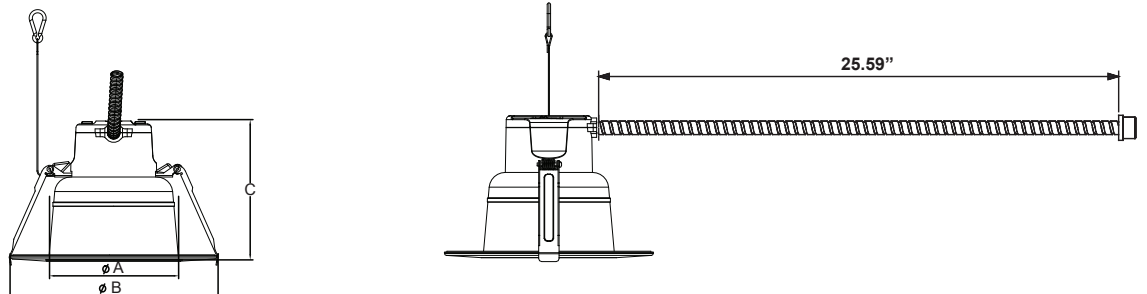
• This equipment has been tested and found to comply with the limits for a Class B digital device, pursuant to Part 15 of the FCC Rules. These limits are designed to provide reasonable protection against harmful interference in a residential installation. This equipment generates, uses and can radiate radio frequency energy and, if not installed and used in accordance with the instructions, may cause harmful interference to radio communications. However, there is no guarantee that interference will not occur in a particular installation. If this equipment does cause harmful interference to radio or television reception, which can be determined by turning the equipment on and off, the user is encouraged to try to correct the interference by one or more of the following:

1. Reorient or relocate the receiving antenna.
2. Increase the separation between the lighting unit and receiver.
3. Connect the lighting unit into an outlet on a circuit other than the outlet which the receiver is connected.
4. Consult the dealer or an experienced radio/TV technician for assistance.

NOTE: Please note that changes and modifications are not expressly approved by the party responsible for compliance could void the user's authority to operate the equipment.

Conforms to standard CAN-ICES 005(B) /NMB-005 (B)

TABLE 1



PRODUCTS COVERED								
Model	CCT Adjustable	Lumen output	System power consumption	A	B	C	Min. Cutout	Max. Cutout
6" CCT	2700/3000/3500	1500/2100/3000(LM)	13W/19W/27W	5.36"	8.27"	5.62"	5.91"	7.48"
8" CCT	/4000/5000(K)	2000/3000/4000(LM)	18W/27W/36W	6.54"	10.23"	6.29"	7.48"	9.45"

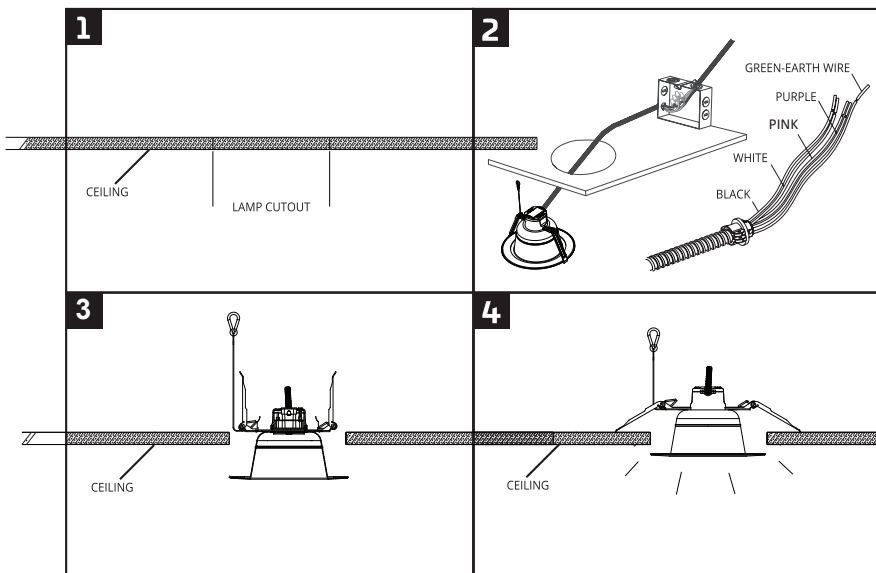
LED COMMERCIAL DOWNLIGHT



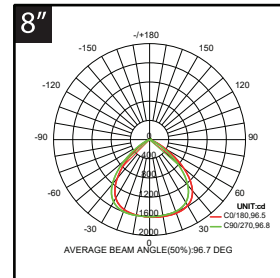
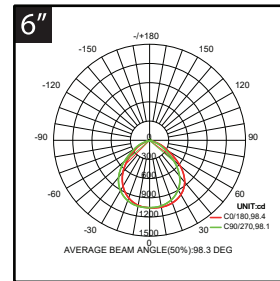
Installation

ALWAYS TURN OFF THE POWER SUPPLY FROM MAIN CIRCUIT BREAKER FIRST!

1. THERMAL RADIATION SPACE AND IRRADIATION DISTANCE MUST BE ENSURED. THE HEIGHT OF THE FIXTURE SHOULD BE NO LESS THAN 100MM. OPEN A HOLE IN CEILING ACCORDING TO CUTOUT SIZE OF THE LAMP.
2. CONNECT AC AND DC WIRES CORRESPONDINGLY AS SHOWN IN FIGURE 2.
3. BEND BACK THE SPRING CLIPS THEN PUSH THE LAMP INTO THE HOLE.
4. INSTALLATION COMPLETED. SWITCH ON.



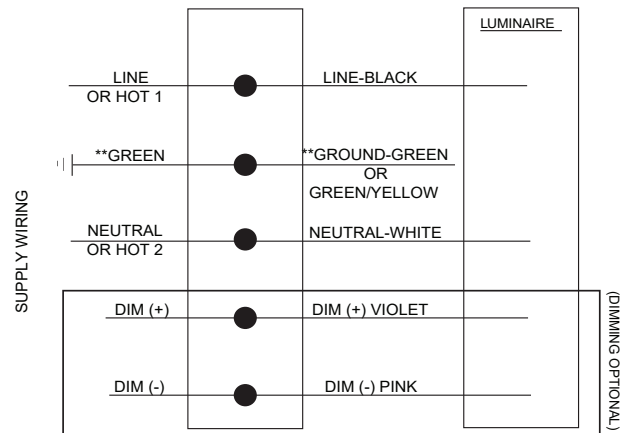
LUMINOUS INTENSITY DISTRIBUTION DIAGRAM



ELECTRICAL CONNECTIONS- STANDARD LUMINAIRE

Make the following Electrical Connections:

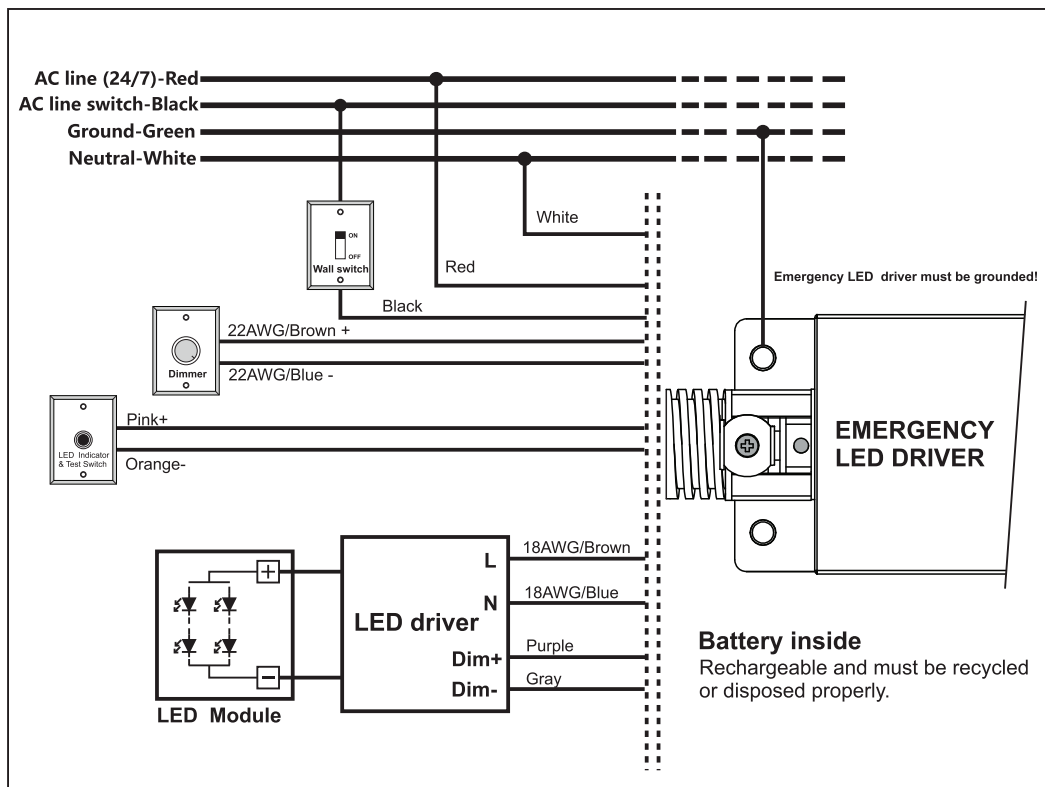
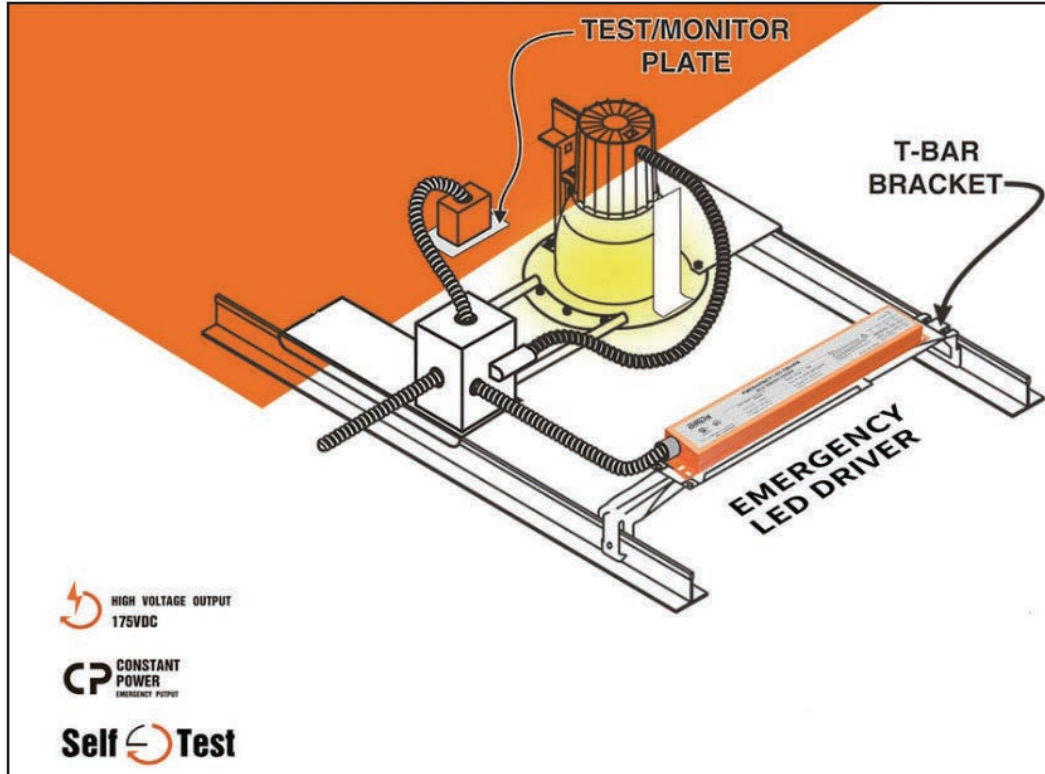
- For 120-347V connect the black fixture lead to the voltage supply or Hot 1 .
- For 120-347V connect the white fixture lead to the neutral supply or Hot 2 .
- Connect the green or green/yellow supply ground lead to the junction box
- If 0/1-10V Dimming is used, connect the violet lead to the supply positive dimming lead. If dimming is not being used ensure to cap off the violet lead. For dimming connections, use Class 1 wiring methods.
- If 0/1-10y Dimming is used, connect the pink lead to the supply negative dimming lead. If dimming is not being used ensure to cap off the pink lead. For dimming connections, use Class 1 wiring methods.



** Connect the green or green/yellow supply ground lead to the junction box

LED COMMERCIAL DOWNLIGHT

Wiring Diagram



LED COMMERCIAL DOWNLIGHT

Packaging

SKU #.	Box Type	Product Size	Dimension (Inches)	Qty	Net Weight	Gross Weight
1560764	Inner Box	6"	8.42 x 8.42 x 6.42	1		
	Outer Box	6"	20.03 x 17.48 x 9.21	6	8 LBS	11.94 LBS
1560765	Inner Box	8"	10.39 x 10.39 x 7.08	1		
	Outer Box	8"	22.04 x 21.57 x 11.18	6	9.83LBS	15.46 LBS

Applicaton Image



LED COMMERCIAL DOWNLIGHT



Applicaton Image



LED COMMERCIAL DOWNLIGHTS

Warranty

5 Year Warranty