

# EMERGENCY LED DRIVER



Nothing But LED's LED Emergency driver is the most innovative and feature-rich product of its kind. This new LED Emergency driver 2020 version is specially designed for LED Panels, Troffers, Downlights, High Bay fixtures, and it's also compatible with most indoor LED lighting fixtures. This new LED Emergency driver offers multiple selectable emergency power options from 8w to 20w. This new LED Emergency driver power will provide up to 90 minutes of backup power in case of a power failure.

## Product Features

- Listed for field installation-UL924 & CSA C22.2 NO.141
- Test Switch/Charging Indicator Light Low Voltage, illuminated Test Switch
- Constant output power (Auto sensing output within each range)
- Output Current & Voltage 320-600mA, 25V-48V
- Battery protections include over voltage, low voltage, over temperature and short circuit protection
- Temperature Rating (Ambient) 0°C to +50°C (32°F to 122°F)
- RoHS compliant
- AC Input Current 100mA max
- AC Input Power Rating 5.5W max
- Output Power 15W/20W max
- Illumination Time ≥90 Minutes
- Full Warranty 5 Years
- Output LVLE Compliant
- Input Voltage 100-347Vac
- Battery High-Temperature, Maintenance-Free, Ni-MH battery, 5 Years Life Expectancy
- Battery Charging Current 250mA
- Recharge Time ≥24Hours
- Meets CEC Title 20 (California Energy Commission) efficiency standards

# EMERGENCY LED DRIVER



SKU #	Model #	Watt	Recharge Time	Input Current	Emergency Time	Output Power	Output Voltage	Input Voltage	Certifications
1560740	BLD-YT15D-XXX	15W	24Hours	≤100mA	90 Minutes	15W Max 2	30V-60V / 61-170V	100-347Vac	UL
1560690	BLD-YT20D-XXX	20W	24Hours	≤100mA	90 Minutes	20W Max 2	30V-60V / 61-170V	100-347Vac	UL

## SKU: 1560740 Specifications

Parameter	Description	Value
General Performance	Model #	BLD-YT15D-XXX
	Wattage	15W
	Illumination Time	≥ 90 Minutes
	Recharge Time	≥ 24 Hours
	Efficiency	>80%
Electrical	Input Voltage	100-347Vac
	Input Current	100mA max
	Battery Charging Current	250mA
	Frequency	50/60Hz
	Charging Power	10W Max
	Emergency output	DC 30-60V
	Voltage range	DC61-120V
	Emergency output current range	500mA@30V - 250mA@60V 250mA@61V - 125mA@120V
	Emergency Response time	3 secs max
Physical	Operating Temperature	0°C TO 50°C
	Short Circuit Protection	YES
	Over Voltage Protection	YES
	Over Temperature Protection	YES
Qualification	IP Rating	IP20
	Warranty	5 Years

# EMERGENCY LED DRIVER

SKU: 1560690

## Specifications

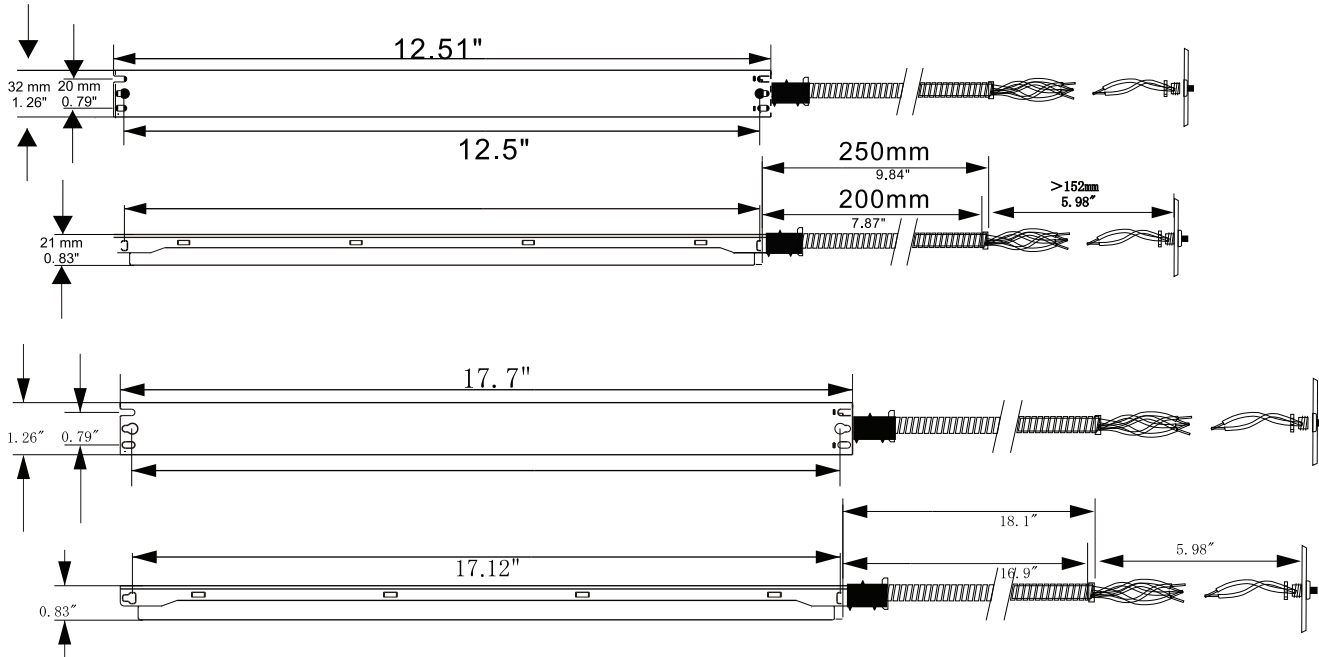
Parameter	Description	Value
General Performance	Model #	BLD-YT20D-XXX
	Wattage	20W
	Illumination Time	≥ 90 Minutes
	Recharge Time	≥ 24 Hours
	Efficiency	>80%
Electrical	Input Voltage	100-347Vac
	Input Current	100mA max
	Battery Charging Current	250mA
	Frequency	50/60Hz
	Charging Power	10W Max
	Emergency output	DC 30-60V
	Voltage range	DC61-120V
	Emergency output current range	667mA@30V - 333mA@60V 328mA@61V - 167mA@120V
	Emergency Response time	3 secs max
Physical	Operating Temperature	0°C TO 50°C
	Short Circuit Protection	YES
	Over Voltage Protection	YES
	Over Temperature Protection	YES
Qualification	IP Rating	IP20
	Warranty	5 Years

# EMERGENCY LED DRIVER



EMERGENCY LED DRIVER

## Dimensions



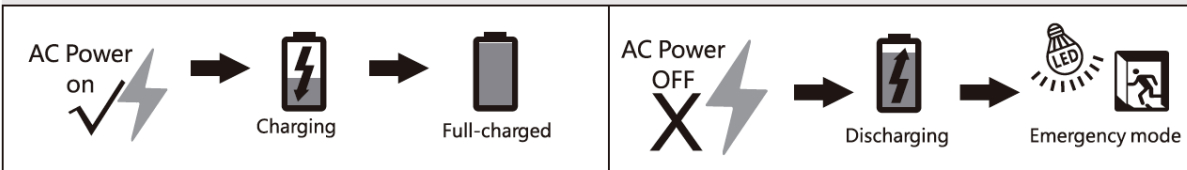
## Operation

### AC Operation:

AC power is present, The LED load from the LED driver is normal power supply, AC LED driver output current can not exceed 150W or 4A, the emergency driver is charging in a standby mode. The green LED light flashes indicates that it is charging. The green LED light on indicates that it is full charged. After the AC power supply working 48h, The emergency LED drive will automatically from AC power working switch into emergency working mode for 30S every month and then automatically backs to the working mode of the AC power supply, the AC power supply works per year for automatically from the AC power mode backs to the working emergency mode Until the emergency discharge is completed.

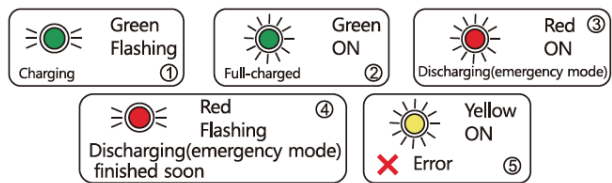
### Emergency operation:

When the AC power goes out, The emergency driver detects the AC power outage and automatically switch to the emergency mode.



### Indicator light introduction

- ① Green/flashing: Charging
- ② Green/on: Full-charged
- ③ Red/on: Discharging(emergency mode)
- ④ Red/flashing: Discharging(emergency mode) finished soon
- ⑤ Yellow/on: Error



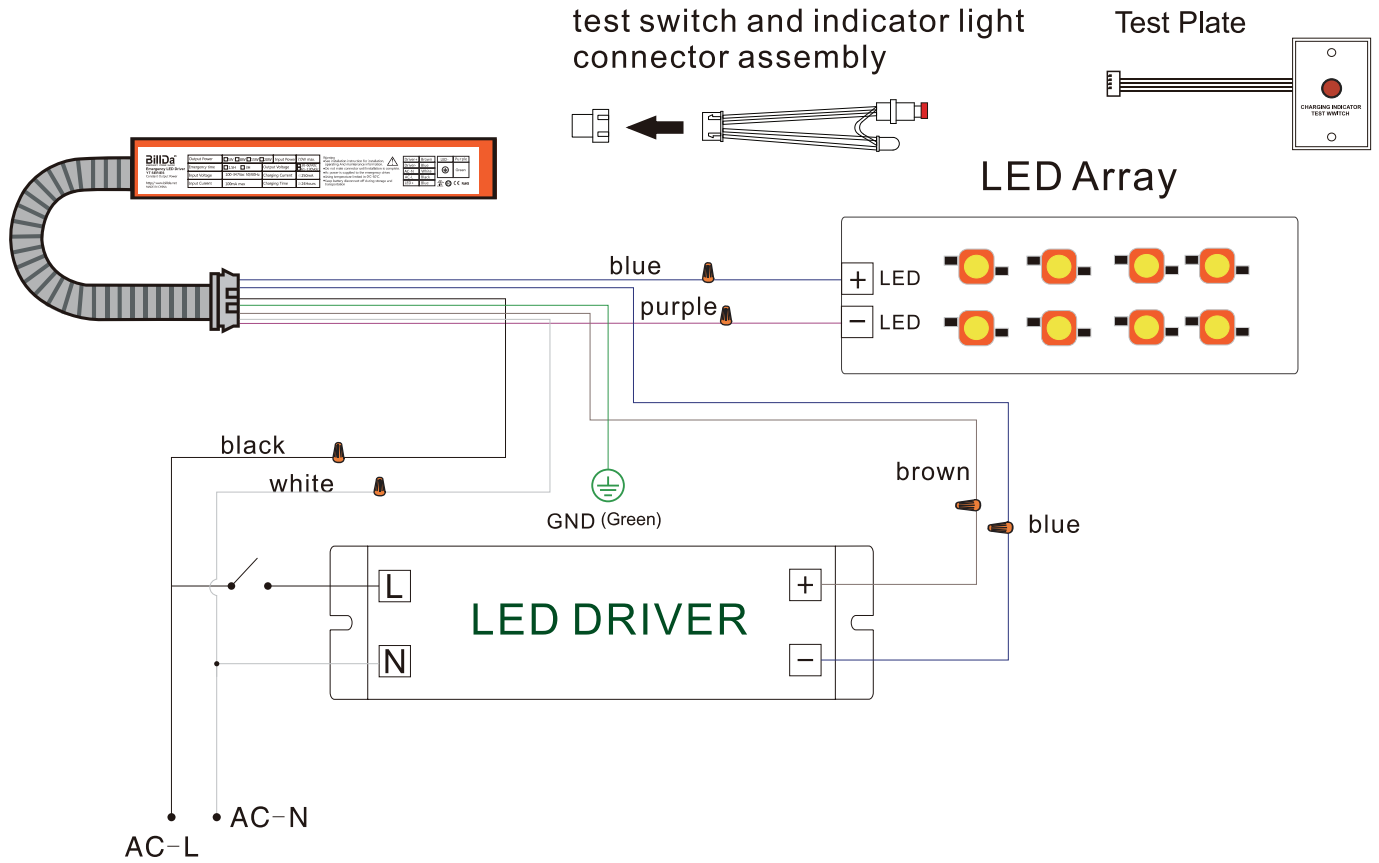
### Test switch introduction

Press the test switch to confirm whether the emergency function is normal



# EMERGENCY LED DRIVER

## Wiring Diagram & Instructions



1. DO NOT MATE CONNECTOR UNTIL INSTALLATIONS COMPLETE AND AC POWER IS SUPPLIED
2. TEST ACCESSORY LEADS - OBSERVE PROPER POLARITY WIRING.
3. KEEP BATTERY DISCONNECT SWITCH OFF DURING STORAGE AND TRANSPiration



## Product Dimensions

SKU	Model No.	Size (Inch)
1560740	BLD-YT15D-XXX	12.51 X1.26 X 0.83
1560690	BLD-YT20D-XXX	17.7 X1.26 X0.83

# EMERGENCY LED DRIVER



## Safety Instructions

- Risk of fire or electric shock. Luminaire wiring and electrical parts may be damaged when drilling for installation of LED Emergency Backup. Check for enclosed wiring and components.
- Risk of fire or electric shock. This LED Emergency Backup installation requires knowledge of luminaire electrical systems. If not qualified, do not attempt installation. Contact a qualified electrician.
- Before installing, make certain the AC power to the fixture is off.
- The electrical rating of this product is 100-347Vac. Installer must confirm that there is 100-347Vac to the fixture before installation.
- To prevent electrical shock only mate unit connector after installation is complete and before the AC power to the fixture is back on.
- This LED Emergency Backup unit requires an un-switched AC power source of 100-347Vac, 50/60Hz. The AC driver must be on the same branch circuit as the LED Emergency Backup unit.
- Do not let power supply cords touch hot surfaces.
- Do not mount near gas or electric heaters.
- Do not use outdoors.
- Do not connect battery pack connector until all other wiring is complete and AC power is on.
- The emergency LED driver is for use with grounded, UL listed LED luminaires, shall be enclosed by the LED luminaire and bonded to the grounding of LED luminaire.
- Verify that all replacement lamp types marked on the installed luminaire are also identified as suitable for use with this emergency battery pack.
- The battery pack is fixed by the screw and the indicator lamp is attached to the shell of the luminaire by 3M tape.
- Equipment should be mounted in locations and at heights where it is not be subjected to tampering by unauthorized personnel.
- The use of accessory equipment not recommended by the manufacturer and may cause an unsafe condition.
- Do not use this equipment for other than its intended use.
- Use with grounded, UL Listed, dry or damp location rated fixtures.



# EMERGENCY LED DRIVER

## Safety Precautions

To reduce the risk of death, personal injury or property damage from fire, electric shock, falling parts, cuts/abrasions, and other hazards read all warnings and instructions included with and on the fixture box and all fixture labels. Before installing, servicing, or performing routine maintenance upon this equipment, follow these general precautions. Commercial installation, service and maintenance of luminaires should be performed by a qualified licensed electrician.

For the installation: If you are unsure about the installation or maintenance of the luminaires, consult a qualified licensed electrician and check your local electrical code. To prevent wiring damage or abrasion, do not expose wiring to edges of sheet metal or other sharp objects. Do not make or alter any open holes in an enclosure of wiring or electrical components during kit installation.

### **WARNING: RISK OF FIRE OR ELECTRICAL SHOCK**

Turn off electrical power at fuse or circuit breaker box before wiring fixture to the power supply. Turn off the power when you perform any maintenance. Verify that supply voltage is correct by comparing it with the luminaire label information. Make all electrical and grounded connections in accordance with the National Electrical Code and any applicable local code requirements. All wiring connections should be capped with UL approved wire connectors.

### **CAUTION: RISK OF INJURY**

Avoid direct eye exposure to the light source while it is on. Account for small parts and destroy packing material, as these may be hazardous to children.

## Warranty

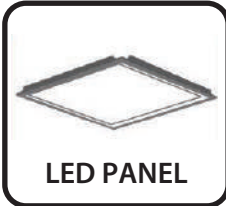
### 5 Years Warranty

This product is warranty to be free from defects in workmanship and materials for up to 5 Years from date of purchase. If it fails to do so, please contact Nothing But LED's at [sales@nothingbutleds.com](mailto:sales@nothingbutleds.com) or call 800-414-8919 for instructions on replacement.

# EMERGENCY LED DRIVER



## Application



EMERGENCY LED DRIVER