



Nothing But LED's 16-inch flush mount light typically refers to a ceiling light fixture with a diameter of 16 inches that is designed to be mounted flush against the ceiling. Our flush-mounted light comes with 3-wattage & 5 CCT adjustable options. Our Flush mount light has a variety of styles, designs, and finishes to choose from, allowing you to select one that matches your decor and lighting needs.

## Product Features

- Up to 75 Lumens per watt
- Wattage Adjustable 16W / 22W / 30W
- 5 CCT Adjustable 2700K / 3K / 3500K / 4K / 5K
- Available in 16" with double ring
- Frosted Polycarbonate Lens
- Triac Dimmable
- Brush Nickel (Stainless Steel)
- Damp Location Suitable
- Input Voltage 120Vac
- ETL & ES Listed
- 5 Year warranty

# LED FLOOD LIGHT



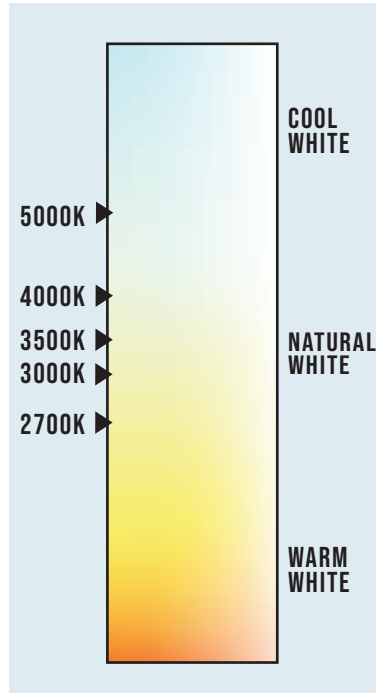
| SKU #   | Model #  | Wattage Adjustable | Lumens | CCT Adjustable       | Size | Housing | Input Voltage | Certifications |
|---------|----------|--------------------|--------|----------------------|------|---------|---------------|----------------|
| 1560739 | FXF23004 | 16W/22W/30W        | 2250Lm | 2700K/3K/3500K/4K/5K | 16"  | White   | 120Vac        | ETL & ES       |

## Specifications

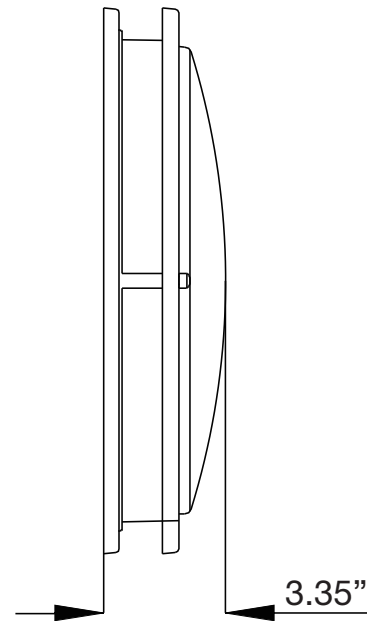
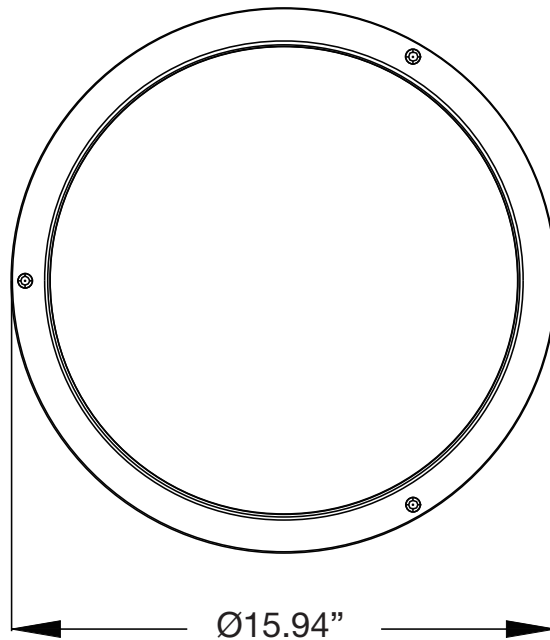
| Parameter           | Description           | Value                                 |
|---------------------|-----------------------|---------------------------------------|
| General Performance | Model #               | FXF23004                              |
|                     | Wattage Adjustable    | 16W / 22W / 30W                       |
|                     | Lumens                | 2250Lm                                |
|                     | Lumen Efficacy        | Up to 75LM/W                          |
|                     | Color Temperature     | 2700K / 3000K / 3500K / 4000K / 5000K |
|                     | CRI (Ra)              | >80                                   |
|                     | Beam Angle            | 110° Degree                           |
|                     | Diffuser Type         | Frosted Polycarbonate Lens            |
| Electrical          | Input Voltage         | 120Vac                                |
|                     | Frequency             | 50/60Hz                               |
|                     | Dimming               | Triac Dimmable                        |
|                     | Power Factor          | >0.9                                  |
|                     | Flicker Percent       | 30%                                   |
| Physical            | Operating Temperature | -20°C-40°C                            |
|                     | Operating Humidity    | <75%RH                                |
|                     | Storage Temperature   | 20°C-30°C                             |
|                     | Storage Humidity      | <60%RH                                |
|                     | LED Brand             | Lumileds                              |
|                     | LED Type              | 2835                                  |
|                     | LED QTY               | 84 PCS                                |
|                     | Housing Material      | Metal                                 |
| Housing Color       | Brushed Nickel        |                                       |
| Qualification       | IP Rated              | DAMP                                  |
|                     | Warranty              | 5 Year Limited                        |

# LED FLOOD LIGHT

## Correlated Color Temperature (CCT)

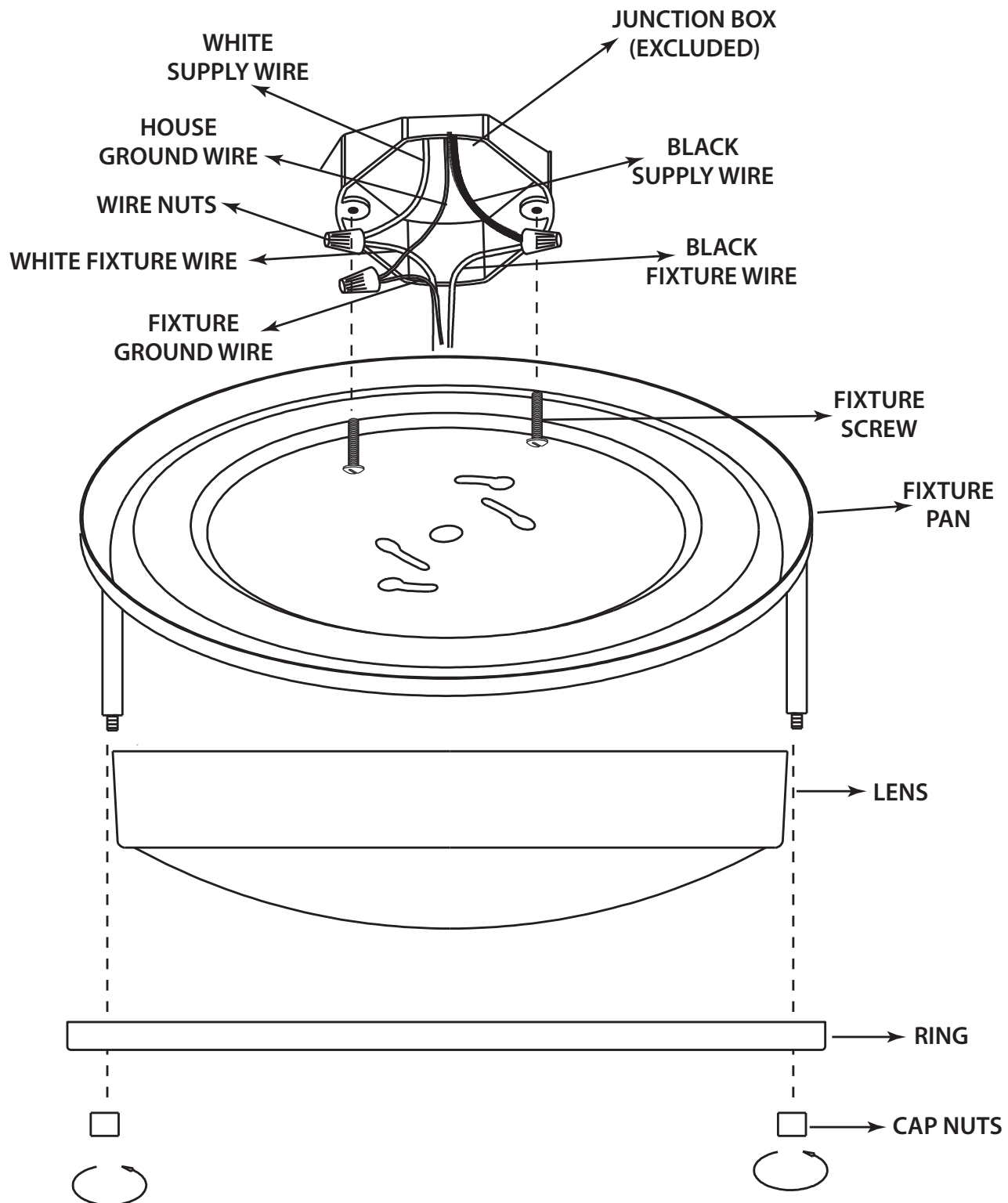


## Dimensions



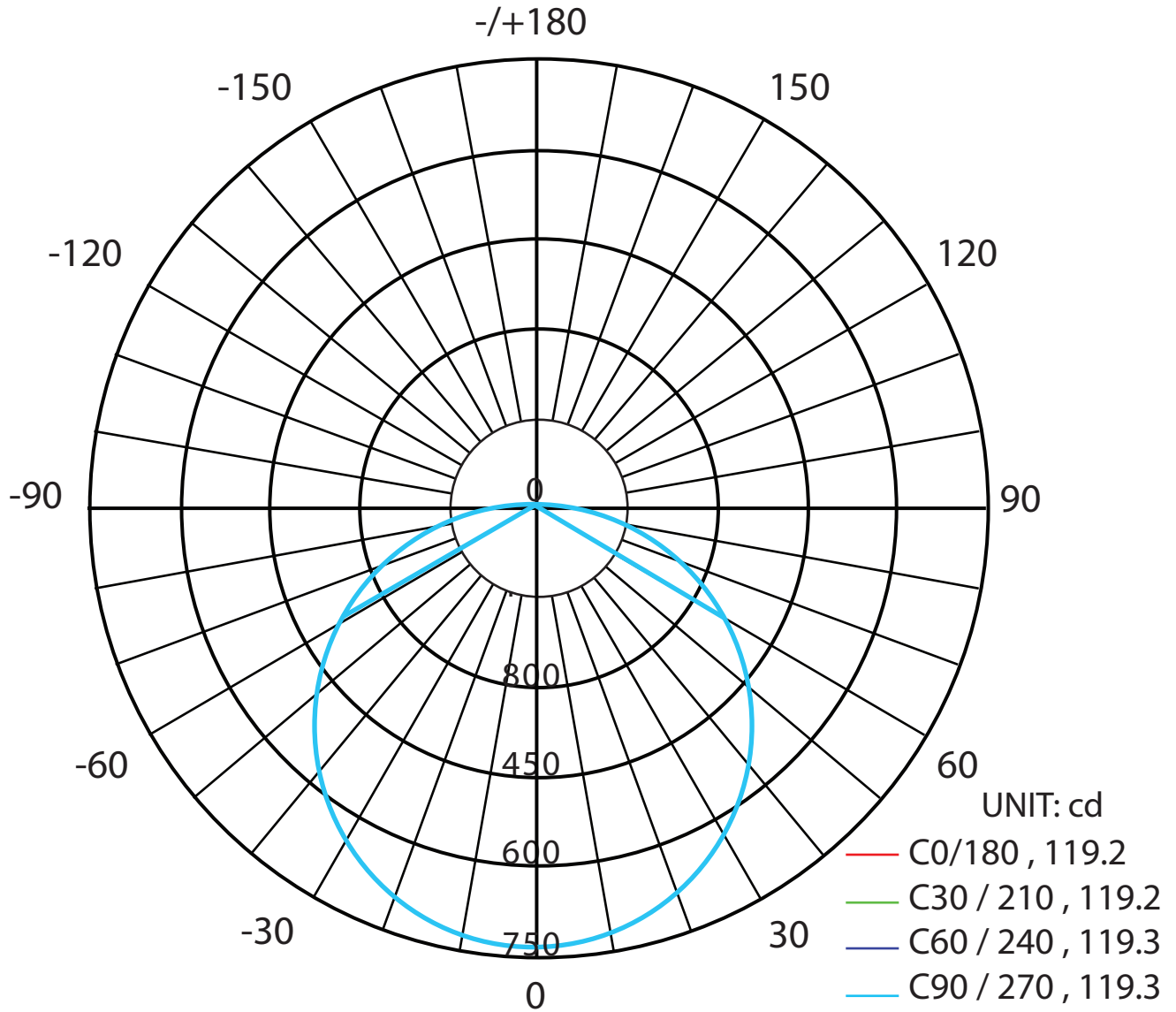
# LED FLOOD LIGHT

## Product Appearance



# LED FLOOD LIGHT

## Photometric Data



AVERAGE BEAM ANGLE (50%) : 119 . 2 DEG

# LED FLOOD LIGHT



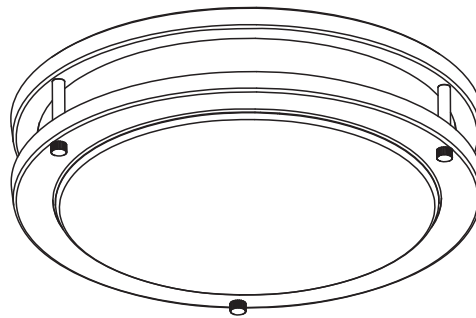
## Installation



PLEASE READ AND UNDERSTAND THIS ENTIRE MANUAL BEFORE ATTEMPTING TO ASSEMBLE, OPERATE OR INSTALL THE PRODUCT. **WARNING:** Avoid fire or electric shock. Follow installation instructions carefully. If unsure about electrical installation, consult a qualified electrician. Wear rubber-soled shoes and work on a sturdy wooden ladder. Ground fixture to avoid potential electric shock. Handle metal parts carefully to prevent cuts. To avoid a hazard to children, account for all parts and destroy all packing materials. This product is suitable for indoor damp applications.

**CAUTION:** Turn off power at fuse or circuit breaker box before installation and maintenance. Fixture must be installed according to National Electric Code and local building codes. If you are unsure about wiring, consult a qualified electrician. THIS FIXTURE BODY IS ONE PIECE, DO NOT DISASSEMBLE OR MAKE ALTERATIONS,

This device complies with part 15 of the FCC Rules. Operation is subject to the following two conditions: (1) this device may not cause harmful interference and (2) this device must accept any interference received, including that may cause undesired operation.



DIMMABLE\*



**WARNING! BEFORE PROCEEDING, PLEASE ENSURE POWER HAS BEEN SWITCHED OFF.**

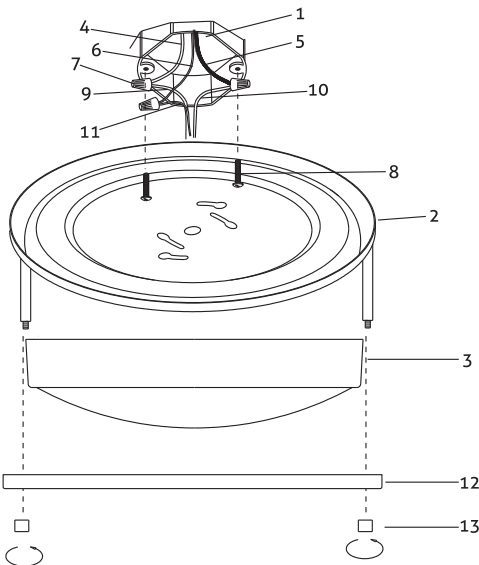
Pull the supply wires (4, 5, 6) out of the junction box (1). Thread the fixture screws (8) into the appropriate threaded holes of the junction box (1).

Connect the fixture black wire (10) to the black supply wire (5) white fixture wire (9) to the white supply wire (4) and fixture ground wire (11) to the supply ground wire (6) using wire nuts (7). Wrap all wire connections with electrical tape to ensure secure connection.

Carefully tuck all wires back into the junction box. Place the fixture pan (2) over the junction box and feed fixture screws (8) through keyhole slots. Rotate the fixture pan(2) clockwise until screws (8) lock into the narrow end of the keyhole slots and tighten screws firmly.

Secure the lens (3) and ring (12) to fixture pan (2) using three cap nuts (13). Installation complete, restore power at the circuit breaker.

\*. Two switches are for adjusting CCT and Power.



JUNCTION BOX (EXCLUDED)

FIXTURE PAN

LENS

WHITE SUPPLY WIRE

BLACK SUPPLY WIRE

HOUSE GROUND WIRE

WIRE NUTS

FIXTURE SCREW

WHITE FIXTURE WIRE

BLACK FIXTURE WIRE

FIXTURE GROUND WIRE

RING

CAP NUTS

## Box Dimensions

| Box Type  | Box Dimensions (Inches) | Qty.      | Net Weight | Gross Weight |
|-----------|-------------------------|-----------|------------|--------------|
| Inner Box | 17 x 3 x 17             | 1 Pc/Box  | 3.08 LBS   | 3.4 LBS      |
| Outer Box | 17.71 x 16.93 x 16.93   | 6 Pcs/Box | 18.52 LBS  | 23.5 LBS     |

## Application Images



## Warranty

5 Year Warranty