

LED CLOUD PANEL



Nothing But LED's Cloud Panel gives a soothing experience by offering realistically close simulation of natural sky in indoor spaces. The panels provides for improved focus and concentration with reduced glare and uniform illumination. Our Cloud Panel comes with easy installation and fit seamlessly into any 2x2 & 2x4 drop ceiling. An optional surface mount kit is also available.

These UL Certified panels are ideal for brightening up indoor spaces with soothing shades of blue and white to replicate the outdoor experience. They are ideal for corporate environments, educational & health facilities, basements, etc.

Product Features

- Upto 125 Lumens per watt
- 0-10V Dimming capabilities
- Wattage Adjustable
- CCT Adjustable
- Glare free with remarkable light uniformity
- Super slim design with durable construction

- Built-in standard earthquake clips
- Beam Angle 115° Degree
- Input Voltage 120-277Vac (50-60Hz)
- UL & DLC Listed
- 5 Year warranty

LED CLOUD PANEL

| SKU # | Model # | Wattage Adjustable | Lumens | CCT Adjustable | Size | IP | Input Voltage | Certifications |
|----------------------|---|--------------------|--------------------|----------------|-------|------|---------------|----------------|
| 1560734 | BLT-BPLED-2x2-24/29/32/39/D10/U/40-50-65/HL | 24W/29W/32W/39W | Varies with Design | 4K/5K/6500K | 2'X2' | IP20 | 120-277Vac | UL & DLC |
| 1560735 | BLT-BPLED-2x4-40/50/60/70/D10/U/40-50-65/HL | 40W/50W/60W/70W | | 4K/5K/6500K | 2'X4' | IP20 | 120-277Vac | UL & DLC |
| SOLD AS SET 2 | | | | | | | | |
| 1560751 | BLT-BPLED-2x4-40/50/60/70/D10/U/40-50-65/HL | 40W/50W/60W/70W | Varies with Design | 4K/5K/6500K | 2'X4' | IP20 | 120-277Vac | UL & DLC |

SKU. 1560734 / 2x2FT Specifications

| Parameter | Description | Value |
|---------------------|-----------------------|---|
| General Performance | Model # | BLT-BPLED-2x2-24/29/32/39/D10/U/40-50-65/HL |
| | Wattage Adjustable | 24W / 29W / 32W / 39W |
| | Lumen | Varies With Design |
| | Lumen Efficacy | Up to 125LM/W |
| | Color Temperature | 4000K / 5000K / 6500K |
| | CRI (Ra) | >80 |
| | Beam Angle | 115° Degree |
| Electrical | Diffuser Type | Frosted |
| | Input Voltage | 120V-277V |
| | Frequency | 50-60Hz |
| | Dimming | Varies With Design |
| | Power Factor | >0.9 |
| | Flicker Percent | <19% |
| Physical | Operating Temperature | -20°C to 40°C |
| | Operating Humidity | <65%RH |
| | Storage Temperature | -25°C- 80°C |
| | Storage Humidity | 10% - 85% RH |
| | LED Brand | Lumileds |
| | LED Type | SMD 2835 |
| Qualification | Housing | White |
| | Housing Color | White |
| | IP Rating | (IP20) |
| | Warranty | 5 Years |

LED CLOUD PANEL

SKU. 1560735 / 2x4FT Specifications

| Parameter | Description | Value |
|---------------------|-----------------------|---|
| General Performance | Model # | BLT-BPLED-2x4-40/50/60/70/D10/U/40-50-65/HL |
| | Wattage Adjustable | 40W / 50W / 60W / 70W |
| | Lumen | Varies With Design |
| | Lumen Efficacy | Up to 125LM/W |
| | Color Temperature | 4000K / 5000K / 6500K |
| | CRI (Ra) | >80 |
| | Beam Angle | 115° Degree |
| Electrical | Diffuser Type | Frosted |
| | Input Voltage | 120V-277V |
| | Frequency | 50-60Hz |
| | Dimming | Varies With Design |
| | Power Factor | >0.9 |
| | Flicker Percent | >19% |
| Physical | Operating Temperature | -20°C to 40°C |
| | Operating Humidity | <65%RH |
| | Storage Temperature | -25°C- 80°C |
| | Storage Humidity | 10% - 85% RH |
| | LED Brand | Lumileds |
| | LED Type | SMD 2835 |
| | Housing | White |
| Qualification | Housing Color | White |
| | IP Rating | (IP20) |
| | Warranty | 5 Years |



Suspension Mounting Kit
SKU: 1530457



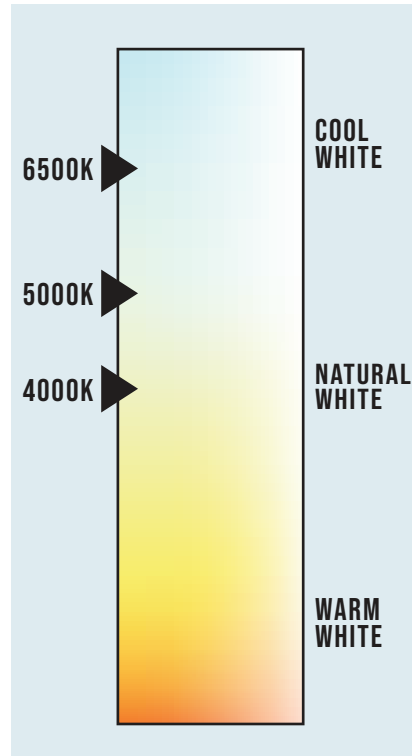
2x2
Surface Mounting Kit
SKU: 1530484



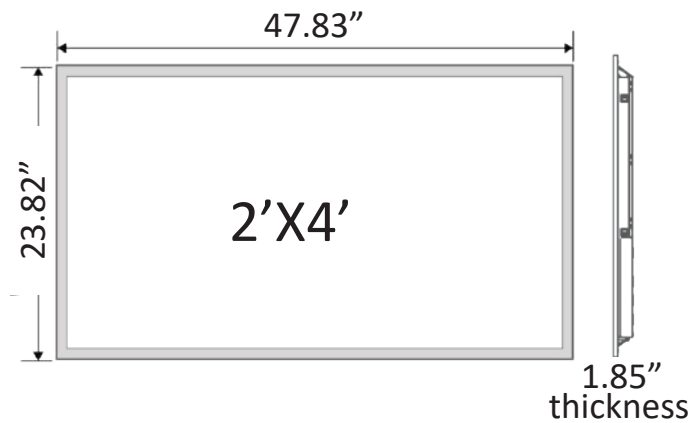
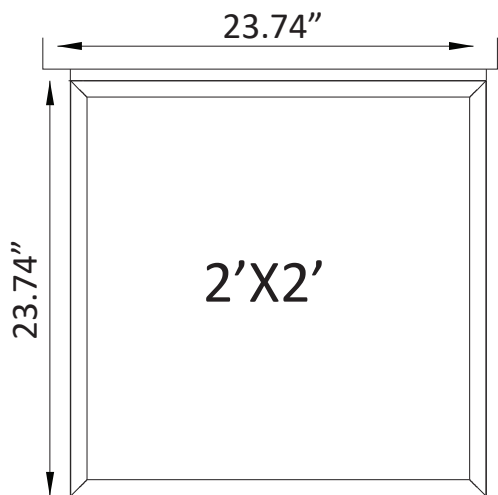
2x4
Surface Mounting Kit
SKU: 1510729

LED CLOUD PANEL

Correlated Color Temperature (CCT)



Dimensions



LED CLOUD PANEL

Distribution Diagram

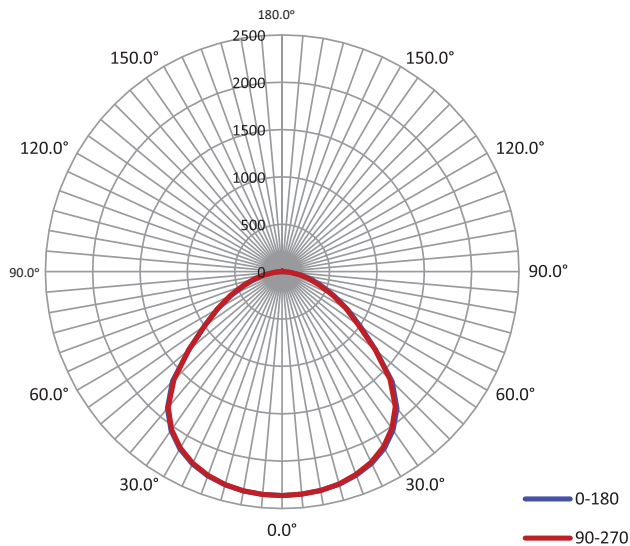
Electrical Measurement

| Input Voltage (V) | Frequency (Hz) | Input Current (A) | Power (W) | Power Factor |
|-------------------|----------------|-------------------|-----------|--------------|
| 120.0 | 60 | 0.409 | 48.94 | 0.998 |

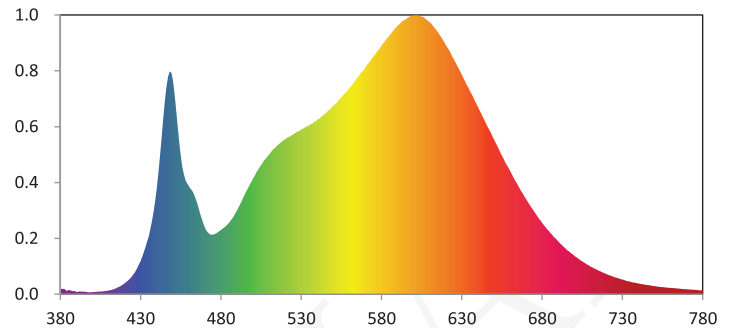
Photometric Measurement

| Luminous Flux (lm) | Efficacy (lm/W) | Imax (cd) | S/MH (C0/180) | S/MH (C90/270) |
|--------------------|-----------------|-----------|---------------|----------------|
| 120.0 | 60 | 0.409 | 48.94 | 0.998 |

Luminous Intensity Distribution



Relative Spectral Power Distribution

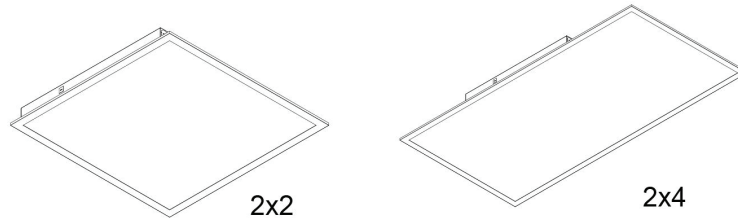


UGR Value

| Reflectances: | | | |
|------------------|------|------------------|----------------|
| Ceiling (cavity) | | 0.7 | |
| Wall | | 0.5 | |
| Reference plane | | 0.2 | |
| Room dimensions | | Viewed crosswise | Viewed endwise |
| X=4H | Y=8H | 19.1 | 18.7 |

LED CLOUD PANEL

Installation



WARNING

RISK OF FIRE OR ELECTRIC SHOCK

The BFPL LED Panel Light must be installed by a qualified electrician in accordance with applicable federal, state and local laws and codes. Installation requires knowledge of luminaire electrical systems and installer should be familiar with the operation of this product. If not qualified, do not attempt installation; contact a qualified electrician. Manufacturer assumes no responsibility for the improper installation of this luminaire. When installing the fixture, drilling may damage luminaire wiring and electrical parts. Check for wiring and components in enclosure before drilling. Before installation or maintenance, please disconnect the power to prevent electric shock.

WARNING

To prevent wiring damage or abrasion, do not expose wiring to edges of sheet metal or other sharp objects. When installing this kit, drilling may damage luminaire wiring and electrical parts. Check for wiring and components in enclosure before drilling.

CAUTION

RISK OF PERSONAL INJURY

Wear gloves or proper handling protection to prevent cuts or abrasions when handling and maintaining this product. This equipment may have sharp edges. To reduce the risk of death, personal injury or property damage from fire, electric shock, falling parts, cuts/abrasions, and other hazards read all warning and instructions included with and on the fixture box and all fixture labels. Avoid direct eye exposure to the light source while it is on.

WARNING

RISK OF PERSONAL INJURY, FIRE OR ELECTRIC SHOCK

Turn OFF power before installation.

NOTICE

Green ground screw provided in proper location. Do not relocate.

Minimum 90° supply conductors.

Specifications and dimensions subject to change without notice.

Please keep the LED Panel away from any corrosive substance, and please use dry cloth when you clean it.

Suitable for Dry or Damp location only.

Contact manufacturer with any questions or concerns regarding installation of this luminair

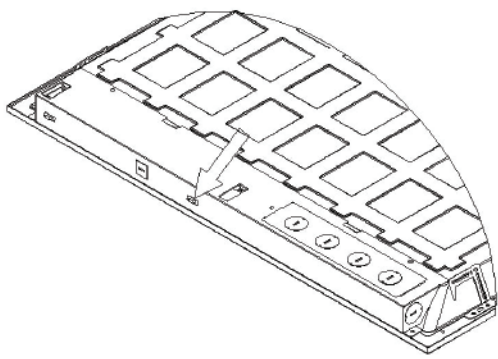
These instructions do not cover all details or variations in equipment nor do they provide for every possible situation during installation, operation or maintenance.


LED CLOUD PANEL

Installation


1. Schematic Of CCT Adjustment (3 Set Position)

Schematic of CCT Adjustment (3 Set Position)

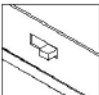




1. When the slip switch is set to left position, it is 4000K



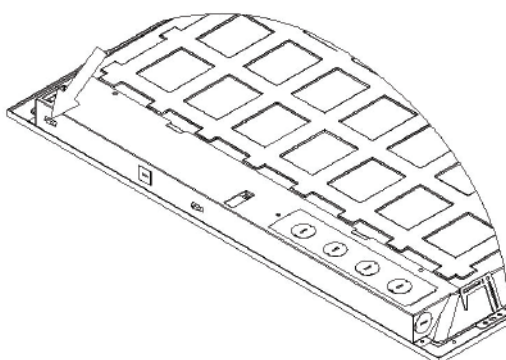
2. When the slip switch is set to centre position, it is 5000K



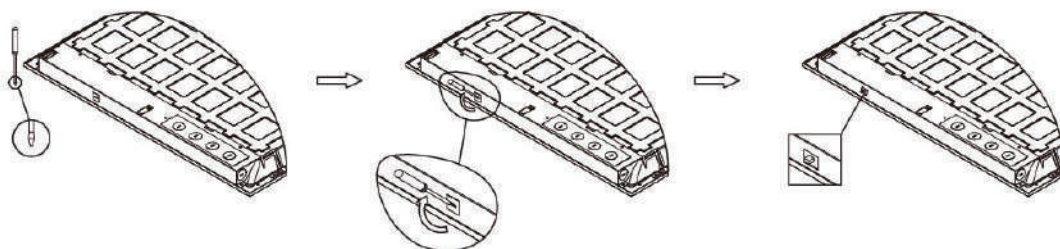
3. When the slip switch is set to right position, it is 6500K

2. Schematic Of Wattage Adjustment (4 Set Position)

| Schematic Wattage adjustment (4 set position) for troffer retrofit | | | | |
|--|---------------|--------------------------------------|--------------------------------------|----------------|
| Item | Left Position | 2nd Position (from left to right) | 3rd Position (from left to right) | Right Position |
| 2x2 | 24W | 29W | 32W | 39W |
| 2x4 | 40W | 50W | 60W | 70W |



| | |
|---|---|
| 1. Set slip switch to left position | 2. Set slip switch to 2nd position (from left to right) |
| 3. Set slip switch to 3rd position (from left to right) | 4. Set slip switch to right position |



LED CLOUD PANEL

Installation

Recessed Installation Steps:

Suitable for 9/16" or 15/16" Flat T-Grid in both insulated ceilings and non-insulated ceilings.

Access above ceiling required.

Bend (4) grid clip mounting tab 90° degrees on each corner.

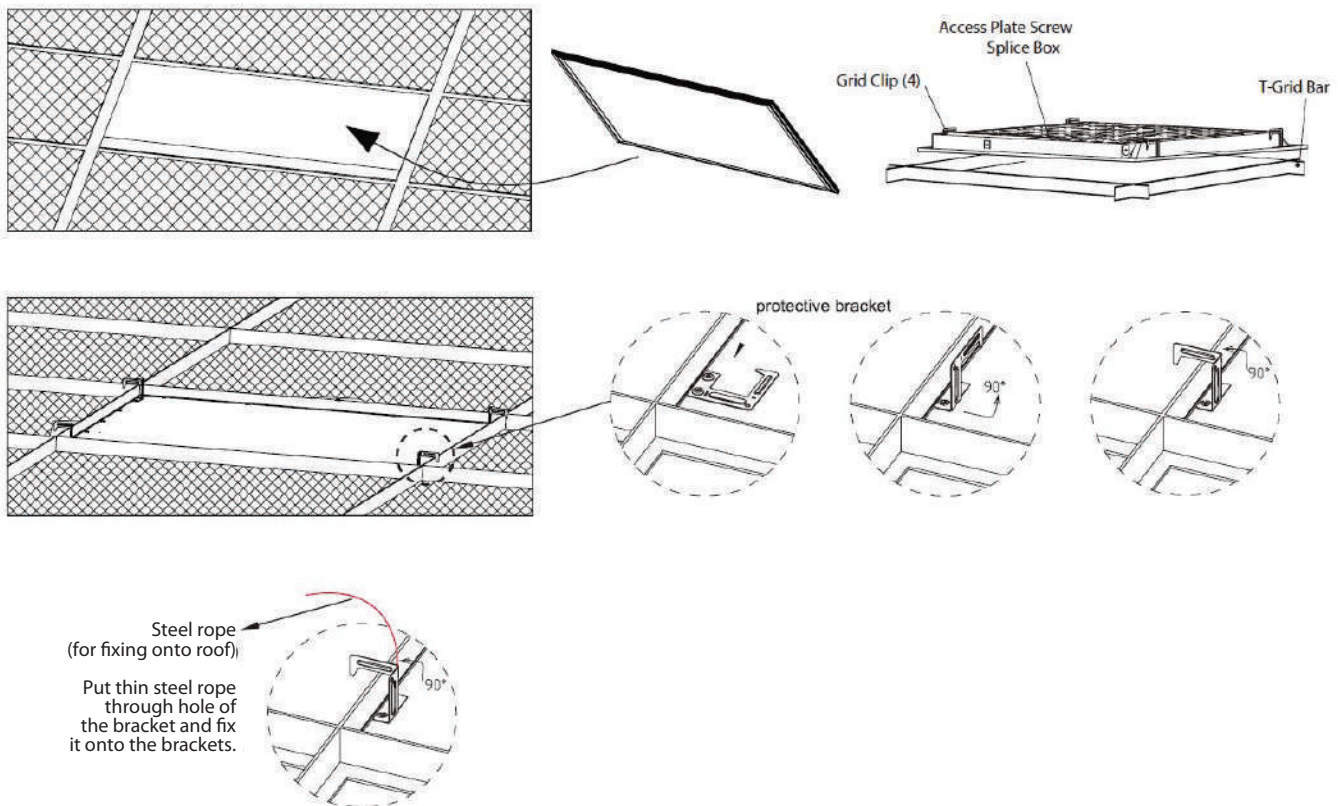
Rotate and slide the luminaire as required to fit through the T-Grid Bar and secure. Support wires are required by installation codes (not included in the package).

Make sure that the orientation of the Access Plate and Splice Box face an accessible tile to make electrical splices.

Loosen Access Plate Screw and remove the Access Plate Knock out appropriate Conduit Knockouts on the Access Plate to route input conduit. Use appropriate conduit connectors as required by code.

Connect wires as shown in wiring diagram below. Push all wires back into the Splice Box. Use appropriate UL-approved wire connectors as required by code to complete wiring.

Ensure that the wiring of the last luminaire in the row is properly terminated. Then make all electrical connections to the luminaire. Attach the wiring access cover plate.



CAUTION

Avoid direct eye exposure to the light source while it is on.

Account for small parts and destroy packing material, as these may be hazardous to children.

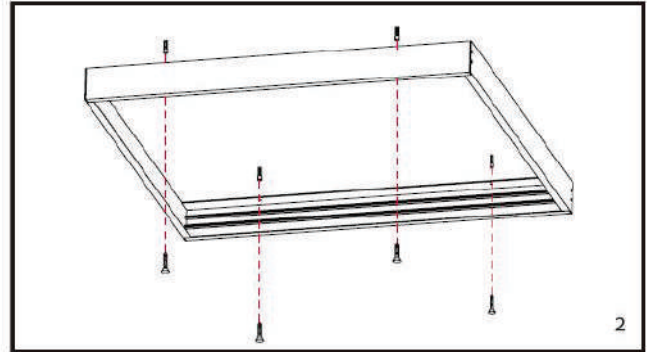
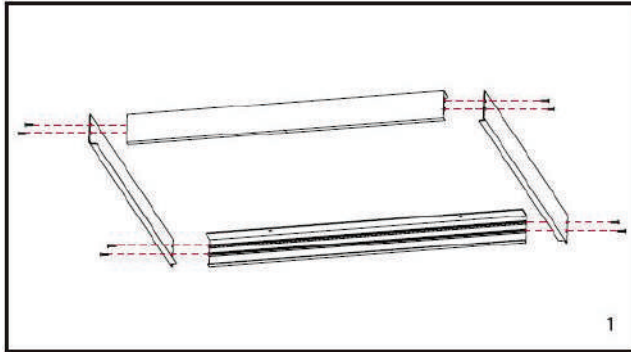
Disconnect power and allow fixture to cool before changing bulb or handing fixture.

LED CLOUD PANEL

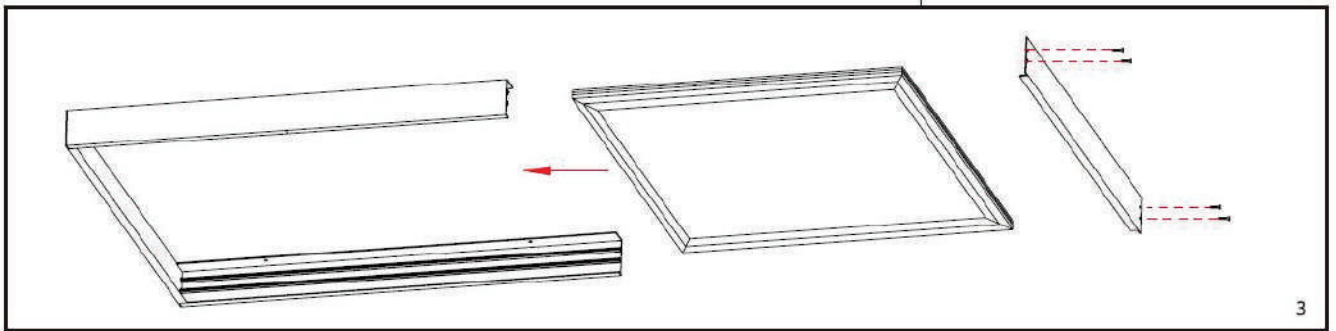
Installation

Surface Mount Installation Steps (Required additional kit from manufacturer)

1. Put the four pieces of frame together and fix them by screws.
2. Fix the frame onto the wall by screws.

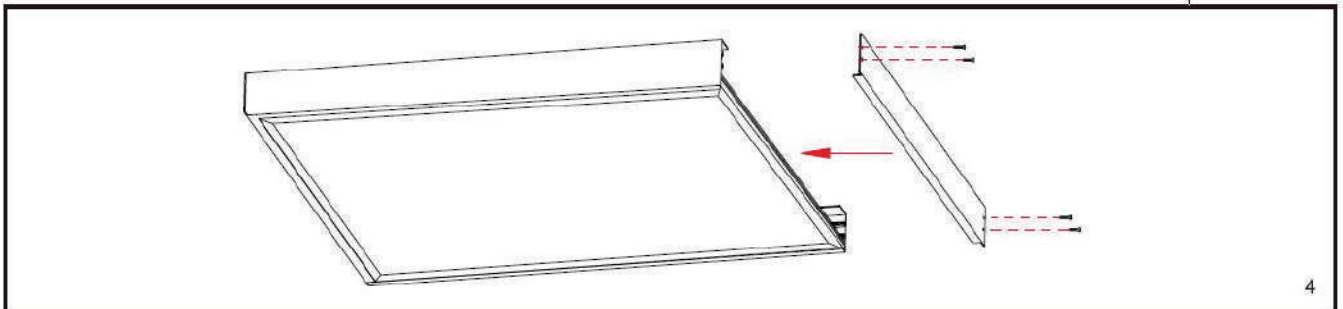


3. Dismantle one piece of frame and put the LED panel into the frame.



4. Fix the frame by putting back the dism

Note: The drivers and connector must be fixed to the back of LED panel by adhesive tape.



WIRING INSTRUCTION

Universal voltage driver permits operation at 120V thru 277V.

1. Connect the BLACK fixture lead to the LINE supply lead.
2. Connect the WHITE fixture lead to the COMMON supply lead.
3. Connect the GROUND wire from fixture to supply ground.

TROUBLESHOOTING

1. Check that the line voltage at fixture is correct. Refer to wiring directions.
2. Is the fixture grounded prop

| | | | |
|--------|--|--------|--------------------------|
| LINE | | BLACK | LIGHT FIXTURE |
| COMMON | | WHITE | |
| DIM V+ | | PURPLE | |
| DIM V- | | PINK | |
| GROUND | | GREEN | |

LED CLOUD PANEL

Packaging

| SKU # | Panel Size | Qty. | Dimensions | Net Weight | Gross Weight |
|---------|------------|-----------|-----------------------|------------|--------------|
| 1560734 | 2' X 2' | 4 Pcs/Box | 25.4" X 25.2" X 6.1" | | |
| 1560735 | 2' X 4' | 4 Pcs/Box | 49.4" x 25.2" x 6.1" | | |
| 1560751 | 2' X 4' | 2 Pcs/Box | 49.8" x 24.8" x 2.95" | | |

Warranty

5 Years Warranty

LED CLOUD PANEL

Applicatyion Images

