

LED PARKING GARAGE LIGHT



Nothing But LED's Parking Garage Light fixture is fully-featured and the most innovative product of its kind. This new 2023 model offers CCT Adjustable options of 3000K, 4000K & 5000K & 3 Wattage Adjustable 40W / 60W / 75W. At Nothing But LED's we know every parking garage application is unique. Our fixtures offer high performance, energy-efficiency and the best technology to deliver parking garage lighting for optimum "sealability", safety and security. Nothing But LED's products are supported by pre-sale & post-sale service and layout assistance.

Product Features

- Up to 135 Lumens per watt
- Wattage Adjustable 40W, 60W & 75W
- CCT Adjustable 3000K, 4000K & 5000K
- 0-10V Dimmable
- Optional-Screw in motion sensor
- Built-in 4KV, 5KV Surge protection
- 3/4" conduit entry on top for pendant mounting
- 1/2" conduit entry on three sides
- Quick and easy mounting and installation
- Die Cast Aluminum Bronze Housing
- Rated IP65
- UL Listed
- 5 Year Warranty

LED PARKING GARAGE LIGHT



SKU #	Model #	Wattage Adjustable	Lumens	CCT Adj	Housing	IP	Dimming	Input Voltage	Certifications
1560701	CP02G-75L-CSM-3CCT-A	40W/60W/75W	10125Lm	3K/4K/5K	Bronze	IP65	0-10V	120-277Vac	UL

SKU Number 1560701 Specifications

Parameter	Description	Value
General Performance	Model #	CP02G-75L-CSM-3CCT-A
	Wattage Adjustable	40W / 60W / 75W
	Lumen	10125Lm
	Lumen Efficacy	Up to 135Lm/W
	Color Temperature	3000K / 4000K / 5000K
	CRI (Ra)	>80
	Beam Angle	145° Degree
	Diffuser Type	Polycarbonate
Electrical	Input Voltage	120-277Vac
	Frequency	50/60Hz
	Dimming	0-10V
	Power Factor	≥0.9
	THD	<20%
	Driver Surge Protection	LN-PG :5KV, L-N:4KV
	Flicker Percent	35%
Physical	Operating Temperature	-30°C To 50°C
	Operating Humidity	10%RH To 90%RH
	Storage Temperature	-40°C To 85°C
	Storage Humidity	5%RH To 95%RH
	LED Brand	SMD 2835
	LED Type	MTC
	LED QTY	280 Pcs
	Housing Material	Die-Cast Aluminum
Housing Color	Bronze	
Qualification	IP Rating	IP65
	Warranty	5 Years

LED PARKING GARAGE LIGHT

Product Structure

Housing
Die-Cast
Aluminum

Photocell
Built-in Photocell



Sensor
Plug-in Motion Sensor

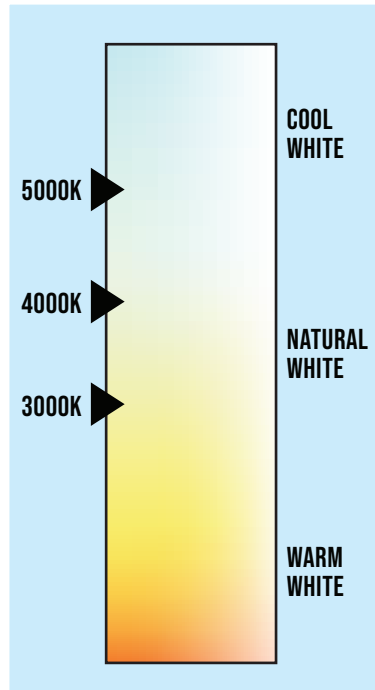
Optical
Polycarbonate Lens
145° Beam Angle

DIP Switch
3 Wattages Adjustable
3 CCT Adjustable

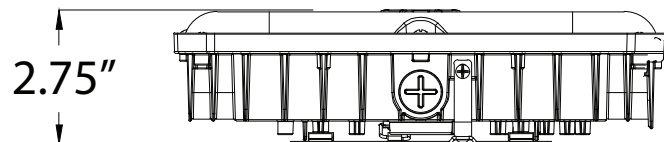
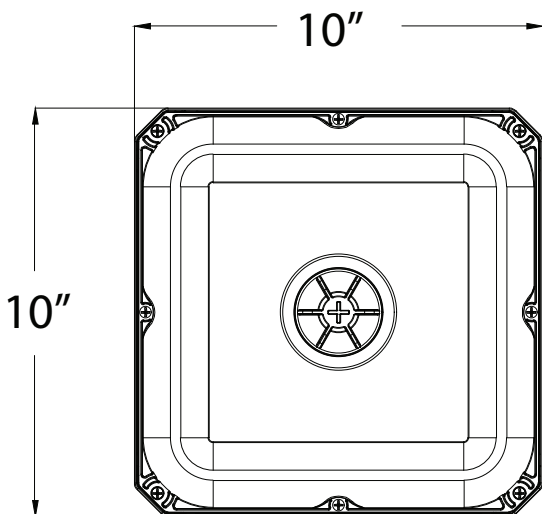
LED PARKING GARAGE LIGHT



Correlated Color Temperature (CCT)



Dimensions

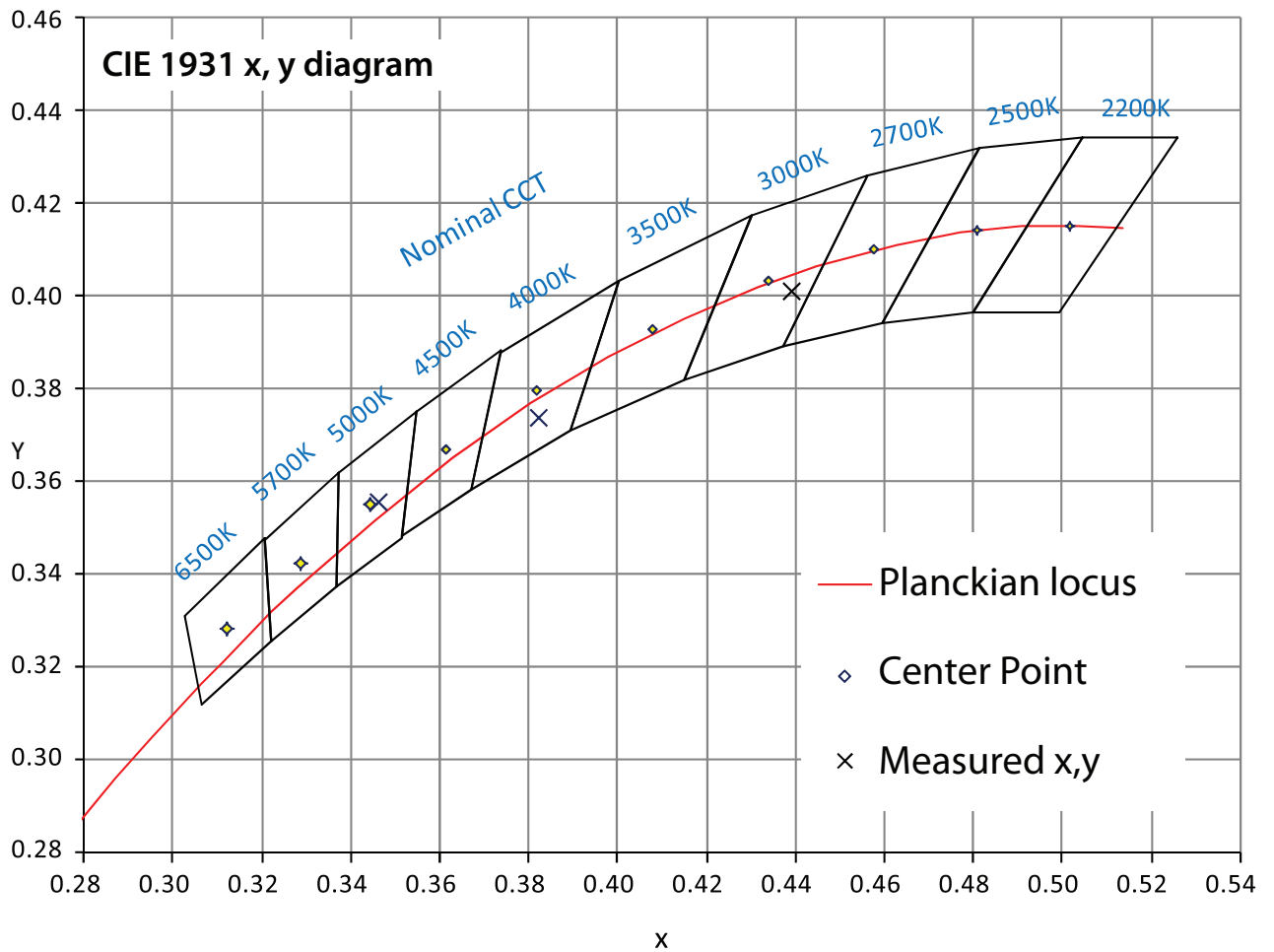


LED PARKING GARAGE LIGHT

Test Data

Test Data
ANSI Chromaticity Quadrangles Diagram

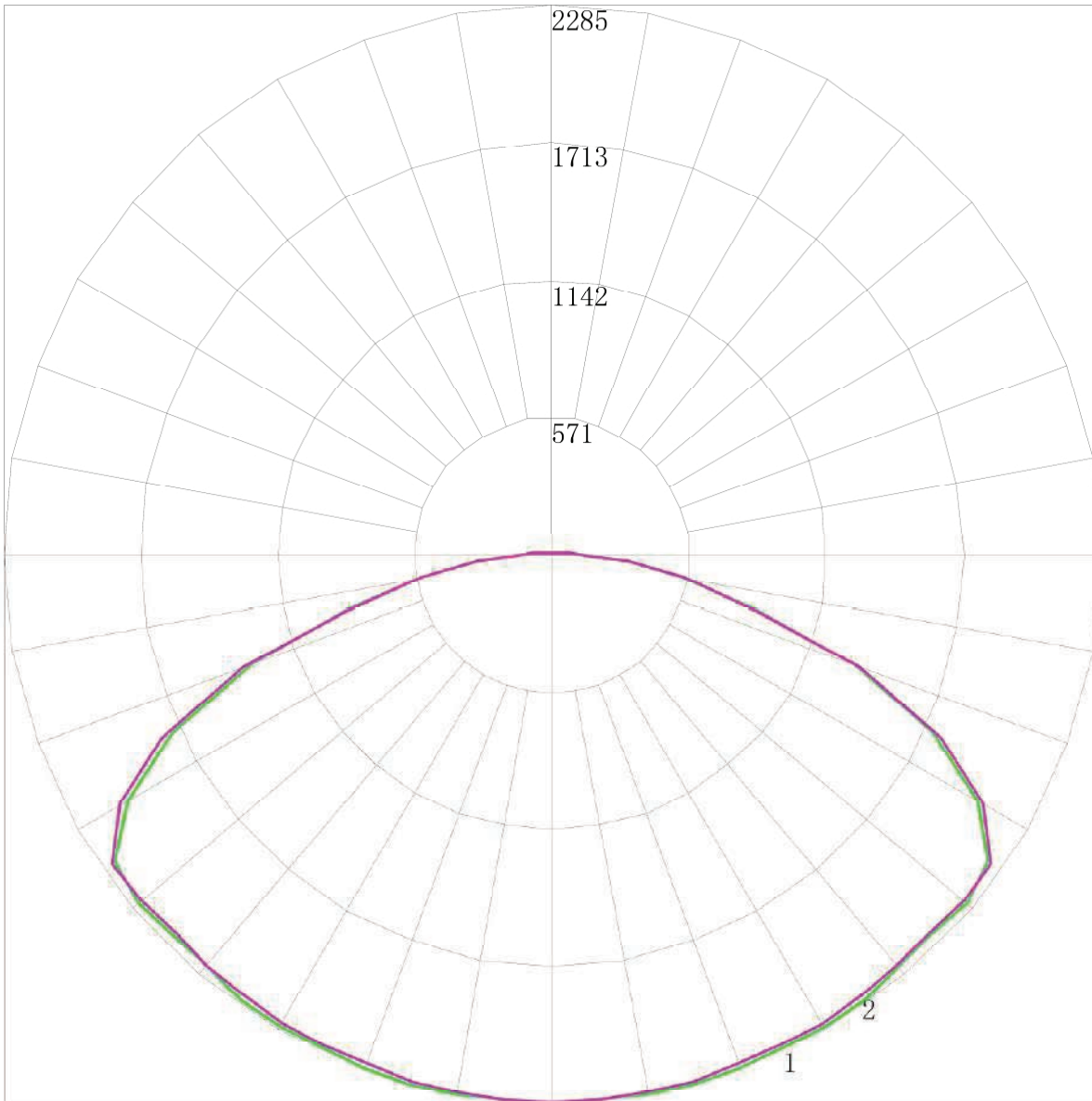
Graphical representations of 7-step quadrangle specification of SSL products



LED PARKING GARAGE LIGHT



Polar Curves



Maximum Candela = 2284.574 Located At Horizontal Angle = 0, Vertical Angle = 0
1 - Vertical Plane Through Horizontal Angles (0 - 180)
2 - Vertical Plane Through Horizontal Angles (90 - 270)

LED PARKING GARAGE LIGHT

Installation

Please read the user manual carefully and follow it. This will help to prevent damage of the product, prolong its lifespan; And it will be helpful for your normal use and maintenance, to ensure that your life safety. Please keep the manual properly.

Part No.	Input Voltage	Frequency	Power	Rated Current
CP02G-40	AC120-277V/AC120-347V	50/60Hz	40W	0.37A
CP02G-55	AC120-277V/AC120-347V	50/60Hz	55W	0.51A
CP02G-60	AC120-277V/AC120-347V	50/60Hz	60W	0.55A
CP02G-70	AC120-277V/AC120-347V	50/60Hz	70W	0.65A
CP02G-75	AC120-277V/AC120-347V	50/60Hz	75W	0.69A

WARNINGS

THE LED GARAGE CANOPY MUST BE INSTALLED IN ACCORDANCE WITH ALL APPLICABLE ELECTRICAL CODES BY PERSONS FAMILIAR WITH THE INSTALLATION, OPERATION, AND/OR MAINTENANCE OF THE PRODUCTS AND THE HAZARDS INVOLVED. THE LED GARAGE CANOPY MUST BE INSTALLED WITH UL LISTED CONDUIT FITTINGS.

1. Risk of fire or electric shock.

1-1 Make sure the working voltage of LED Garage Canopy is under its rated voltage.

1-2 Make sure the accessories and wires are completed and intact during the installation.

1-3 Installation requires knowledge of electrical systems. For install by qualified electrician only.

Do not attempt installation if not qualified.

1-4. This fixture should only be installed in place of existing luminaries that have the construction features and dimensions specified in this manual.

2. Do not expose any wire to edge of sheet metal and/or other sharp objects that may cause damage or abrasion.

3. Do not change existing open holes or create any additional open holes in the fixture or its components during installation.

CAUTIONS

1. Be certain electrical power is OFF before and during installation and maintenance.

2. To prevent wiring damage or abrasion, do not expose wiring to edges of sheet metal or other sharp objects.

3. Do not use the LED Garage Canopy near heating appliances/ elements.

4. The input voltage and lamps should be matched after connecting the power line, please make sure the wiring section is insulated.

LED Garage Canopy must be operated within an ambient temperature range of -22°F to 122°F (-30°C to + 50°C).

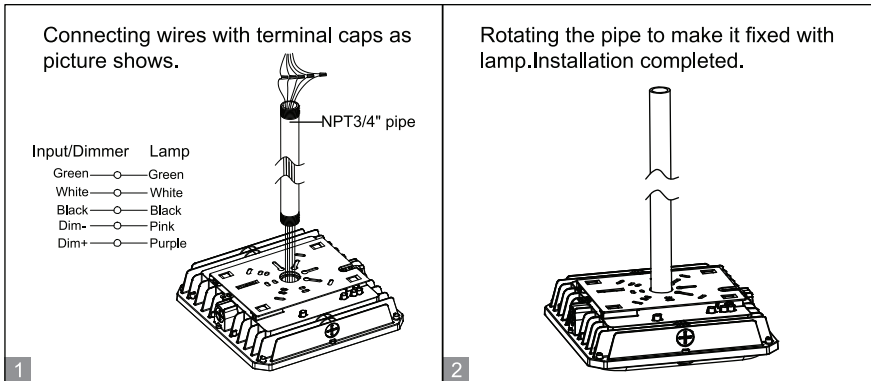
LED Garage Canopy is not intended for use with emergency exits.

LED PARKING GARAGE LIGHT

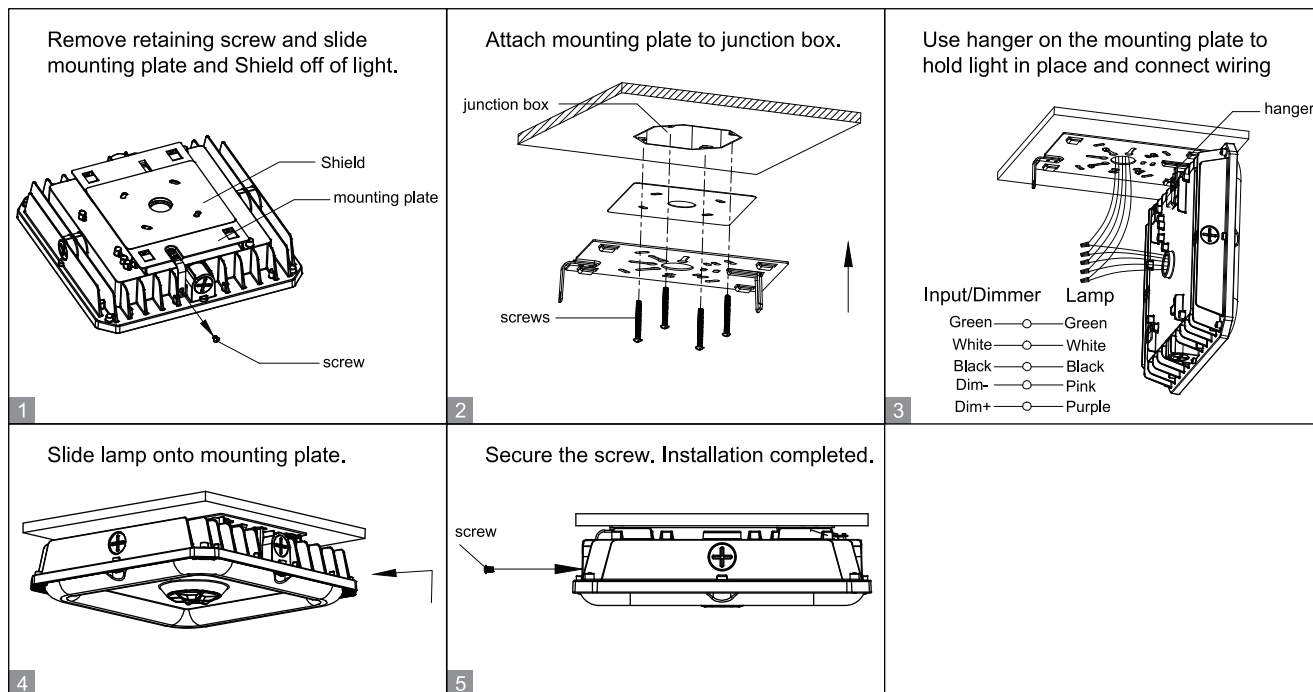


Installation

Installation method I: Pole-pendant Installation



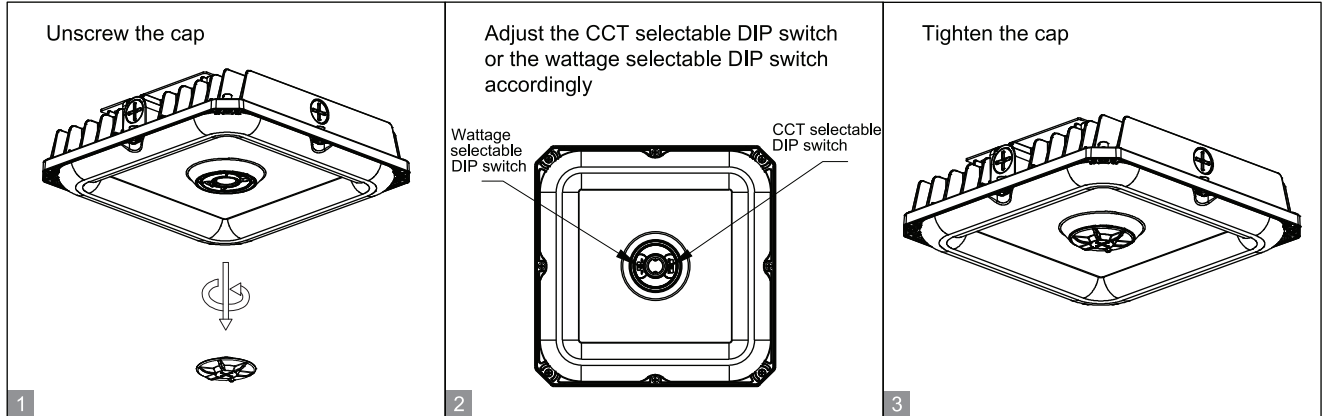
Installation method II: Ceiling Installation



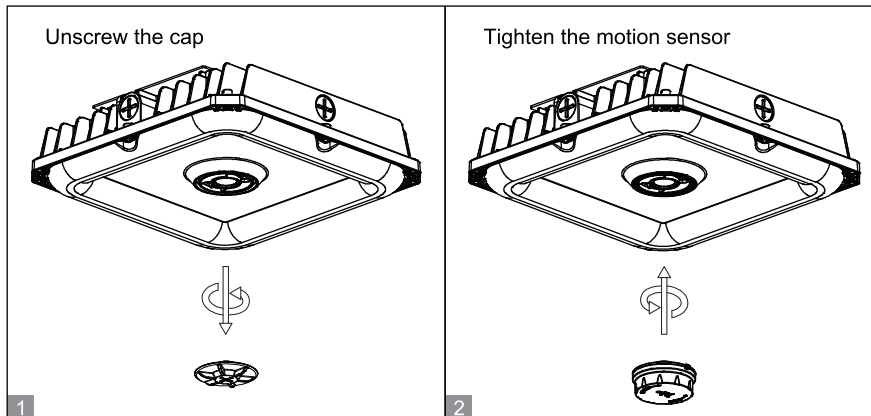
LED PARKING GARAGE LIGHT

Installation

Selectable CCT and wattage function installation



Sensing function installation



The Installation must be carried out by a qualified electrician.

LED PARKING GARAGE LIGHT



Application Picture



LED PARKING GARAGE LIGHT

PACKAGE

Carton Type	Carton (Inch)	Qty / Carton	Net Weight / Carton	Gross Weight / Carton
Inner Box	11.41 x 11.41 x 4	1 PC/Box	5.07 LBS	5.51 LBS
Outer Box	17.32 x 12 x 12.20	4 PCS /Box	20.28 LBS	23.58 LBS

Warranty

5 Years Warranty