

LED UP & DOWN WALL SCONCE



Up & Down Wall Sconce" is a type of outdoor lighting fixture commonly used for illuminating the exteriors of buildings, walls, pathways and other outdoor spaces. Nothing But LED's Up & Down Wall Sconce emits light both upwards and downwards, creating a dual-directional lighting effect. Our Up & Down Wall Sconce can add a decorative and functional element to various outdoor environments. Our up & down Wall Sconce combines aesthetics, functionality, and energy efficiency to enhance the visual appeal, safety and security of outdoor spaces. Our Up and down Wall Sconce can be used in a variety of outdoor applications, including residential exteriors, commercial buildings, parks, pathways and more.

Product Features

- Up to 110 Lumens per watt
- CCT Adjustable 3000K / 4000K / 5000K
- Dimmable 0-10V
- Beam Angle 60° Degree
- Die-cast aluminum housing material
- Operating Temperature -40° C To 45°C
- Built-in Photo cell
- Bronze Housing
- Input Voltage 120-277Vac
- UL Listed
- 5 Year warranty

LED UP & DOWN WALL SCONCE



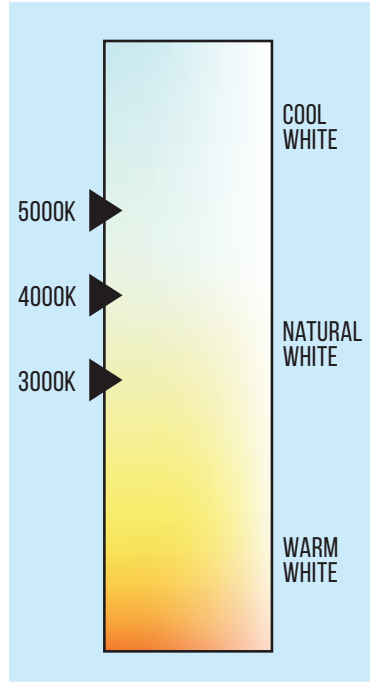
SKU #	Model #	Watt	Lumens	CCT Adjustable	Input Voltage	Certifications
1560691	BLT-UDWP01B-30WBS6 DA1-BRP30/40/50	30W	3360Lm	3000K/4000K 5000K	120-277Vac	UL

SKU# 1560691 Specifications

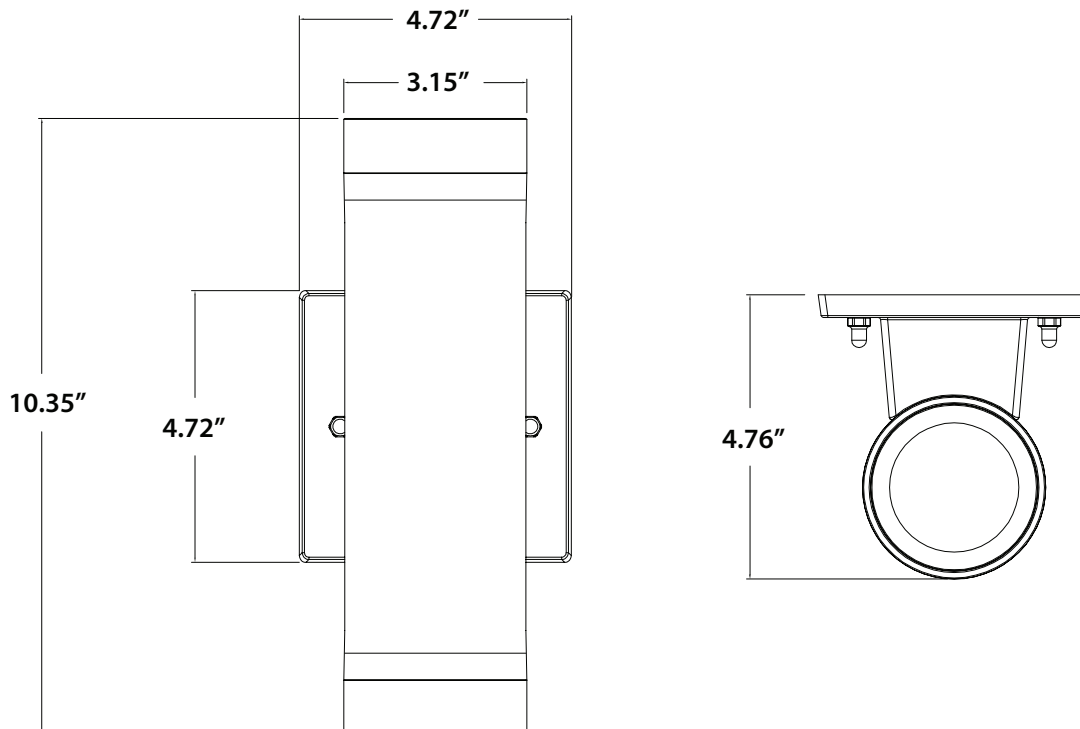
Parameter	Description	Value
General Performance	Model #	BLT-UDWP01B-30WBS6DA1-BRP30/40/50
	Wattage	30W
	Lumens	Up to 3360LM
	Lumen Efficacy	Up to 110LM/W
	Color Temperature	3000K / 4000K / 5000K
	CRI (Ra)	>80
	Beam Angle	60° Degree
	Diffuser Type	Glass+PC (Up & Down are with PC lens+glass, 2 rings are PC)
Electrical	Input Voltage	120-277Vac
	Frequency	50/60Hz
	THD (Tolerance : +5%)	≤20%
	Dimming	0-10V Dimmable
	Power Factor	≥0.9
	Flicker Percent	<30%
	Driver Brand	HB-FL19F035B
Physical	Driver Surge protection	LL-N :6KV, L&N-PE:6KV
	Operating Temperature	-40°C To 45°C
	Storage Temperature	-40°C To 80°C
	Operating Humidity	20% - 90% RH
	Storage Humidity	10% - 95% RH
	LED Brand	Lumileds
	LED Type	SMD 2835
Qualification	LED QTY	64*2 PCS
	Housing	Die-cast aluminum
	Housing Color	Bronze
	IP Rating	IP65
	Warranty	5 Year warranty

LED UP & DOWN WALL SCONCE

Correlated Color Temperature (CCT)



Dimensions



LED UP & DOWN WALL SCONCE



Installation

Applications:

Tunnel (except for motor vehicle tunnel), workshop, warehouse, factory, house, building exterior, etc.

Cautions:

Do not use an electric generator to test the LED fixture.

Please abide by appropriate national, regional and local law and regulations when install this Do not install the fixture when raining to lower the risk of electric shock and avoid failure.

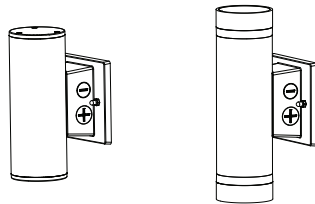
Cautions:

To avoid possibility of electrical shock or fire, the installation personnel must have professional electric knowledge. Wear gloves to avoid injury before installation.

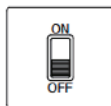
If any smoke or spark of the wire happened, please turn off the power immediately and notify relevant personnel. This fixture is available in outdoor usage, but the distance from fixture to ground should be more than 2m.

Note: Please turn off the power before adjusting the color temperature.

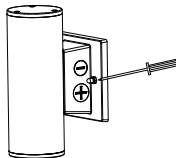
This installation instruction applies to the following products. Although the products vary in appearance, the installation steps are the same:



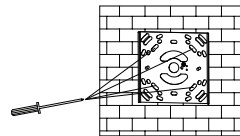
Installation Procedure:



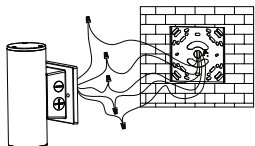
1. Turn off the power.



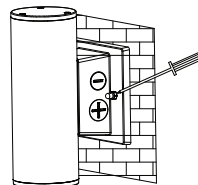
2. Use tools to unscrew both sides and remove mounting plates.



3. Fix the mounting plate to the junction box with the screwdriver



4. Connect the wires properly



LED UP & DOWN WALL SCONCE

Installation

5. Lock the two end cap screws, the product is installed.



6. Make sure the installation is complete before turning on the power switch.

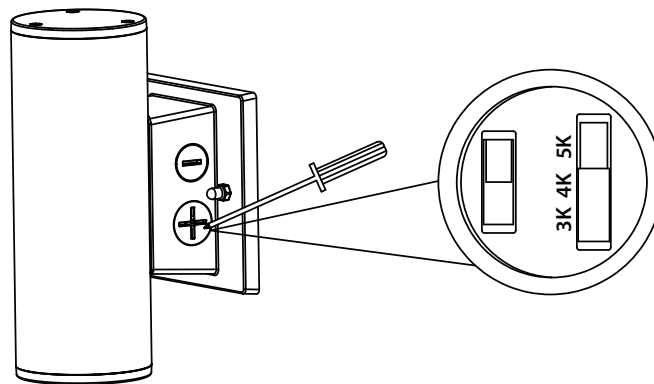
Standard wire:

L/live wire: Black\Brown; N/null wire: White\Blue;

ON Ground wire: Green\Yellow-green.

Warning: During grounding, make sure the earth wire of the driver and fixture housing are connected together with the earth wire of the local power supply.

Operate as following instructions if the product is designed with below functions SPECIAL FUNCTIONS INSTRUCTION



Note: Please turn off the power before adjusting the wattage and CCT.

CCT adjustable instruction fixture.

1. The color temperature of the lamp turns to 3000K when the switch is set to 3000K.

2. The color temperature of the lamp turns to 4000K when the switch is set to 4000K.

3. The color temperature of the lamp turns to 5000K when the switch is set to 5000K.

Note: Please turn off the power and colour before adjusting the wattage.

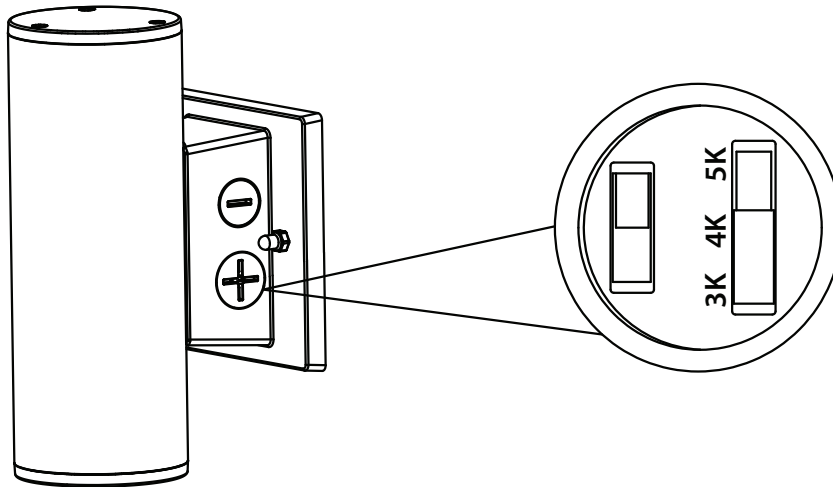
LED UP & DOWN WALL SCONCE

Notice For User

- Please turn off power before install or change assembly parts.
- The input voltage and lamps should be matched, after connecting the power line,
- Please make sure the wiring section is insulated.
- No-professionals, must not install and disassemble the lamps.

Troubles	Check Points
Flickering of the light	Turn off the power and turn on again in 3 minutes. If same phenomena occur, then call agencies.
Out of working	Please check the connection.

SPECIAL FUNCTIONS INSTRUCTION



Wattage Adjustable Instruction

Turn the wattage adjustable knob to a certain wattage gear, the power of the lamp will change to the corresponding wattage.

Adjustable wattage range 25%-100%.

Note: Please turn off the power before adjusting the wattage.

Color tunable instruction

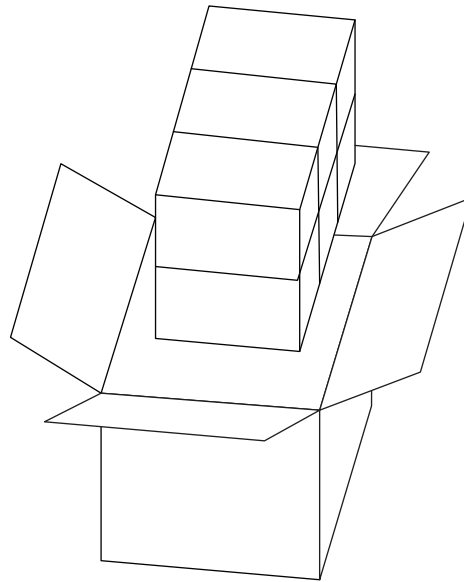
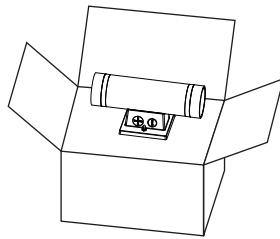
1. The color temperature of the lamp turns to 3000K when the switch is set to 3K.
2. The color temperature of the lamp turns to 4000K when the switch is set to 4K.
3. The color temperature of the lamp turns to 5000K when the switch is set to 5K.

Note: Please turn off the power before adjusting the color temperature.

LED UP & DOWN WALL SCONCE

Packaging

Box Type	Carton Size (Inches)	Qty/ Box	Net Weight	Gross Weight
Inner Box	11.22 x 5.11 x 5.31	1 Pc/Box	3.30 LBS	3.85 LBS
Outer Box	16.14 x 11.81 x 11.42	6 Pcs/Box	23.14 LBS	25.35 LBS



LED UP & DOWN WALL SCONCE



Application Image



LED UP & DOWN WALL SCONCE

LED UP & DOWN WALL SCONCE

Application Image



Warranty

5 Year Warranty