

# LED TRI-PROOF LIGHT



The LED Tri-proof Light from Nothing But LED is the newest and most feature-rich product of 2023. LED Tri-proof Light has an adjustable wattage and CCT, allowing it to combine nine SKUs into one. LED Tri-proof Light is resistant to water, dust, dampness, and pressure: high-quality LED driver and thermal management with a 50,000-hour illuminating life. The housing is extruded aluminum with a corrosion-resistant glossy white polycarbonate cover. It is simple to install using a Surface mount or suspension. An additional 12V Auxiliary output makes it compatible with any control system.

## Product Features

- Upto 130 Lumens per watt
- Available in 4ft fixture
- Adjustable Wattage 38W / 46W / 54W
- Adjustable CCT 3500K / 4000K / 5000K
- Surface mount kit V-hooks included
- Waterproof joint included
- 0-10 Dimmable
- Input Voltage 120-277Vac
- UL Listed
- 5 Year warranty

# LED TRI-PROOF LIGHT



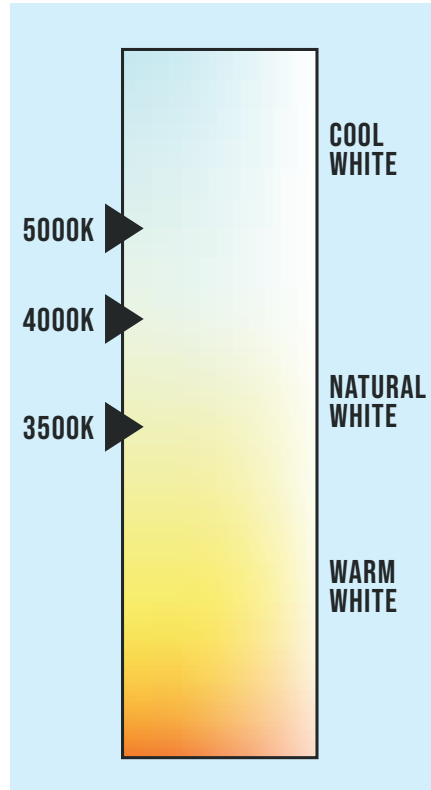
SKU #	Model #	Wattage Adj.	Lumens	CCT Adj.	Housing	Length	Input Voltage	Dimming	Certifications
1560657	BLT-DP-B-4FT/54/46 /38/YDM/CCT(A3+B7)	38W/46W/ 54W	Up to 7020Lm	3500K/4000K/ 5000K	White	4ft	120V-277V	0-10V	UL

## SKU # 1560657 Specifications

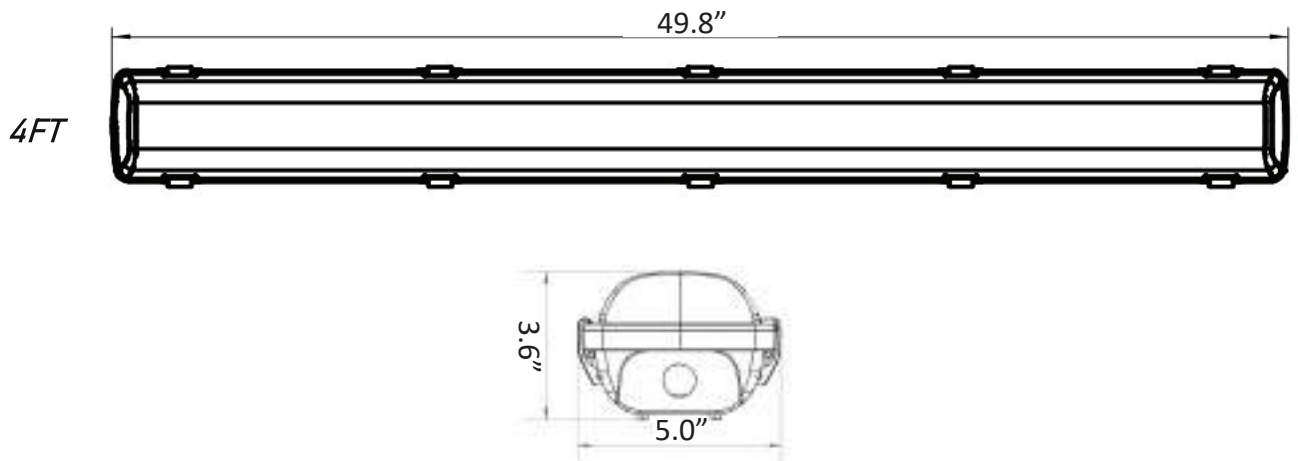
Parameter	Description	Value
General Performance	Model	BLT-DP-B-4FT/54/46/38/YDM/CCT(A3+B7)
	Wattage Adjustable	38W / 46W / 54W
	Color Temperature	3500K / 4000K / 5000K
	Lumens	Up to 7020LM
	Lumen Efficacy	Up to 130LM/W
	CRI (Ra)	>80
	Beam Angle	110° Degree
	Diffuser Type	PC Lens
Electrical	Input Voltage	120-277V
	Frequency	50/60Hz
	Dimming	0-10V Dimming
	PF	<0.9
	THD	<20%
	Flicker Percent	<10%
	Driver Brand	Simon
	Driver Model	SIL50-I1200/120-277/W/D1+D3/R(1200/1000/850) (-40°C)
Physical	Operating Temperature	-40°C to 50°C
	Storage Temperature	-40°C to 45°C
	Storage Humidity	WET LOCATION
	LED Brand	Bridgelux
	LED Type	SMT
	LEDs QTY	392 Pcs
	Housing	Grey
Qualification	Housing Color	White
	IP Rating	IP65
	Warranty	5 Years

# LED TRI-PROOF LIGHT

## Correlated Color Temperature (CCT)



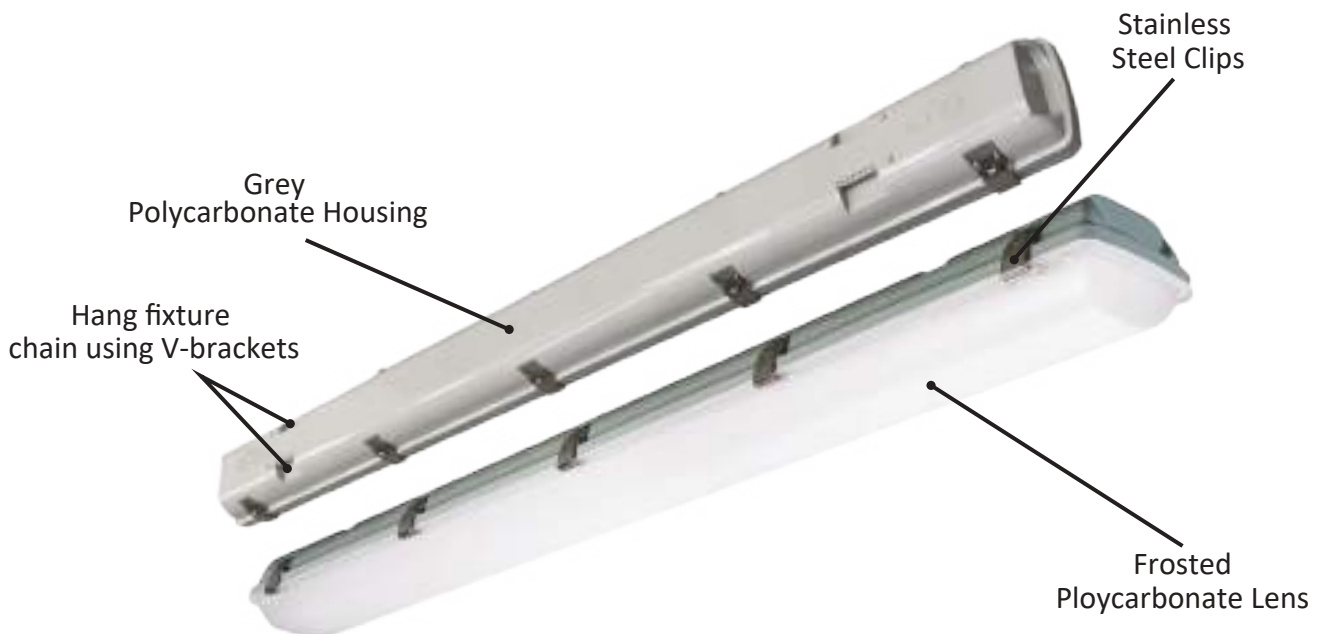
## Dimensions



# LED TRI-PROOF LIGHT



## Product Structure

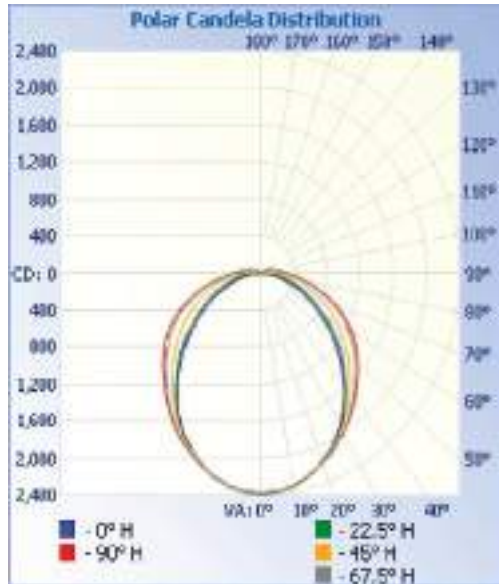


# LED TRI-PROOF LIGHT

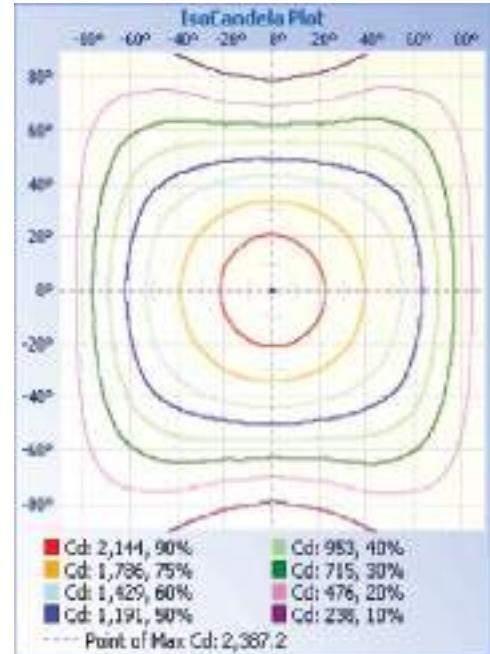
## Photometric Data

### Goniophotometer Test (Cont'd)

#### Polar Candela Distribution

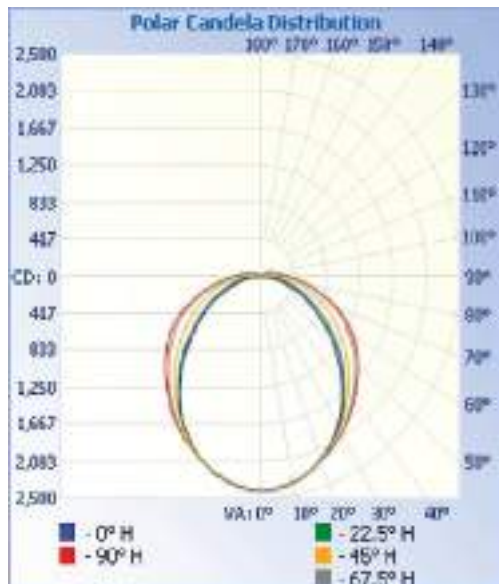


### IsoCandela Plot

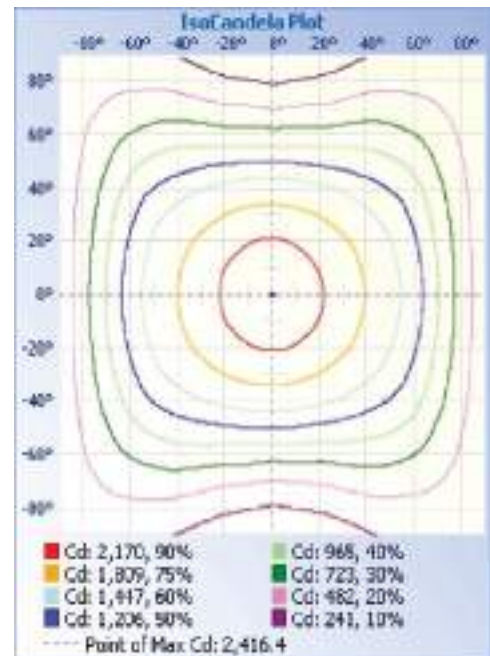


### Goniophotometer Test (Cont'd)

#### Polar Candela Distribution



### IsoCandela Plot



# LED TRI-PROOF LIGHT



## Installation

### **! WARNING**

To reduce the risk of death, personal injury or property damage from fire, electric shock, falling parts, cuts/abrasions and other hazards read all warnings and instructions included with and on the fixture box and all fixture labels.

Before installing, servicing, or performing routine maintenance upon this equipment, follow these general precautions.

Commercial installation, service and maintenance of luminaires should be performed by a qualified licensed electrician.

For the installation: If you are unsure about the installation or maintenance of the luminaires, consult a qualified licensed electrician and check your local electrical code.

To prevent wiring damage or abrasion, do not expose wiring to edges of sheet metal or other sharp objects.

Do not make or alter any open holes in an enclosure of wiring or electrical components during kit installation.

### **! WARNING**

Turn off electrical power at fuse or circuit breaker box before wiring fixture to the power supply.

Turn off the power when you perform any maintenance.

Verify that supply voltage is correct by comparing it with the luminaire label information.

All wiring connections should be capped with UL approved wire connectors.

### **! CAUTION**

Avoid direct eye exposure to the light source while it is on.

Account for small parts and destroy packing material, as these may be hazardous to children.

Risk of burn. Disconnect power and allow fixture to cool before changing bulb or handing fixture.

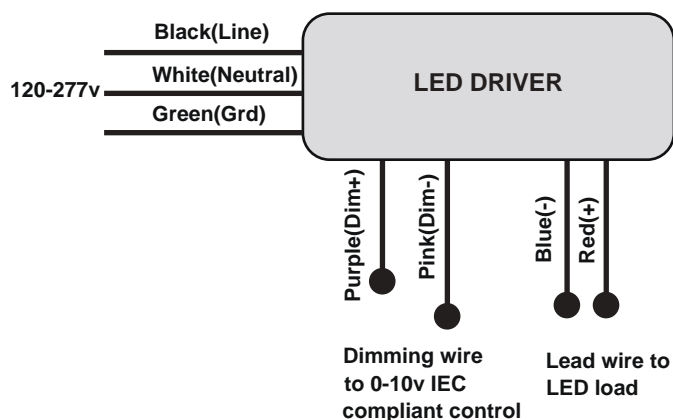
**NOTICE:** Green ground screw provided in proper location. Do not relocate.

**NOTICE:** Minimum 90° supply conductors.

**NOTICE:** Specifications and dimensions subject to change without notice.

**NOTICE:** Suitable for wet location.

### General Wiring Diagram



# LED TRI-PROOF LIGHT

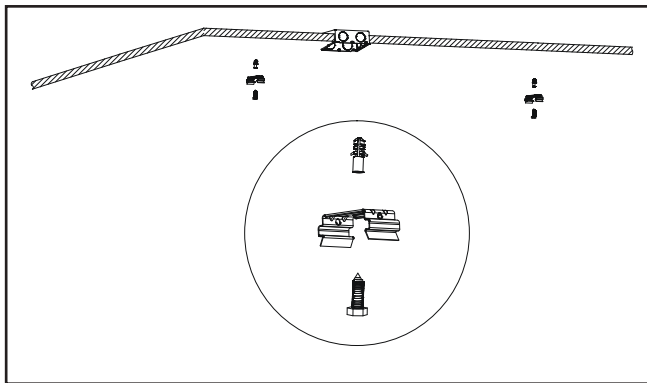
## Installation

### INSTRUCTION:

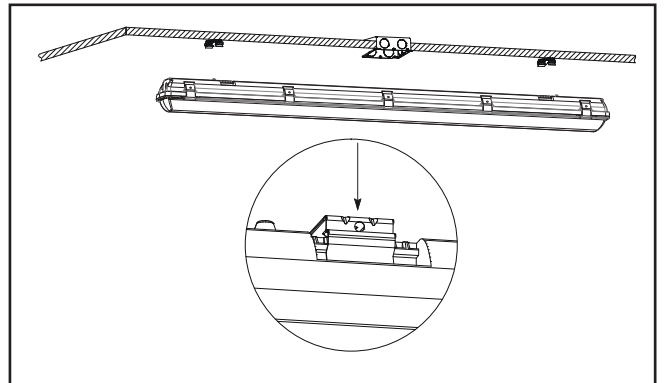
**Always turn off the power supply from main circuit breaker first!**

#### A: Surface Mounting

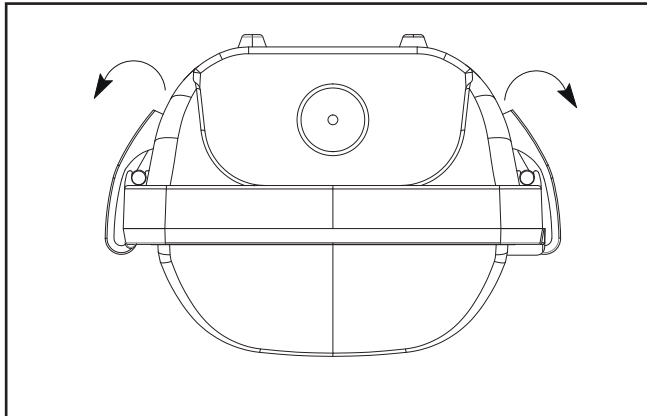
3. Locate drill holes for mounting brackets. Use hardware found in hardware kit. Mount bracket to surface.



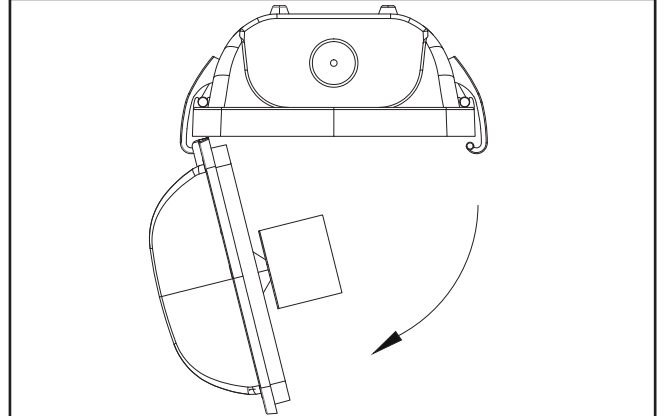
2. Secure mounting clips to housing recesses by firmly pressing them into place until both sides of the clip are secured.



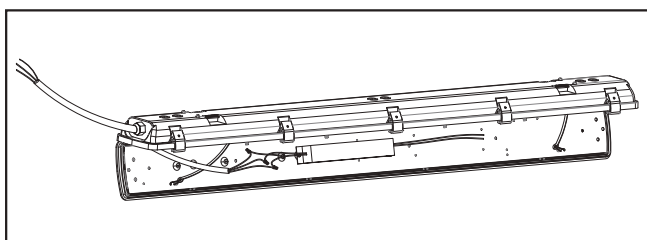
3. Release latches by pulling top of latch away from housing.



4. Without touching LED boards, detach LED tray and lens from fixture.



5. Connect power to driver as shown in the figure.  
(the flexible cord supplied by others)

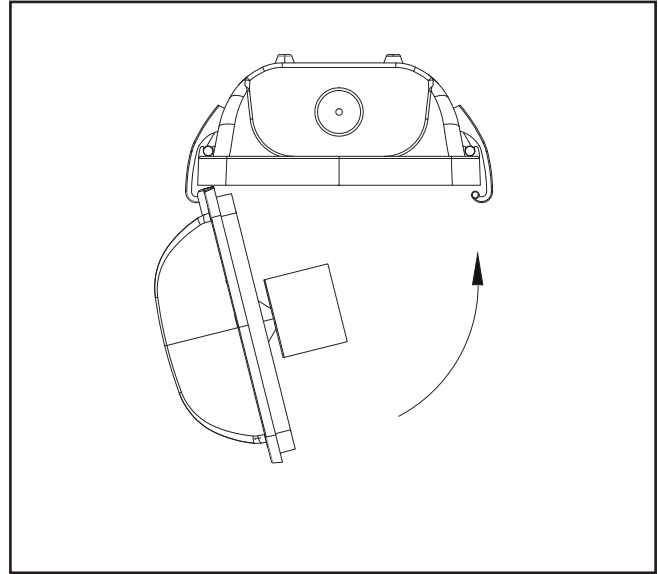
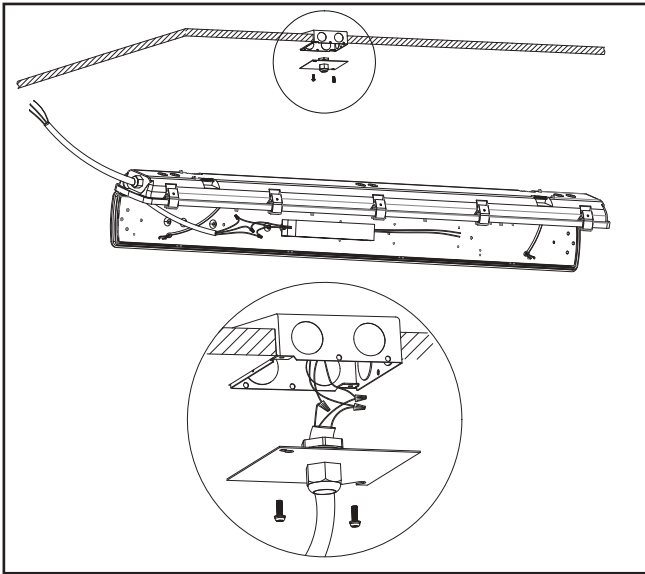


# LED TRI-PROOF LIGHT

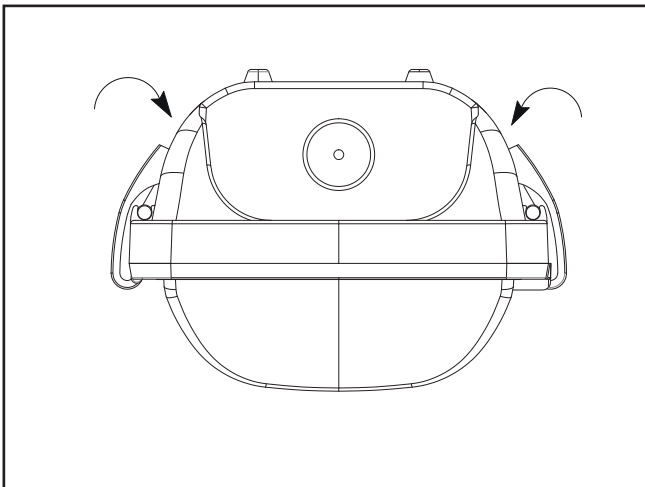
## Installation

6. Follow general wiring Diagram on Figure for reference. Make sure the power supply is disconnected before installing.

7. Reattach LED tray and lens to fixture by reversing step 4.



8. Secure lens to housing with lens latches.



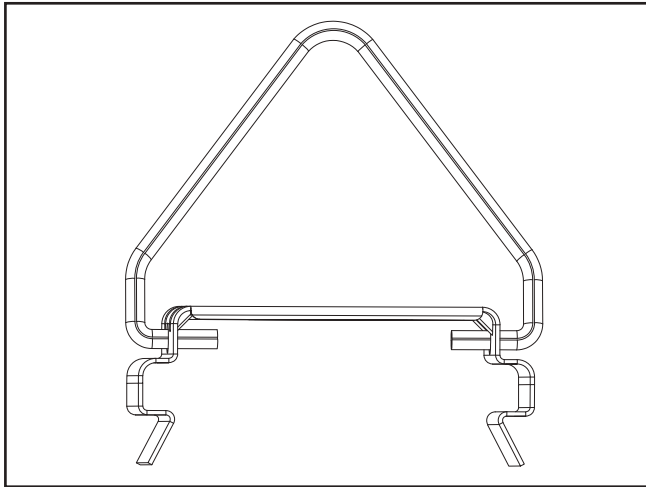


# LED TRI-PROOF LIGHT

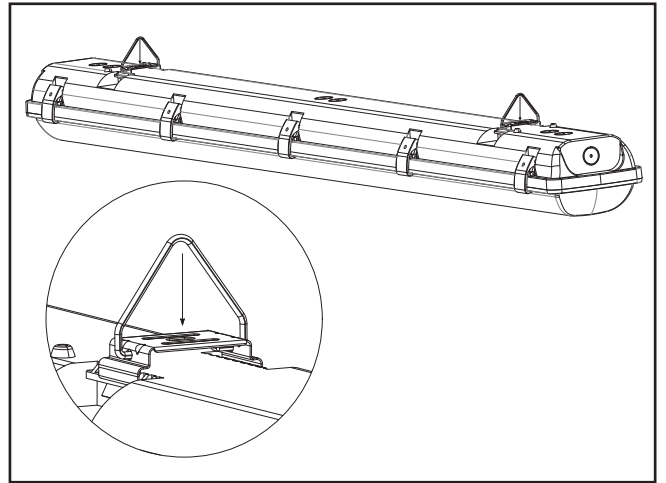
## Installation

### B: Chain Suspended Mounting

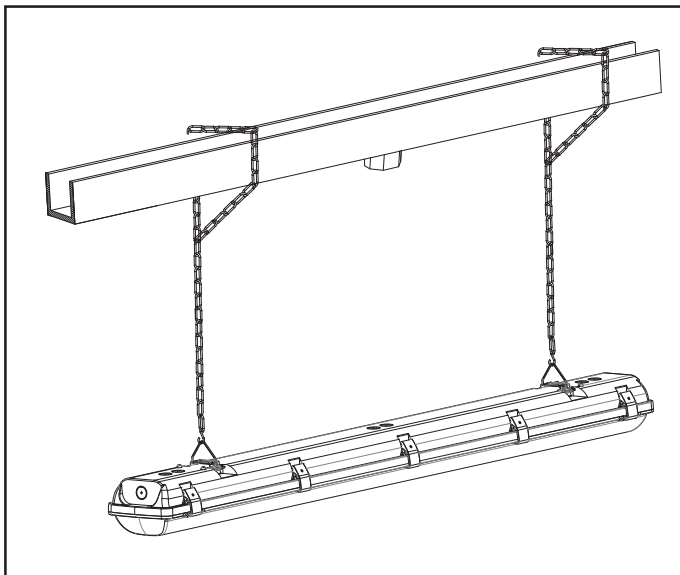
3. Attach V-bracket to each mounting clip by spreading the ends of the V-bracket apart and then inserting the legs into the holes in the side of the mounting clips.



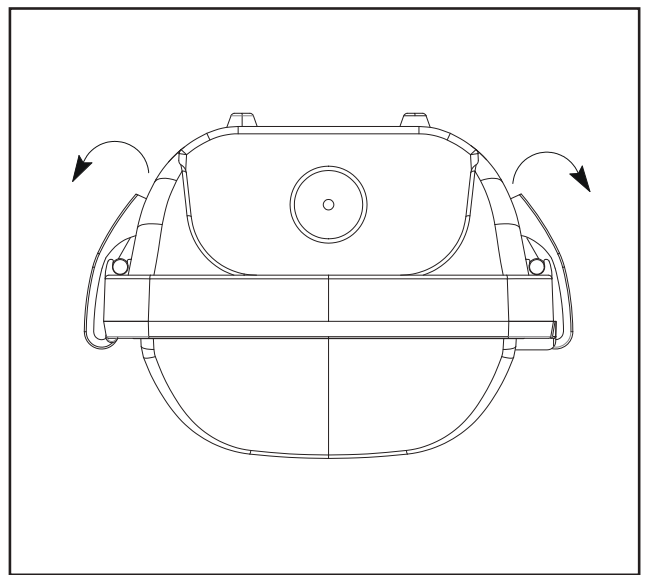
2. Secure mounting clips to housing recesses by firmly pressing them into place until both sides of the clip are secured. Hang fixture from customer supplied chain using V-brackets.



3. Hang fixture from customer supplied chain using V-brackets.



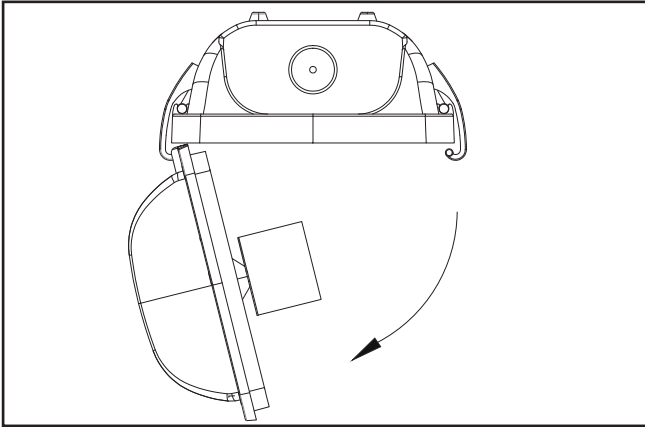
4. Release latches by pulling top of latch away from housing.



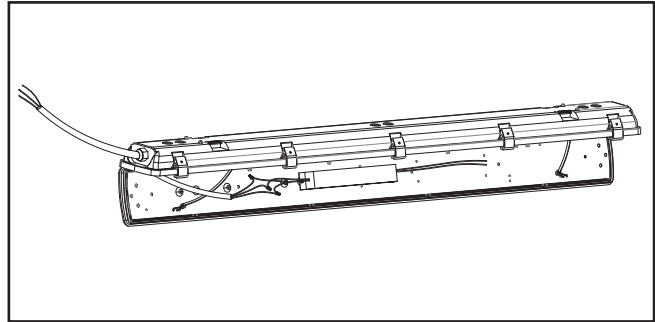
# LED TRI-PROOF LIGHT

## Installation

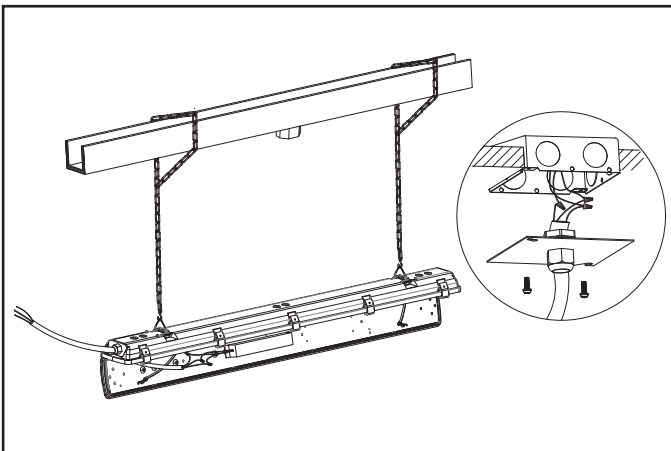
5. Without touching LED boards, detach LED tray and lens from fixture.



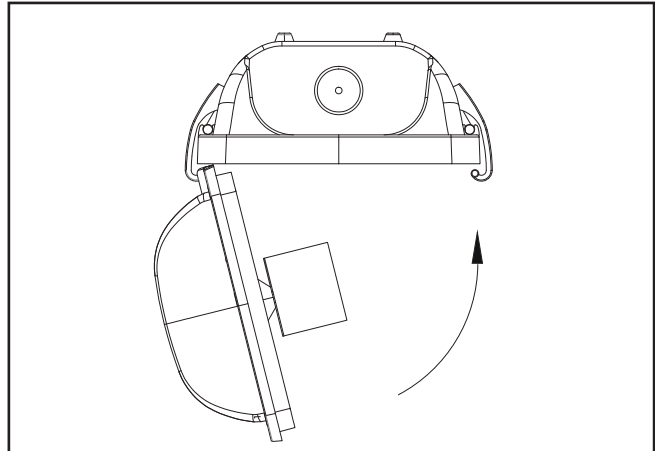
6. Connect power to driver as shown in the figure. (the flexible cord supplied by others)



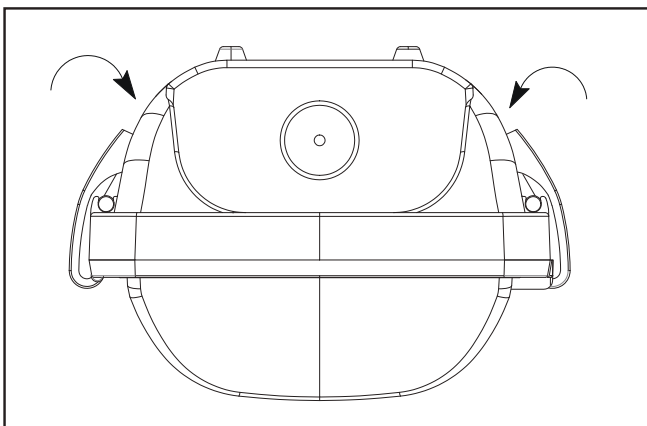
7. Follow general wiring Diagram on Figure for reference. Make sure the power supply is disconnected before installing.



8. Reattach LED tray and lens to fixture by reversing step 5.



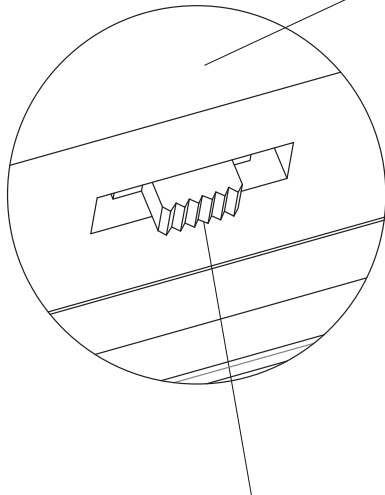
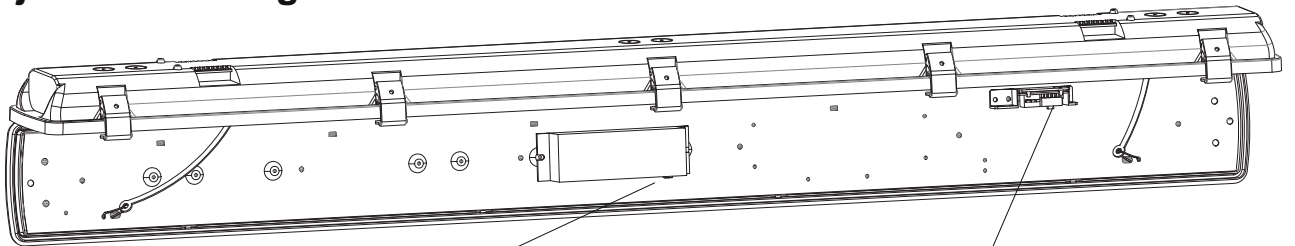
9. Secure lens to housing with lens latches.



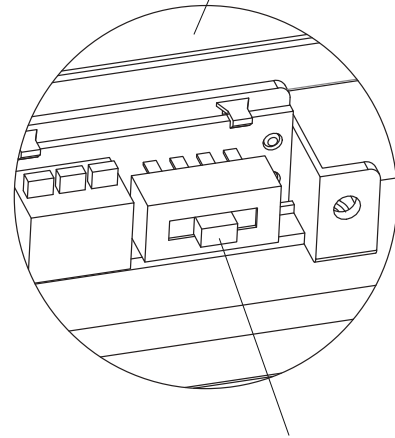
# LED TRI-PROOF LIGHT

## Installation

### Adjustable Wattage & CCT



**Wattage Switch**



**CCT Switch**

The end users may adjust the color temperature and lumen output respectively by the two DIP switch. Each DIP switch is accommodated with 3 options (left, middle and right), corresponding to 3 color temperatures and 3 powers respectively, which can perform the desired color temperature and lumen output combination.

1. DIP switches are located onto the side of the fixture.
2. Select a wattage and color temperature by sliding switch left or right respectively to the desired value.

## Packaging

Box Type	Dimension	Qty	Net Weight	Gross Weight
Inner Box	51.38 x 5.20 x 3.54	1Pc	5.29 LBS	6.17 LBS
Outer Box	51.88 x 11.22 x 8.00	4Pcs	21.16 LBS	26.12 LBS

# LED TRI-PROOF LIGHT



## Application Image



## Warranty

5 Year Warranty

LED TRI-PROOF LIGHT