



Our Wall Sconce is a traditional style wall pack that is energy-efficient and reliable, due to its compact housing and long lifespan. Wall Sconce comes with two different sizes, three adjustable wattage and Color Temperatures. Our luminaires offer classical elegance with aluminum housing and an excellent optic design for uniform light distribution. Our luminaires are ideal for applications such as personnel doors, hotel lobbies, Cafes, restaurants, Bars, Hotels, offices etc.

Product Features

- Up to 120 Lumens per watt
- Operating temperature: -20°C to 40°C
- Emits evenly, without halo and shadow
- Surface mount installation
- IP66 Rated
- Input Voltage 120-277Vac
- 80% more energy saving than halogen lamp
- ETL Listed
- 5 Year warranty

LED WALL SCONCE



SKU #	Model #	Wattage Adjustable	CCT Adjustable	Lumens	Input Voltage	Certifications
1560258	MT-WS16AD-W83C-864-011D	12W/14W/16W	3K / 4K / 5K	Up to 1920Lm	120-277Vac	ETL
1560259	MT-WS22AD-W83C-1454-011D	18W/20W/22W	3K / 4K / 5K	Up to 2640Lm	120-277Vac	ETL

SKU Number 1560258 Specifications

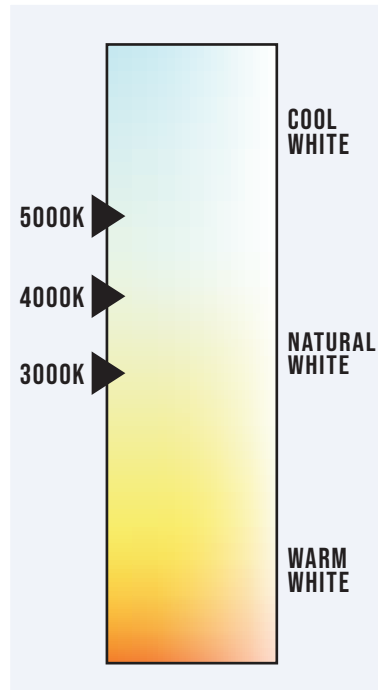
Parameter	Description	Value
General Performance	Model #	MT-WS16AD-W83C-864-011D
	Wattage Adjustable	12W / 14W / 16W
	Lumen	1440Lm - 1920Lm
	Lumen Efficacy	Up to 120LM/W
	Color Temperature	3000K / 4000K / 5000K
	CRI (Ra)	>80
	Beam Angle	270° Degree
	Diffuser Type	Frosted
Electrical	Input Voltage	120-277Vac
	Frequency	50/60Hz
	Dimming	NO
	Power Factor	>0.9
	Driver Surge Protection	2KV
	Flicker Percent	20%
Physical	Operating Temperature	-20°C To 40°C
	Operating Humidity	10% to 90%RH
	Storage Temperature	-20°C To 55°C
	Storage Humidity	10% to 90%RH
	LED Brand	Everlight
	LED Type	2835 SMD LED
	LED QTY	168Pcs
	Housing Material	Aluminum + PC
Housing Color	Black	
Qualification	IP Rated	IP66
	Warranty	5 Year Limited

SKU Number 1560259

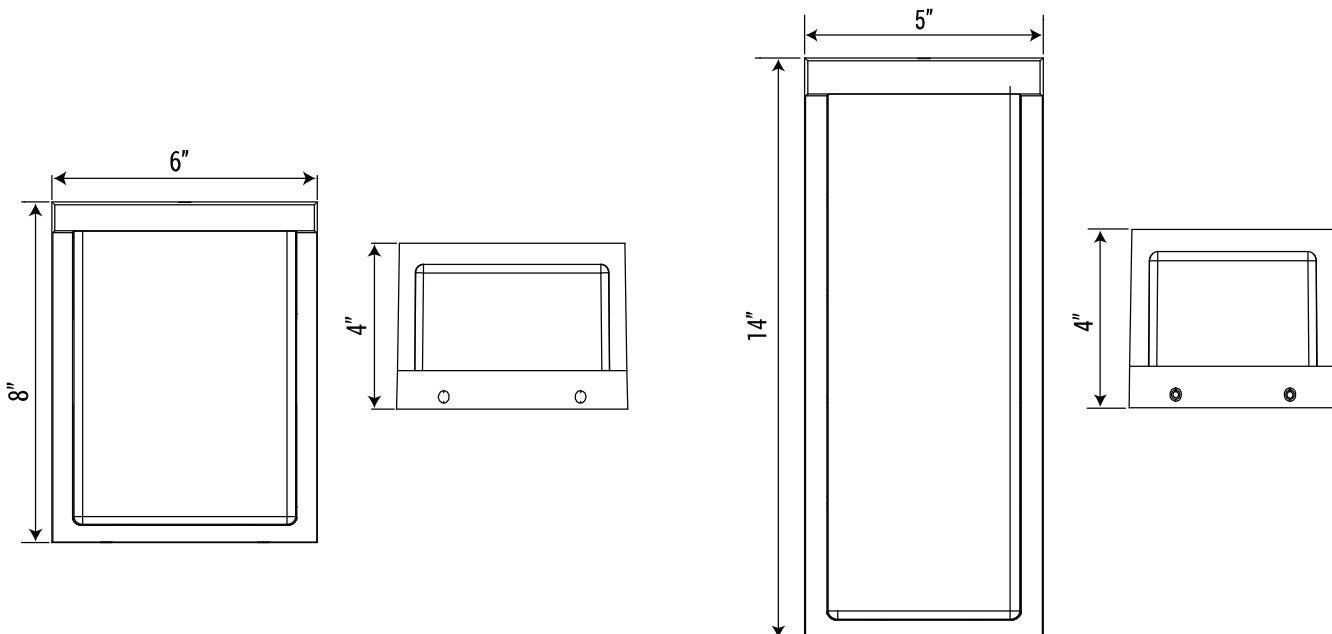
Specifications

Parameter	Description	Value
General Performance	Model #	MT-WS22AD-W83C-1454-011D
	Wattage Adjustable	18W / 20W / 22W
	Lumen	2160Lm - 2640LM
	Lumen Efficacy	Up to 120LM/W
	Color Temperature	3000K / 4000K / 5000K
	CRI (Ra)	>80
	Beam Angle	270° Degree
	Diffuser Type	Frosted
Electrical	Input Voltage	120-277Vac
	Frequency	50/60Hz
	Dimming	NO
	Power Factor	>0.9
	Driver Surge Protection	2KV
	Flicker Percent	20%
Physical	Operating Temperature	-20°C To 40°C
	Operating Humidity	10% to 90%RH
	Storage Temperature	-20°C To 55°C
	Storage Humidity	10% to 90%RH
	LED Brand	Everlight
	LED Type	2835 SMD LED
	LED QTY	192Pcs
	Housing Material	Aluminum + PC
	Housing Color	Black
Qualification	IP Rated	IP66
	Warranty	5 Year Limited

Correlated Color Temperature (CCT)

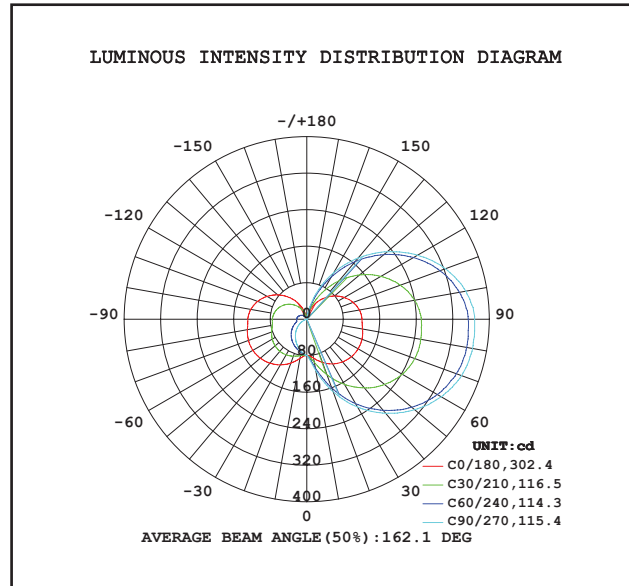


Dimensions



SKU: 156258

Photometric Data



AAI Figure

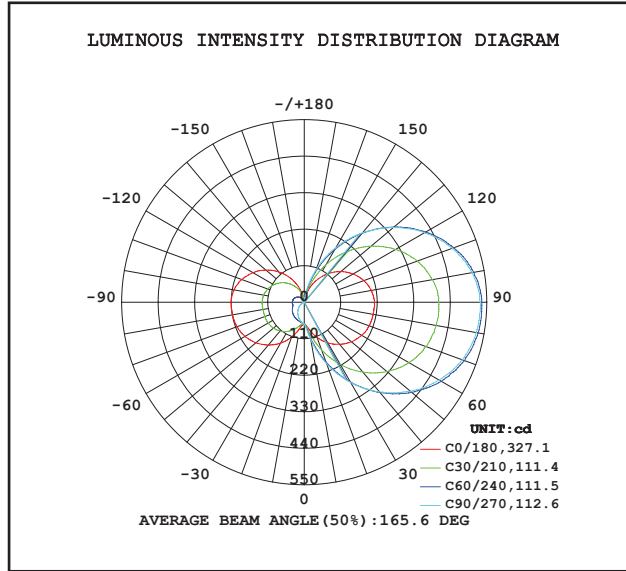
Flux out: 449.2 lm

Height	Eavg, Emax	Angle: 119.28deg	Diameter
1m	47.66, 146.61x		341.45cm
2m	11.92, 36.651x		682.90cm
3m	5.296, 16.291x		1024.35cm
4m	2.979, 9.1641x		1365.80cm
5m	1.906, 5.8651x		1707.25cm
6m	1.324, 4.0731x		2048.70cm
7m	0.9727, 2.9921x		2390.14cm
8m	0.7447, 2.2911x		2731.59cm
9m	0.5884, 1.8101x		3073.04cm
10m	0.4766, 1.4661x		3414.49cm

Note: The Curves indicate the illuminated area and the average illumination when the luminaire is at different distance.

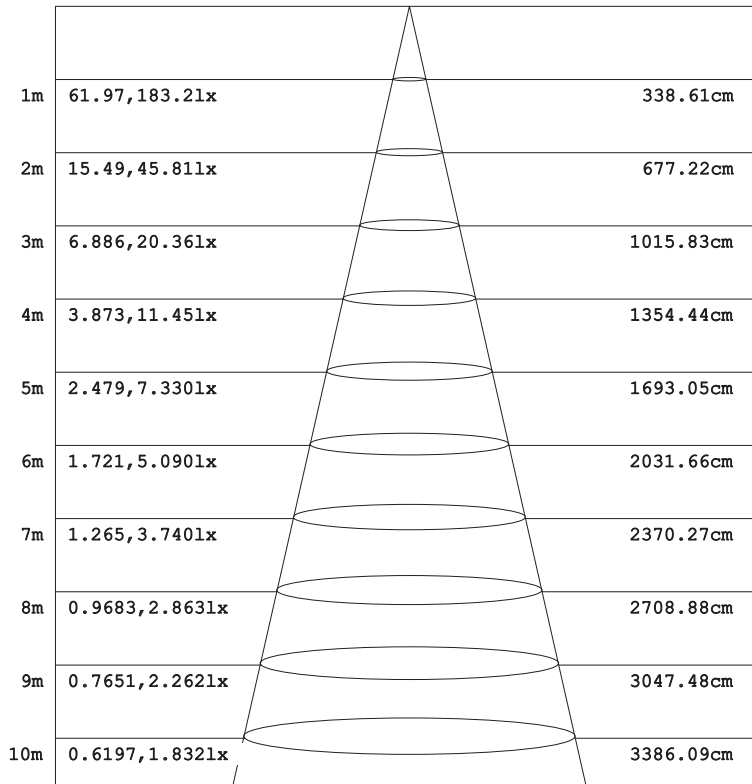
SKU: 156259

Photometric Data



AAI Figure

Flux out: 584.1 lm



Angle: 118.86deg

Note: The Curves indicate the illuminated area and the average illumination when the luminaire is at different distance.

Installation

WARNING

PLEASE READ ALL INSTRUCTIONS BEFORE ATTEMPTING INSTALLATION

- To prevent personal injury or product damage only licensed electricians should install.
- To avoid electric shock or component damage disconnect power before attempting installation or servicing. Disconnect product and allow cooling prior to servicing.
- Any alteration or modification and/or electrical shock this product is forbidden, as it may cause personal injury, death, property damage and/or product malfunction.
- This luminaire is designed to operate in ambient temperatures ranging from -40°C to 50°C (-40°F to 122°F)
- MIN 75°C SUPPLY CONDUCTORS.
- CONSULT A QUALIFIED ELECTRICIAN TO ENSURE CORRECT BRANCH CIRCUIT CONDUCTOR.

Mounting Bracket

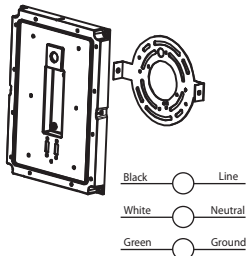


Installation Method A

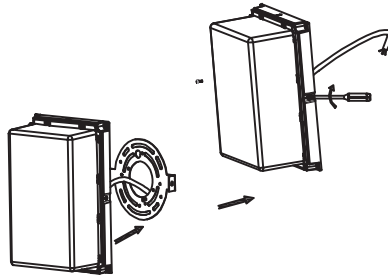
<p>Step 1: Remove the 3 screws on the PC frame, one on the top and the other two at the bottom, then take out the PC frame.</p>	<p>Step 2: Remove the screws on both sides of the light and take out the installation bracket.</p>	<p>Step 3: Screw the bracket onto the wall.</p>
--	---	--

Installation

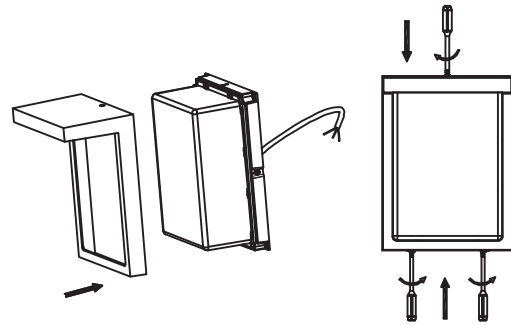
Step 4: Connect the light cable to the power input cable.



Step 5: Screw and fasten the light on the bracket with screws on both sides of the lights.

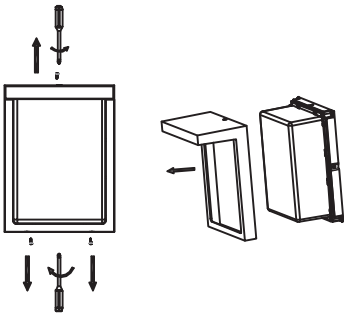


Step 6: Screw and fasten the PC frame back to the light with one screw on the top and two screws at the bottom.



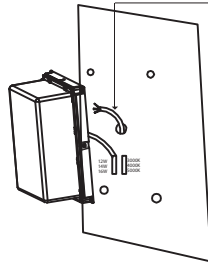
Installation Method B

Step 1: Remove the 3 screws on the PC frame, one on the top and the other two at the bottom, then take out the PC frame.

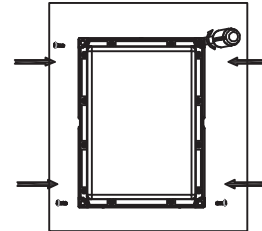


Step 2: Connect the light cable to the power input cable.

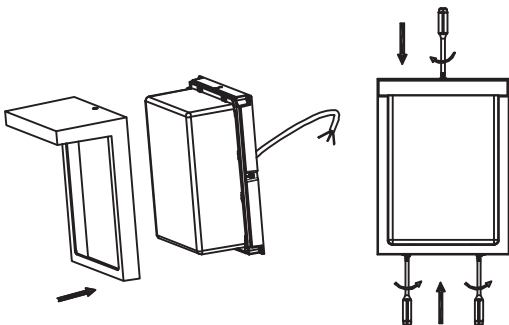
Attention: The screw hole on top of the light is mounted facing to front part of the light.



Step 3: Screw and fasten the light to the wall with 4 KA5X12 screws on the 4 corners of the light.



Step 4: Screw and fasten the PC frame back to the light with one screw on the top and two screws at the bottom.



Packaging

SKU #	Qty	Dimensions / (Inches)	NET Weight	Gross Weight
1560258	10	20.27 x 13 x 8.85	13.22lbs	15.21lbs
1560259	10	20.27 x 11.22 x 14.76	16.75lbs	18.30lbs

Application Picture



Warranty

5 Year Limited Warranty