



Our Portable work Light is the newest and the unique product of 2023. Work Light delivers up to 15000 lumens and can be installed by daisy-chain up to 15 lights in a row. Our light comes with 360° Degree angle with Portable Folding Wings Light, thus enabling full rotation forward and backward, making it extremely durable even in harsh environments. Our Portable light can be used with 4 AAA rechargeable batteries on the lamp for emergency lighting. It's great for construction site and can be used as permanent lighting in an industrial indoor and outdoor environment.

Product Features

- Up to 145 Lumens per watt
- Adj Watage: 60W/80W/100W
- Housing: Yellow & Silver
- 0-10V Dimmable
- Use 4 AAA rechargeable batteries on the lamp for emergency lighting (Ordinary uncharged batteries cannot be used).
- Daisy-Chain Up to 8 lights
- Beam Angle: Wings closed: 355° / Wings open: 106°
- Input Voltage: 120V
- The lamp cannot charge the battery when in used, need to take out and get batteries charged.
- IP65 Rated
- UL & DLC Listed
- 5 Year warranty

LED PORTABLE LIGHT

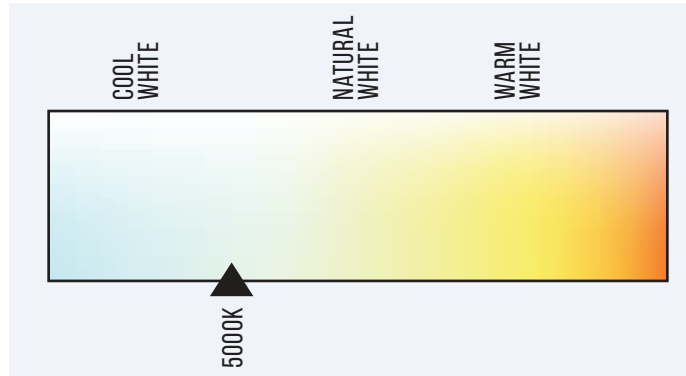


SKU #	Model #	Wattage Adj	Lumens	CCT	Housing	Input Voltage	Dimming	Certifications
1560182	BLT-CHB04B-100WBCA1-W50K	60W/80W/100W	14500lm	5000K	Yellow & Silver	120V	0-10V	UL & DLC

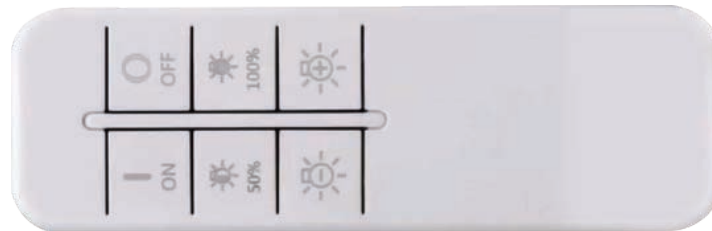
SKU: 1560182 Specifications

Parameter	Description	Value
General Performance	Model #	BLT-CHB04B-100WBCA1-W50K
	Wattage Adjustable	60W/80W/100W
	Lumen	Up to 14500LM
	Lumen Efficacy	Up to 145LM/W
	Color Temperature	5000K
	CRI (Ra)	>80
	Beam Angle	Wings closed: 355° Degree Wings open: 106° Degree
	Distribution Pattern	Type I
	Diffuser Type	Clear PC
Electrical	Input Voltage	120Vac
	Frequency	50/60Hz
	Dimming	0-10V Dimmable
	PF	≥0.9
	Flicker Percent	<70%
	Surge Protector	L/N-PE: 4kV, L-N: 4kV
Physical	Operating Temperature	Without Motion Sensor and Emergency Power Supply: -40°C TO 45°C
	Storage Temperature	-40°C TO 80°C
	Operating Humidity	20% - 90% RH
	Storage Humidity	10% - 95% RH
	LED Brand	Lumileds
	LED Type	SMD2835
	LED QTY	333 PCS
	Housing	PC + Aluminum
Housing Color	Yellow/Silver	
Qualification	IP Rating	(IP65)
	Warranty	5 Year

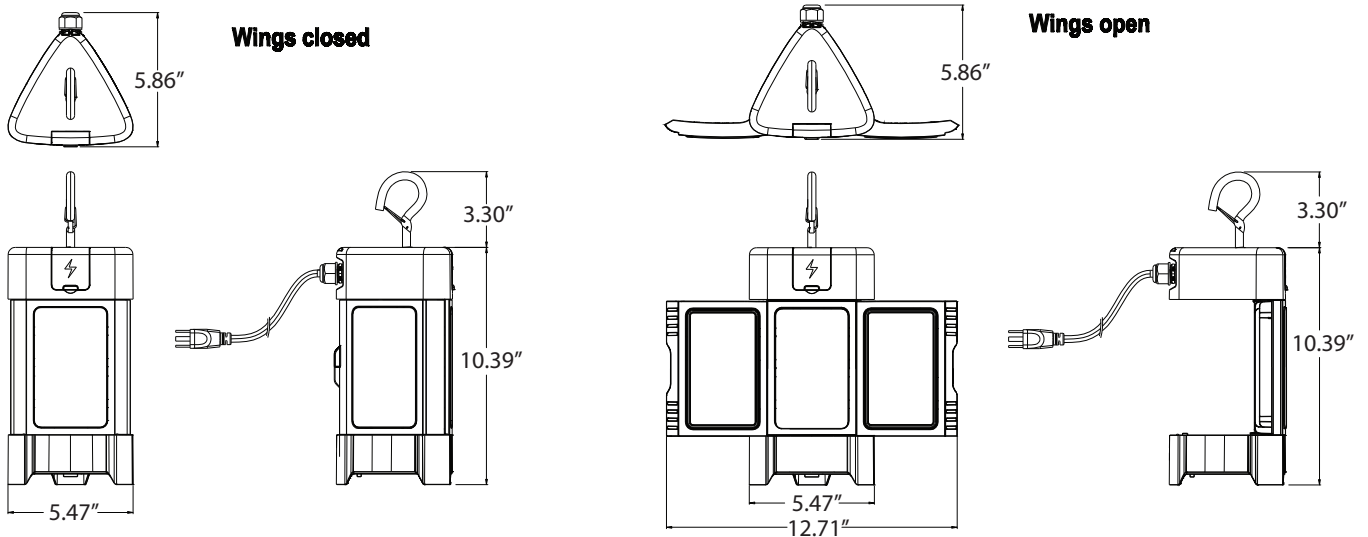
Correlated Color Temperature (CCT)



Optional Accessories



Dimension



Photometric Data (SKU: 151793)

Luminaire Property

Luminaire Manufacturer:

Voltage: 120.8 V

Power: 99.06W

Current: 0.828 A

Power Factor: 0.990

Photometric Results

IES Classification: Type I

Total Rated Lamp Lumens: 14681.5 lm

Efficiency: 100%

Upward Ratio: 51%

Central Intensity: 10.7 cd

Pos of Max. Intensity: H225 V91

Longitudinal Classification: Very Long

Measurement Flux: 14681.5 lm

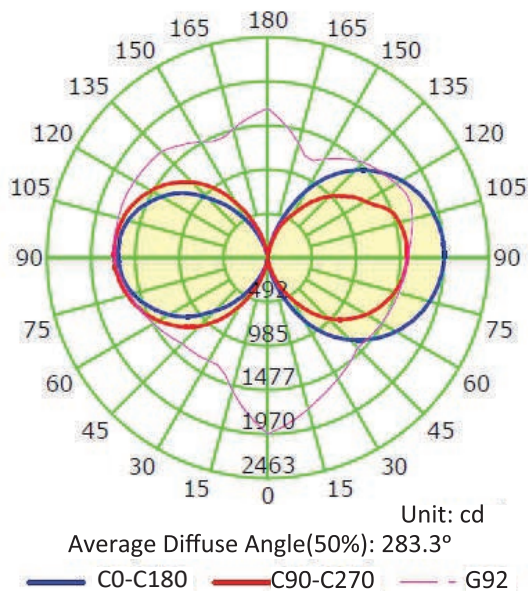
Downward Ratio: 49%

Luminaire Efficacy Rating (LER): 148.26

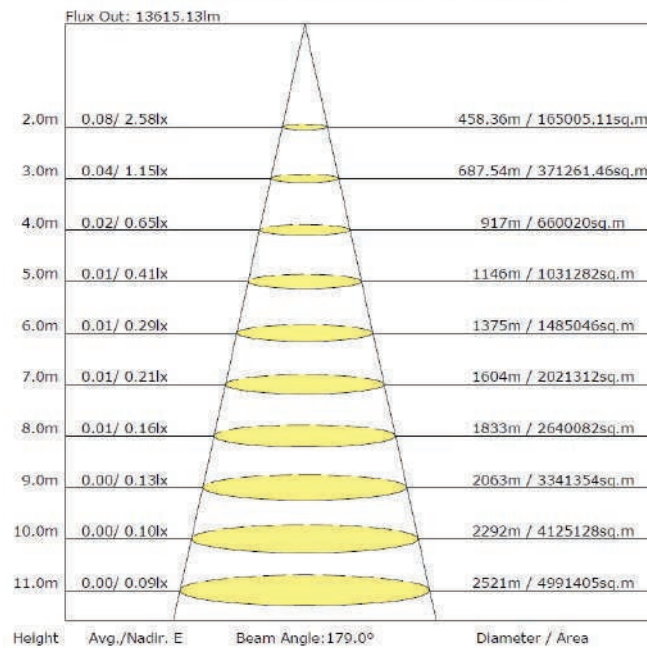
Max. Intensity: 1949.17 cd

Distribution Diagram

Luminous Intensity Distribution Curve



The Average Illuminance Effective Figure



Installation

Cautions:

1. Can not use the electric generator to test the LED lamp.
2. Please abide by related country, regional and local law and regulations when install this fixture.
3. Please turn off the power before installation or maintenance.
4. Proper earth grounding is required to ensure safety.

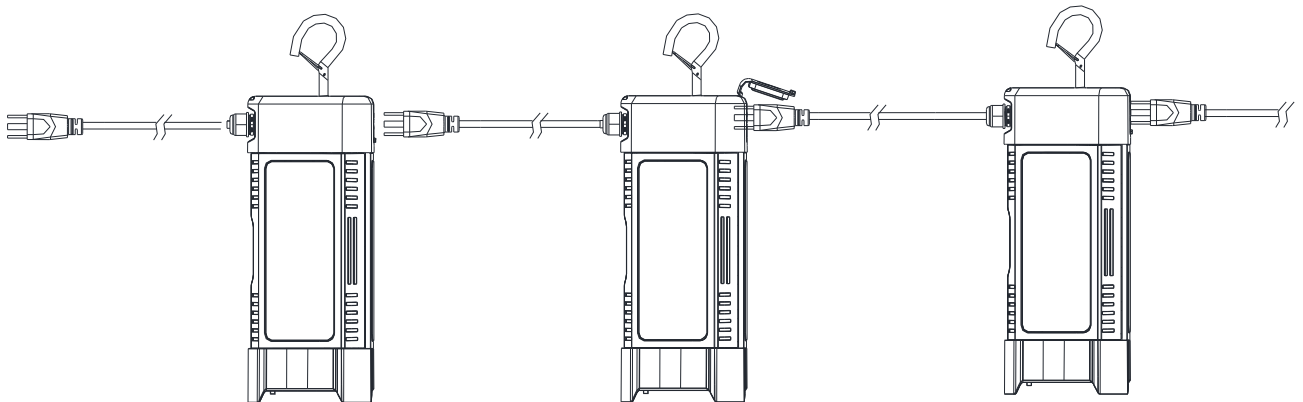
Notice:

1. To avoid possibility of electrical shock or fire, the installation personnel must have professional electric knowledge.
2. Please wear gloves to avoid injury before installation.
3. If any smoke or spark of the wire happened, please turn off the power immediately and notify relevant personnel.

Attention:

1. Please check if there is any damage during shipping. If so, please contact manufacturer timely.
2. Please read the installation instruction carefully to check whether all the accessories are complete. After confirmation, then install the fixture according to installation steps.

Installation Steps:



1. Open The Lid

2. Plug another fixture
 (Note: 1. Linkable 60W-20pcs Max
 2. Linkable 100W-12pcs Max
 3. Linkable 150W-8pcs Max)

3. Connect to power.

Installation

6 Installation Methods: Hook Mount, Industry Hook Mount, Round Pipe Mount, Magnet Mount, 1/4 NPT Stem Mount, 5/8 NPT Stem Mount

(Please choose the most suitable installation method for the purchased products as per your needs.)

A. Hook Mount:

1. Screw the hook into lamp base. (Figure 1).
2. Hang on the lamp on the ceiling hook. (Figure 2).
3. Connect the plug and socket, then finish.

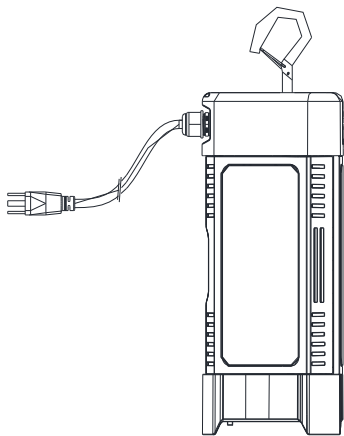


Figure 1

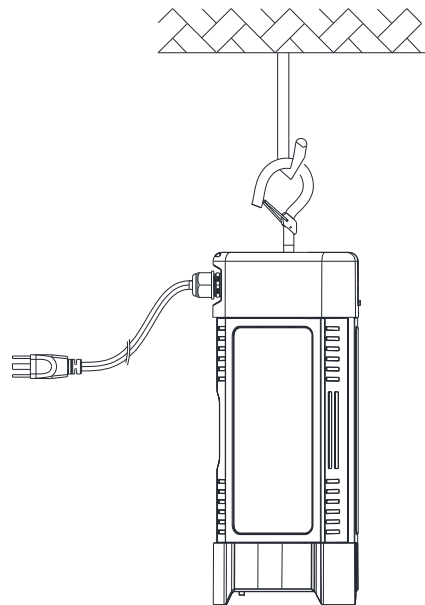


Figure 2

B. Industry Hook Mount:

1. Screw the hook into lamp base. (Figure 3).
2. Clip the fixture on the round tube and tighten the screw. (Figure 4)
3. Connect the plug and socket, then finish.

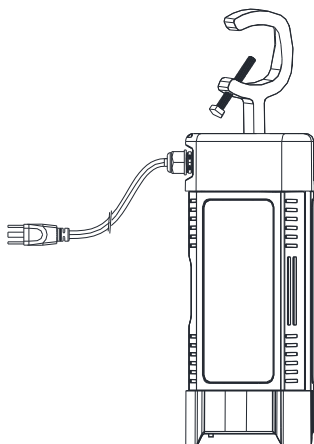


Figure 3

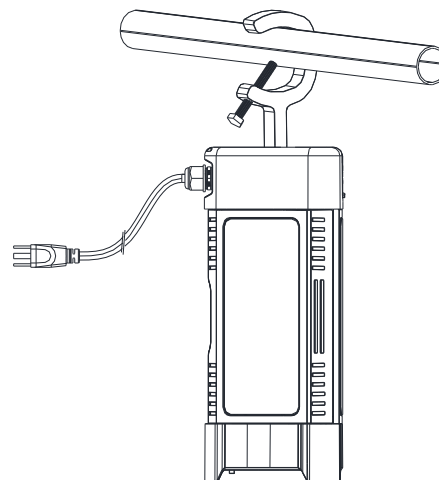
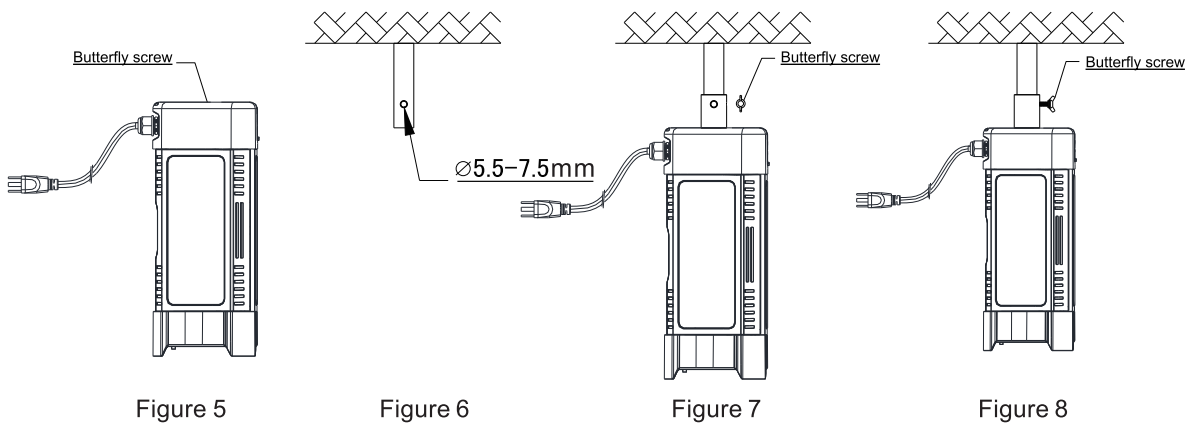


Figure 4

Installation

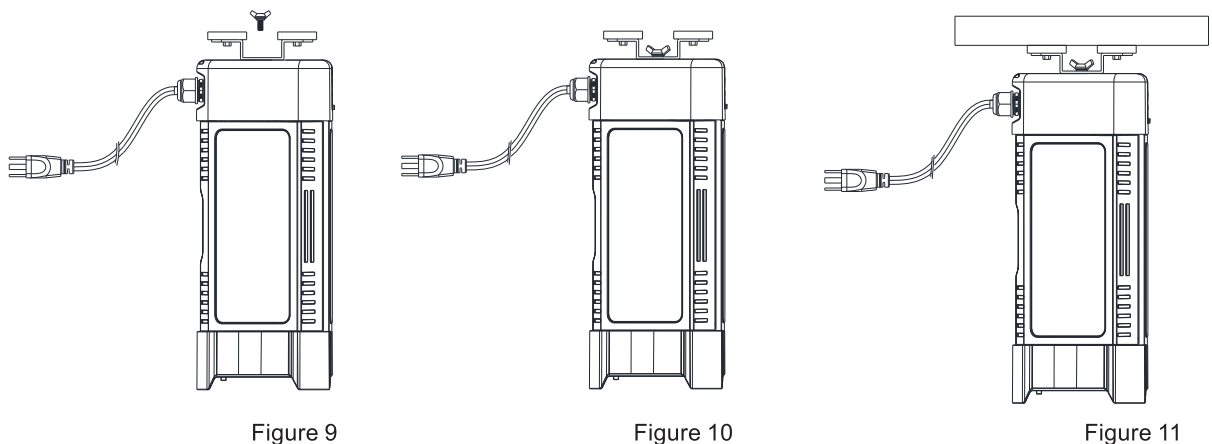
C. Round Pipe Mount:

1. Screw the round pipe into lamp base. (Figure 5)
2. Insert the fixture into a round pipe with diameter 20-25mm, the round pole must have a hole with diameter 5.5-7.5mm(Figure6) and then tighten butterfly screw(Figure7)(Figure8), please make sure the butterfly screw was completely inserted into the hole on the round pole!
3. Connect the plug and socket, then finish.



D. Magnet Mount:

1. Tighten the magnet bracket on the lamp base with butterfly screw. (Figure 9)(Figure10).
2. Attach the fixture to the iron plate(Figure11). Pay attention to the fragile magnet.
3. Connect the plug and socket, then finish.



Installation

E. 1/4 NPT Stem Mount:

1. Only suitable for threaded round pole with the diameter 1/4inch. Put the 1/4 NPT Stem into the round pole (Figure 12), then tighten the 1/4 NPT Stem by screwing the butterfly screw (Figure 13).
2. Connect the fixture to the 1/4 NPT Stem; (Figure 13, 14) Finally connect the plug to the socket.

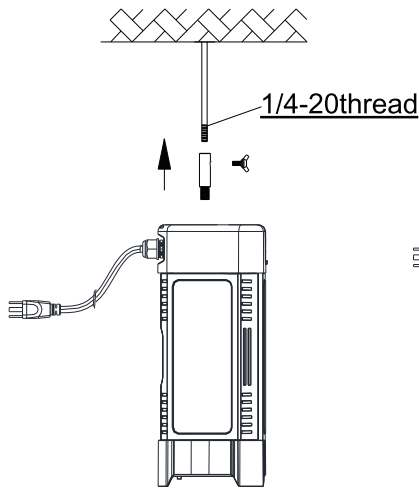


Figure 12

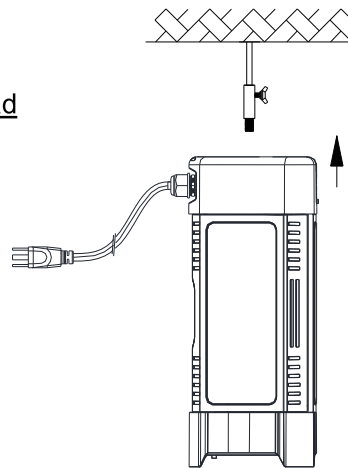


Figure 13

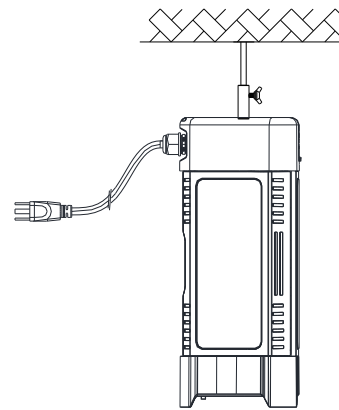


Figure 14

F. 5/8 NPT Stem Mount:

1. Only suitable for threaded round pole with the diameter 5/8inch. Put the 5/8 NPT Stem into the round pole (Figure 15), then tighten the 5/8 NPT Stem by screwing the butterfly screw (Figure 16);
2. Connect the fixture to the 5/8 NPT Stem; (Figure 16, 17)
3. Finally connect the plug to the socket.

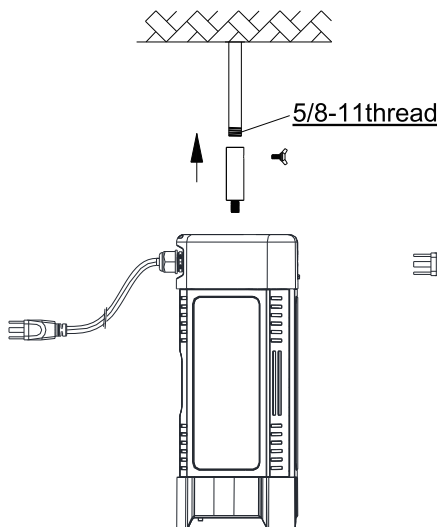


Figure 15

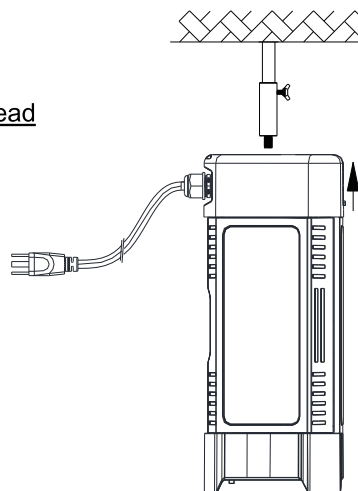


Figure 16

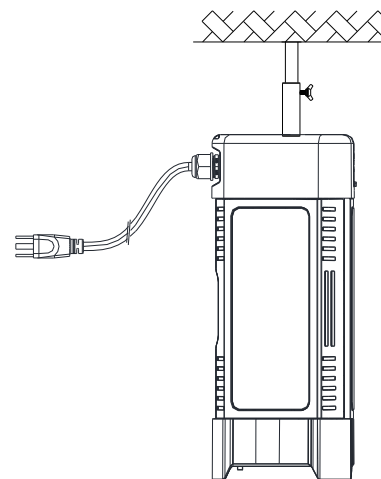


Figure 17

Installation

Warning / Avertissement

MIN 75°C SUPPLY CONDUCTOR

THIS PRODUCT MUST BE INSTALLED IN ACCORDANCE WITH THE APPLICABLE INSTALLATION CODE BY A PERSON FAMILIAR WITH THE CONSTRUCTION AND OPERATION OF THE PRODUCT AND THE HAZARDS INVOLVED.

LES FILS D'ALIMENTATION 75°C MIN

CE PRODUIT DOIT ÊTRE INSTALLÉ SELON LE CODE D'INSTALLATION PERTINENT, PAR UNE PERSONNE QUI CONNAÎT BIEN LE PRODUIT ET SON FONCTIONNEMENT AINSI QUE LES RISQUES INHÉRENTS.

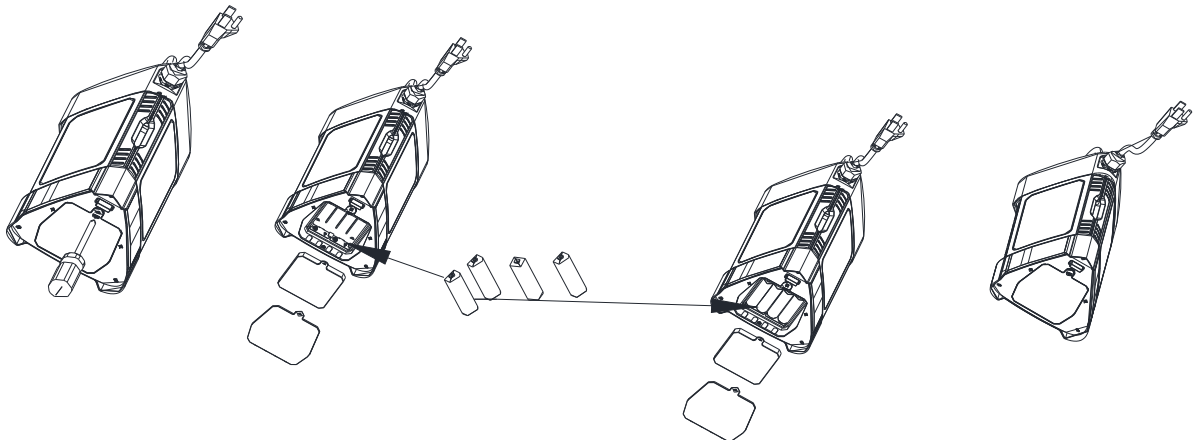


figure 1

figure 2

figure 3

figure 4

Installation Steps

Step 1: Open the battery cover with a screwdriver and remove the silicone sleeve, See Figure 1.

Step 2: Remove the silicone sleeve, see Figure 2.

Step 3: Install Four AA rechargeable batteries, see Figure 3.

Step 4: Install the silicone sleeve and battery cover successively, see Figure 4

Note:

1. This product needs to use with Four AA rechargeable batteries, LR03 1.3V batteries.
2. Do not use old batteries or mix up with different types of batteries.
3. The battery may discharge completely after 12 months even if not in use.

Notice For User

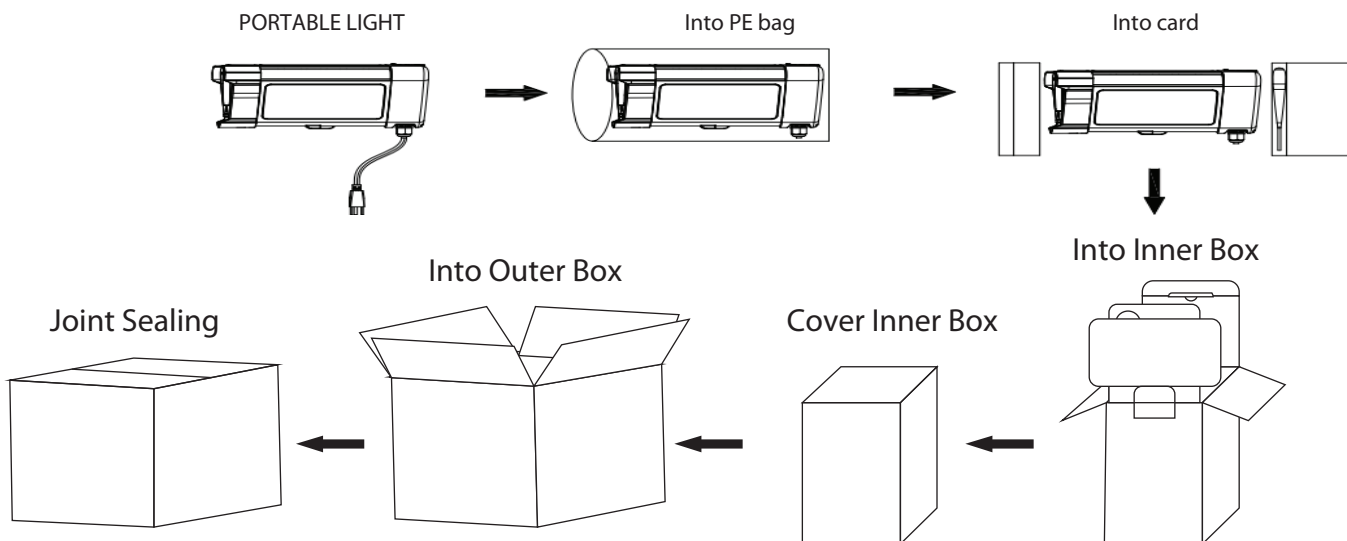
- Please turn off power before install or change assembly parts.
- The input voltage and luminaire should be matched, after connecting the power line, Please make sure the wiring section is insulated.
- No-professionals, must not install and disassemble the luminaire.

TROUBLE SHOOTINGS

Troubles	Check points
Flickering of the light	Turn off the power and turn on again in 3 minutes. If same phenomena occur, then call agencies.
Out of working	Please check the connection.

Packaging

Carton Type	Carton Size (Inches)	Qty	Net Weight	Gross Weight
Inner Box	7.67 x 6.69 x 13.58	1 Pcs/ Box	5.15 LBS	5.7 LBS
Outer Box	16.14 x 14.17 x 14.17	4 Pcs/ Box	20.63 LBS	24.42 LBS



Application Image



Warranty

5 Year Warranty