



Nothing But LED's New UFO High-Bay is the newest and most feature rich product of 2022. This UFO High-Bay fixture offers High Lumens per Watt for maximum savings and rebates. The LED UFO High-Bay is built to last with surge protection, 113°F ambient temperature rating and IP65 rating for elimination of dust, moisture and airborne contaminants. The unique easy connect driver to optical assembly interface allows for quick and easy maintenance. Applications including warehousing, gymnasiums, manufacturing and outdoor canopies. Our High Bay is fully ready to integrate with most smart control systems.

Product Features

- Up to 170 lumens per watt
- Input Voltage 120-277V
- Optional Microwave sensor
- Optional Emergency backup
- Unique design
- High efficacy, 150lm/w or 180lm/w
- SMD2835 LED
- 4KV surge protector
- IP66 Rated
- UL & DLC listed
- 5 Year warranty

LED ROUND HIGH BAY

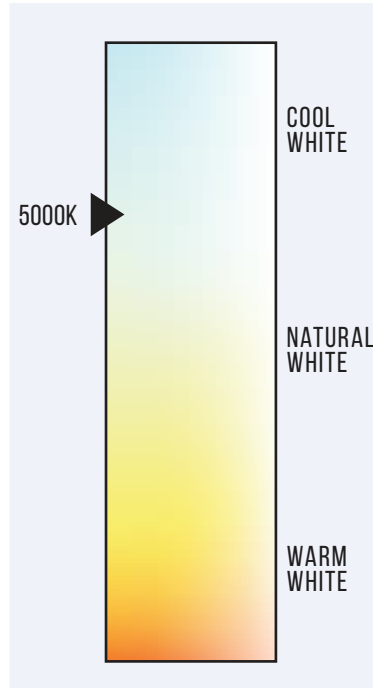


SKU #	Model #	Watt	Lumens	CCT	Housing Color	Dimming	Input Voltage	Certifications
1550915	BLT-PRO240W-50K 70LV-GSH	240W	40800Lm	5000K	Black	0-10V	120-277Vac	UL & DLC

SKU Number 1550915 Specifications

Parameter	Description	Value
General Performance	Model #	BLT-PRO240W-50K70LV-GSH
	Wattage	240W
	Lumens	Up to 40800LM
	Lumen Efficacy	Up to 170LM/W
	Color Temperature	5000K
	CRI (Ra)	>70
	Beam Angle	90° Degree
	Diffuser Type	PC Lens
Electrical	Driver Model	XBL-240NA-130DAF
	Input Voltage	120-277Vac
	Frequency	50/60Hz
	Dimming	0-10V
	Power Factor	0.9
	Driver Surge Protection	4KV
Physical	Flicker Percent	Flicker Free
	Operating Temperature	-30°C - 45°C
	LED Brand	Elite
	LED Type	SMD2835
	LED QTY	594PCS
	Housing	Die-cast Alumium
Qualification	Housing Color	Black
	IP Rating	IP66
	Warranty	5 Year

Correlated Color Temperature (CCT)



Bracket instruction



O Hook Mount



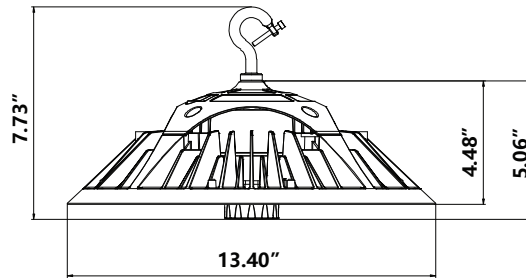
G Hook Mount



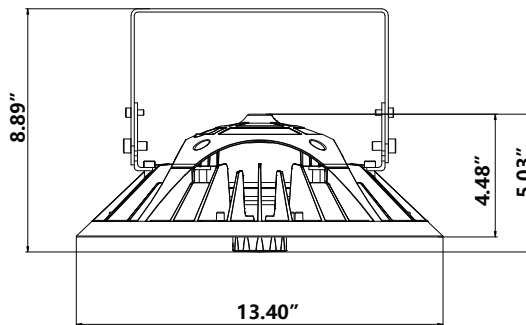
U bracket

Dimensions

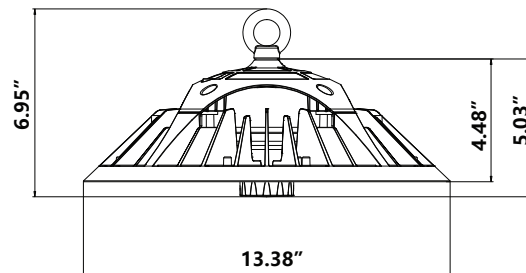
G Hook Mount



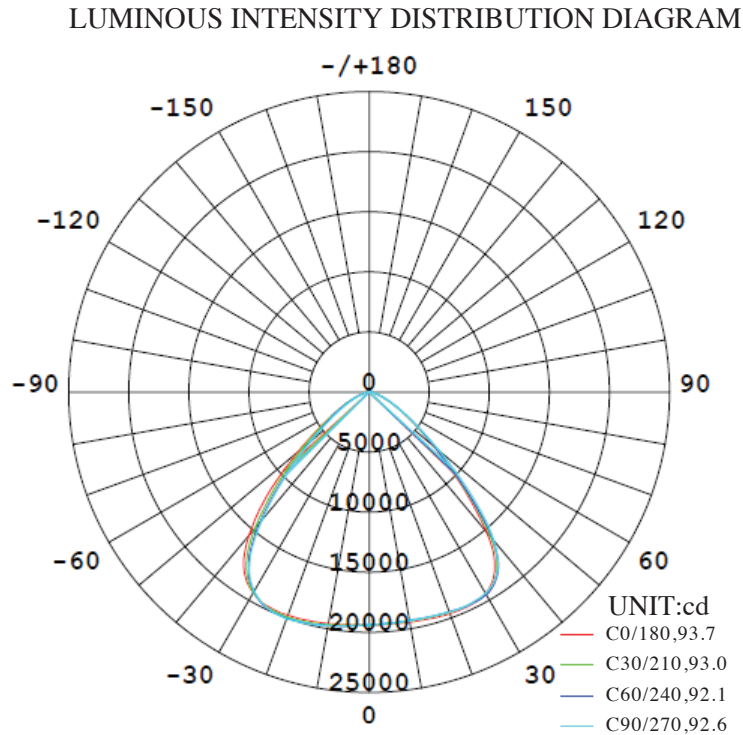
U bracket



O Hook Mount

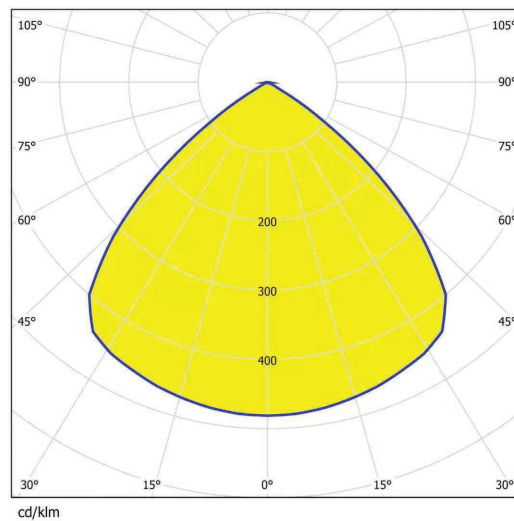


Luminous Intensity Distribution Diagram (120V):



AVERAGE BEAM ANGLE (50%) : 92.8 DEG

Photometric



90°

Installation

» Application

Please read this manual carefully before using the product

Widely used in Warehouse • Stadiums • Factories • Supermarket • Logistics Center • Exhibition Hall.



Notes before Installation

1. Be careful to open the carton, contact us if any damage.
2. This product must be installed in accordance with the applicable installation, code by a person familiar with the construction and operation of the product and the hazards involved.
3. “caution - risk of shock” and “disconnect power before servicing” when photoelectric switch provided.
4. Please check whether the voltage marked on the luminaire is consistent with the input voltage to be connected, so as not to damage the LED luminaire.
5. To ensure the lifetime of the product, please do not use it in a place with strong acid mist.
6. Make sure the installation position can withstand 10 times the weight of the luminaire before installation and install it at a flat place without vibration, no swing, no fire hazard.

» Package

1. LED PRO HIGHBAY LIGHT
2. Installation Instruction.

» Overview Description

Driver Housing

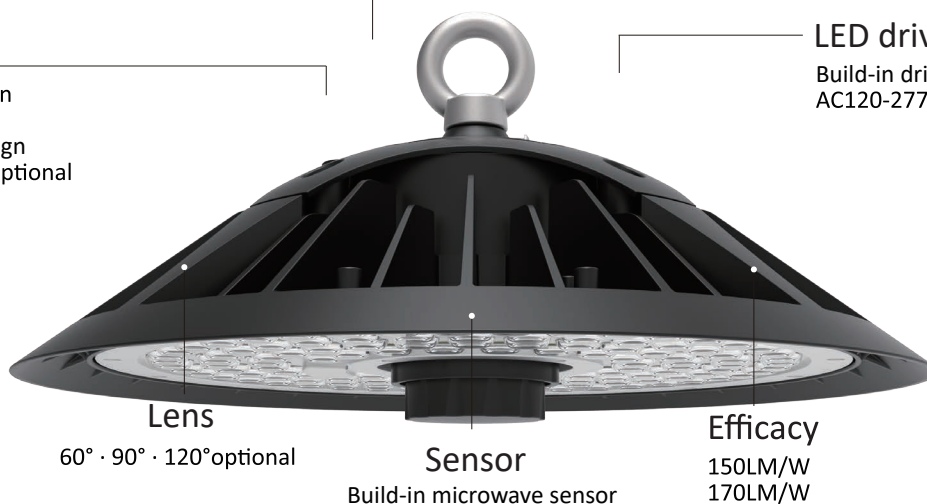
white · blue · red · orange · yellow · green · black
driver housing color optional

Housing

Patented design
IP66
Super thin design
White · Black optional

LED driver

Build-in driver
AC120-277V/120-347V



Lens

60° · 90° · 120° optional

Sensor

Build-in microwave sensor

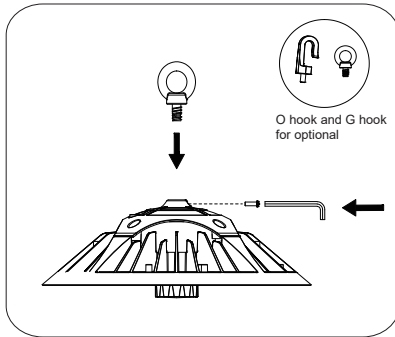
Efficacy

150LM/W
170LM/W

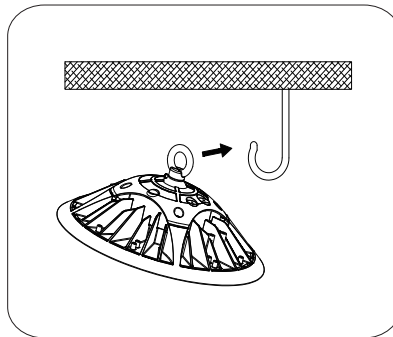
Installation

Please read this manual carefully before using the product

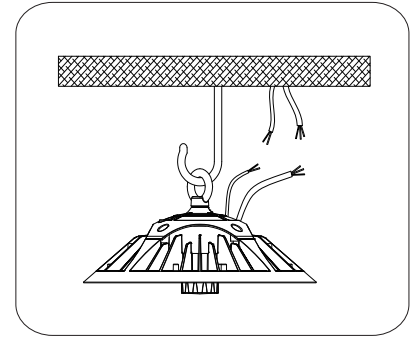
O / G Hook Mount



1. Fix the ring to the lamp (rotate clockwise), tighten the screw

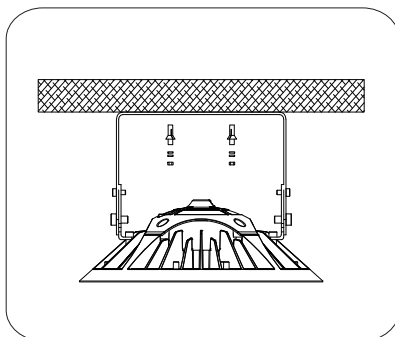


2. Put the ring into the mounting hook

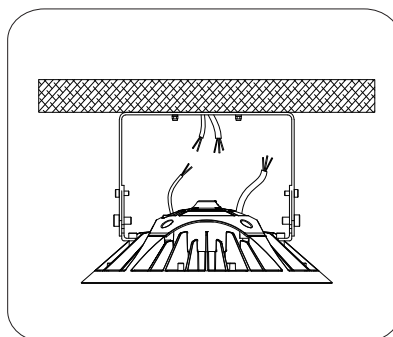


3. Wired as required under safety protection

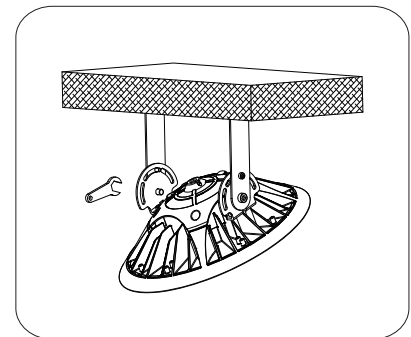
U bracket



1. Set the expansion screws to the existing drilling hole.

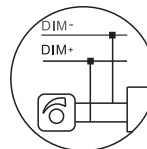
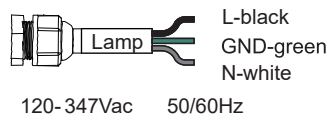


2. Wired as required under safety protection.



3. Use wrench to reverse hexagon nut adjust the requested angle.

» wiring diagram



Dimmer connect the wires:
 DIMI+ match DIMI+;
 DIMI- match DIMI-

» Shipping and Warehousing

1. Please do not shake it too much during transportation, handle carefully when unloading.
2. Recommended to be stored in a warehouse of -10~ +60 °C and keep the warehouse dry

» Trouble shooting

PROBLEM	POSSIBLE CAUSE	SOLUTION
Light will not come on	A. Light switch is turned off. B. Fuse is blown or circuit breaker is turned off. C. Incorrect circuit wiring.	A. Turn light switch on. B. Replace fuse or turn circuit breaker on. C. Verify that fixture is wired properly.

LED ROUND HIGH BAY



Application Picture



PACKAGE

SKU #	Carton Size Inches	Qty / Carton	Net Weight / Carton	Gross Weight / Carton
1550915	15.75 x 15.75 x 6.10	1PC		

Warranty

5 Year warranty