



Nothing But LED's wall pack is the newest, most innovative, and feature-rich product of 2022. It offers three adjustable wattages with energy-efficient LED technology. Wall Pack comes with a Built-in photocell. Our Wall Pack luminaires come with die-cast aluminum housing and a polycarbonate lens to stand up for many years of punishing environmental conditions.

Product Features

- Up to 136Lm per watt
- Wattage Adjustable
- Input voltage 120-277VAC
- High efficiency Lumileds 2835
- 0-10V dimming
- IP65 Rated
- Built-in Photocell
- Light is soft and uniform, safe to eyes
- Instant start, NO flickering, NO humming
- UL & DLC Listed
- 5 Year warranty

LED WALL PACK



SKU #	Model #	Wattage Adjustable	Lumens	CCT	IP	Housing	Input Voltage	Certifications
1550647	BLT-SWP08M-60HBSPSA1-BRW50	40W/50W/60W	8093Lm	5000K	IP65	Bronze	120-277V	UL & DLC
1550648	BLT-SWP08M-100WBSPSA1-BRW50	60W/80W/100W	14100Lm	5000K	IP65	Bronze	120-277V	UL & DLC
1560163	BLT-SWP08M-120WBSPSA1-BRW50	80W/100W/120W	15765Lm	5000K	IP65	Bronze	120-277V	UL & DLC

SKU Number 1550647 Specifications

Parameter	Description	Value
General Performance	Model #	BLT-SWP08M-60HBSPSA1-BRW50
	Wattage Adjustable	40W / 50W / 60W
	Lumen	8093LM
	Lumen Efficacy	Up to 136LM/W
	Color Temperature	5000K
	CRI (Ra)	>80
	Beam Angle	H92*V102° Degree
	Diffuser Type	PC
Electrical	Input Voltage	120-277Vac
	Frequency	50/60Hz
	Dimming	0-10V
	Power Factor	≥0.9
	Driver Surge Protection	L-N: 4kV, L&N-E: 4kV
Physical	Driver Model	HB-LPG060G-52
	Flicker Percent	<50%
	Operating Temperature	-40°C To 45°C
	Operating Humidity	20% - 90%RH
	Storage Temperature	-40°C To 80°C
	Storage Humidity	10% - 95% RH
	LED Brand	Lumileds
	LED Type	SMD 2835
Qualification	LED QTY	176 PCS
	IP Rating	IP65
	Housing	Die-cast aluminum
Qualification	Housing Color	Bronze
	Warranty	5 Year

SKU Number 1550648

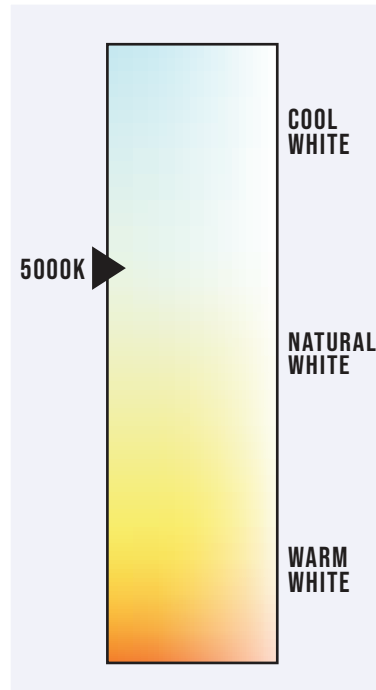
Specifications

Parameter	Description	Value
General Performance	Model #	BLT-SWP08M-100HBSPSA1-BRW50
	Wattage Adjustable	60W / 80W / 100W
	Lumen	14100LM
	Lumen Efficacy	Up to 136LM/W
	Color Temperature	5000K
	CRI (Ra)	>80
	Beam Angle	H92*V102° Degree
Electrical	Diffuser Type	PC
	Input Voltage	120-277Vac
	Frequency	50/60Hz
	Dimming	0-10V
	Power Factor	≥0.9
	Driver Surge Protection	L-N: 4kV, L&N-E: 6kV
	Driver Model	WP-CNB-100U-1A0SCPF1-Z-PRO
Physical	Flicker Percent	<30%
	Operating Temperature	-40°C To 45°C
	Operating Humidity	20% - 90%RH
	Storage Temperature	-40°C To 80°C
	Storage Humidity	10% - 95% RH
	LED Brand	Lumileds
	LED Type	SMD 2835
Qualification	LED QTY	273 PCS
	IP Rating	IP65
	Housing	Die-cast aluminum
Qualification	Housing Color	Bronze
	Warranty	5 Year

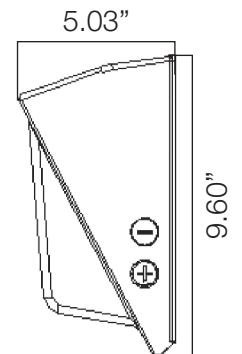
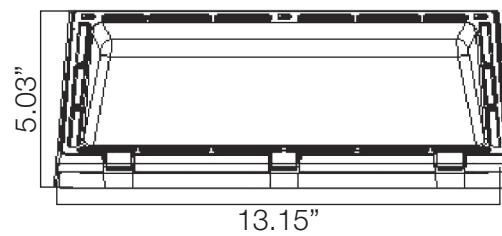
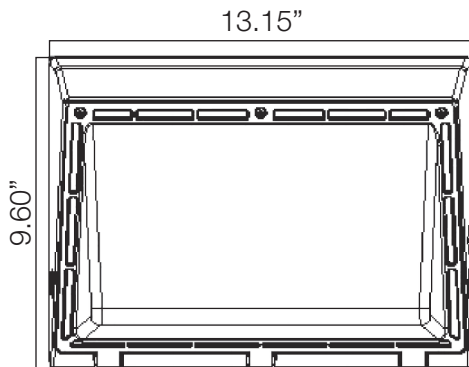
SKU Number 1560163 Specifications

Parameter	Description	Value
General Performance	Model #	BLT-SWP08M-120HBSPSA1-BRW50
	Wattage Adjustable	80W / 100W / 120W
	Lumen	15765LM
	Lumen Efficacy	Up to 136LM/W
	Color Temperature	5000K
	CRI (Ra)	>80
	Beam Angle	H92*V102° Degree
	Diffuser Type	PC
Electrical	Input Voltage	120-277Vac
	Frequency	50/60Hz
	Dimming	0-10V
	Power Factor	≥0.9
	Driver Surge Protection	L-N: 4kV , L&N-E: 6kV
	Driver Model	WP-CNB-120U-1A2SCPO-Z-PRO
	Flicker Percent	<30%
Physical	Operating Temperature	-40°C To 45°C
	Operating Humidity	20% - 90%RH
	Storage Temperature	-40°C To 80°C
	Storage Humidity	10% - 95% RH
	LED Brand	Lumileds
	LED Type	SMD 2835
	LED QTY	336 PCS
	IP Rating	IP65
Qualification	Housing	Die-cast aluminum
	Housing Color	Bronze
	Warranty	5 Year

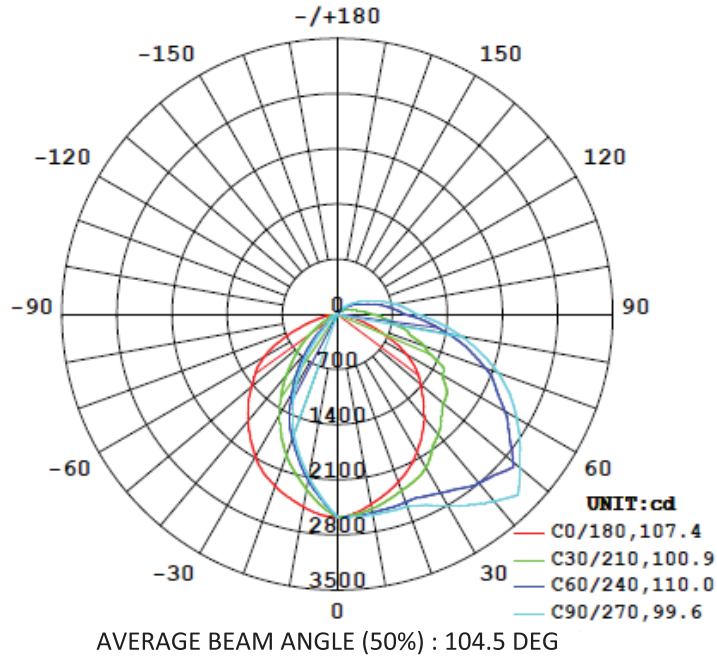
Correlated Color Temperature (CCT)



Dimension



Distribution Diagram (SKU: 1550647)

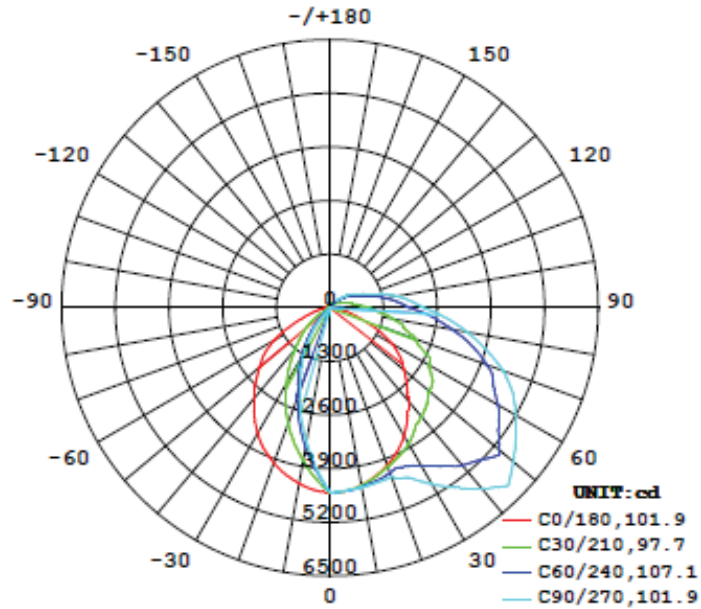


Flux out: 4094 lm

Height	Eavg, Emax	Angle: 99.59deg	Diameter
1m	917.6, 2572lx		236.61cm
2m	229.4, 643.1lx		473.22cm
3m	102.0, 285.8lx		709.82cm
4m	57.35, 160.8lx		946.43cm
5m	36.70, 102.9lx		1183.04cm
6m	25.49, 71.45lx		1419.65cm
7m	18.73, 52.50lx		1656.25cm
8m	14.34, 40.19lx		1892.86cm
9m	11.33, 31.76lx		2129.47cm
10m	9.176, 25.72lx		2366.08cm

Note: The Curves indicate the illuminated area and the average illumination when the luminaire is at different distance.

Distribution Diagram (SKU: 1550648)



AVERAGE BEAM ANGLE (50%) : 102.1 DEG

Flux out: 6915 lm

Height	Eavg, Emax	Angle: 101.91deg	Diameter
1m	1443, 4480lx		246.58cm
2m	360.9, 1120lx		493.16cm
3m	160.4, 497.8lx		739.74cm
4m	90.22, 280.0lx		986.32cm
5m	57.74, 179.2lx		1232.90cm
6m	40.10, 124.5lx		1479.49cm
7m	29.46, 91.4lx		1726.07cm
8m	22.55, 70.0lx		1972.65cm
9m	17.82, 55.3lx		2219.23cm
10m	14.43, 44.8lx		2465.81cm

Installation

Applications:

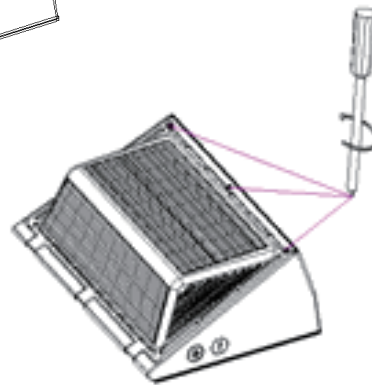
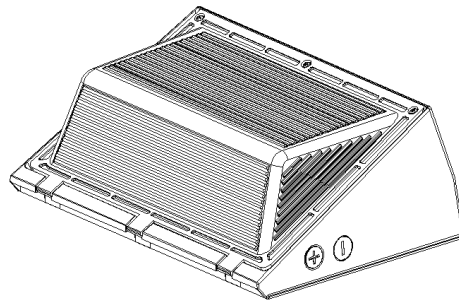
Tunnel (except for motor vehicle tunnel), workshop, warehouse, factory, house, building exterior, etc.

Cautions:

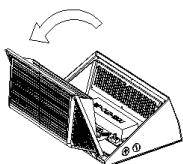
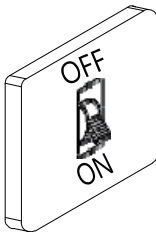
1. Do not use an electric generator to test the LED fixtures.
2. Please abide by related country, region and local law and regulations when install this fixture.
3. Please don't install the fixture when raining to lower the risk of electric shock and avoid failure.

Notes:

1. To avoid possibility of electrical shock or fire, the installation personnel must have professional electric knowledge.
2. Please wear gloves to avoid injury before installation.
3. If any smoke or spark of the wire happened, please turn off the power immediately and notify relevant personnel.
4. This fixture is available in out do or usage, but the distance from fixture to ground should be more than 2m.

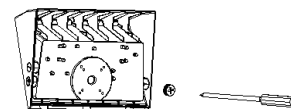


Installation I:



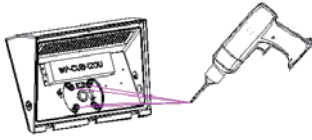
3. Open the fixture, disconnect the connection terminals and remove the upper cover from the fixture.

2. Use a screw driver to remove the screws on both sides.

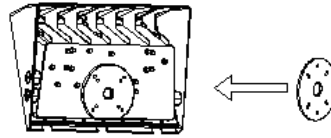


4. Use a screwdriver to remove the plug.

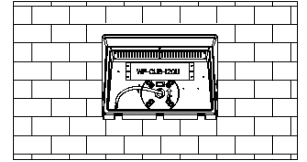
Installation



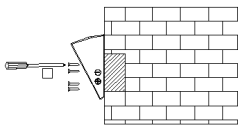
5. Drill through the mounting hole with an electric drill



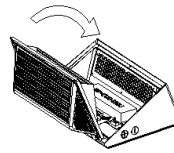
6. Attach EVA cotton pad to bottom shell.



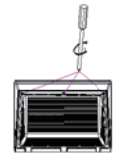
7. Thread the wire through the bottom hole.



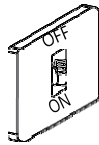
8. Lock the bottom shell on the mounting seat with screws.



9. L, N and G wires connected to the power supply



10. Install the cover of the fixture and connect the terminal block.



11. Make sure the installation is complete before turning on the power switch

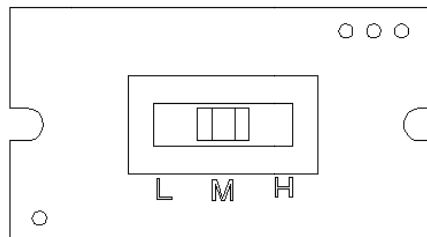
Standard wire:

L/live wire: Black\Brown; N/null wire: White\Blue; Ground wire: Green\Yellow-green.

Warning: During grounding, make sure the earth wire of the driver and fixture housing are connected together with the earth wire of the local power supply.

Operate as following instructions if the product is designed with below functions

Special functions instruction:



Wattage adjustable switch

Turn the wattage adjustable switch to a certain wattage gear, the power of the lamp will change to the corresponding wattage. Adjustable wattage range 25%-100%.

Note: Please turn off the power before adjusting the wattage.

Notice For User

- Please turn off power before install or change assembly parts.
- The input voltage and lamps should be matched, after connecting the power line, Please make sure the wiring section is insulated.
- No-professionals, must not install and disassemble the lamps.

Trouble Shooting

Trouble	Check Points
Flickering of the light	Turn off the power and turn on again in 3 minutes. If same phenomena occur, then call agencies.
Out of working	Please check the connection.

Packaging

	Size (Inches)	Qty / Carton	Net Weight / Carton	Gross Weight / Carton
Inner	10.12 x 5.51 x 13.78	1Pc	4.85 LBS	5.5 LBS
Outer Box	12 x 11 x 15	2Pc	9.70 LBS	13.00 LBS

Warranty

5 Year warranty

Application Picture

