



Nothing But LED's Mini Wall Pack is a traditional style wall pack that is energy-efficient and reliable, due to its compact housing and long lifespan. Our mini wall pack luminaires offers classical elegance with an aluminium housing and an excellent optic design for uniform light distribution. The wall pack luminaires are ideal for outdoor applications such as personnel doors, loading areas, hotel lobbies, driveways, and parking areas.

## Product Features

- Up to 135 lumens per watt
- Enclosure provides a water-tight seal making it suitable for outdoor application
- Built-in photocell
- Integral LED driver, eliminates the need for an external driver or ballast
- Complies with UL safety regulations and is DLC5.1 listed
- High Quality and Efficacy Lumiled 2835 chips
- This product is IP65 rated, therefore, it is waterproof, sealed and gasketed wire
- Universal operation at 120-277Vac 50-60Hz
- Environment friendly with no mercury
- Easy to install and operate, with instant and no humming
- Energy saving, long lifespan with 50,000 hour life rating

# LED WALL PACK

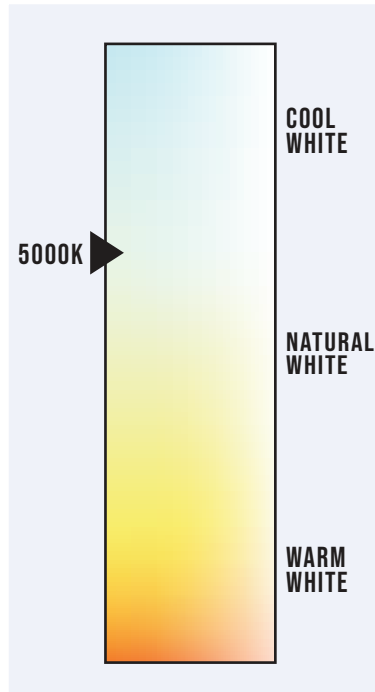


SKU #	Model #	Watt	Lumens	CCT	IP	Housing	Input Voltage	Dimming	Certifications
1550604	BLT-MWP03C-20D	20W	2745Lm	5000K	IP65	Bronze	120V-277V	0-10V	UL & DLC

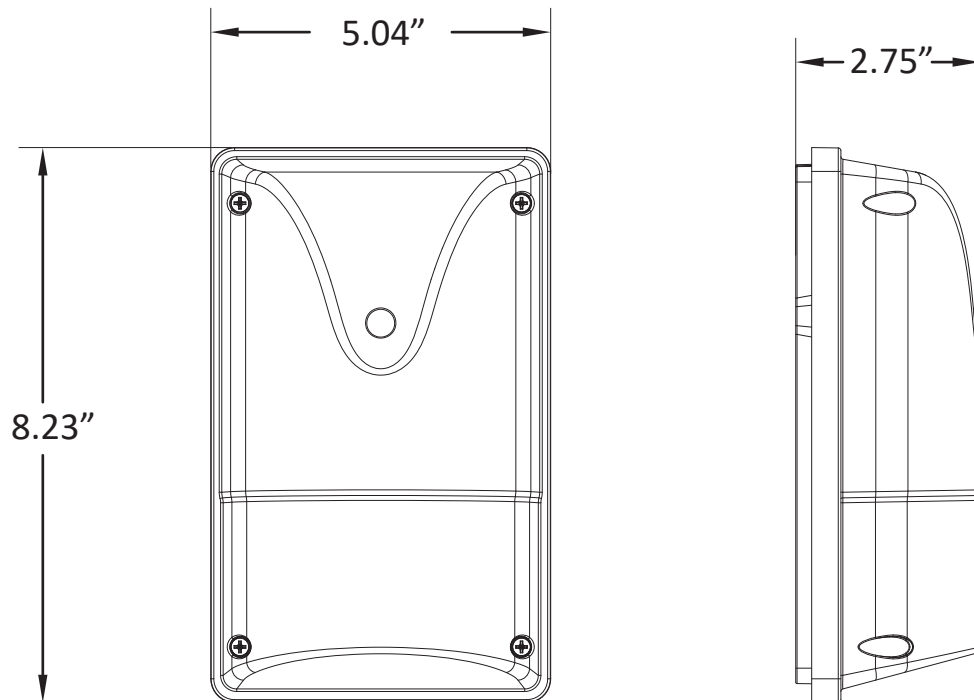
## SKU # 1550604 Specifications

Parameter	Description	Value
General Performance	Wattage	20W
	Color Temperature Adj.	5000K
	Lumens Adjustable	Up to 2745Lm
	Lumen Efficacy	Up to 135 LM/W
	CRI (Ra)	>80
	Distribution Pattern	Matte Lens
Electrical	Beam Angle	100° Degree
	Input Voltage	120-277V
	Frequency	50/60Hz
	Dimming	0-10V Dimming
	PF	≥0.9
	THD	≤20%
	Flicker Percent	<70%
	Driver Brand	HBE
	Driver Model	HB-FL19F025
Driver Surge Protection	L/N-PE: 2.5kV, L-N: 2.5kV	
Physical	Operating Temperature	-40°C TO 50°C / With EM : 0°C TO 50°C
	Storage Temperature	-40°C TO 80°C
	Operating Humidity	20% - 90% RH
	Storage Humidity	10% - 95% RH
	LED Brand	Lumileds
	LED Type	SMD2835
	LEDs QTY	40 PCS
	Housing	Die-cast Aluminum
Qualification	Housing Color	Bronze
	IP Rating	WET (IP65)

## Correlated Color Temperature (CCT)



## DIMENSIONS



## Light Distribution Testing Parameters

### Luminaire Data

Voltage: 120.0 V  
Current: 0.163 A  
Watt: 19.45 W  
Power Factor: 0.994

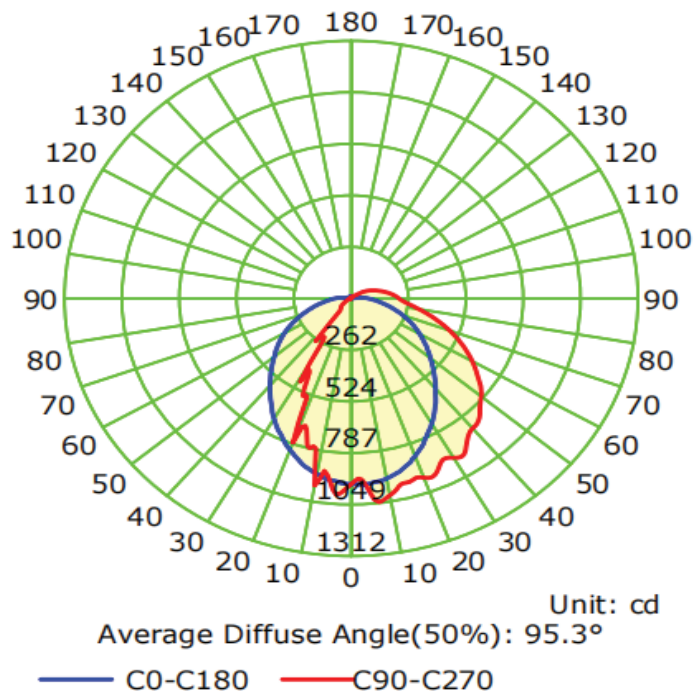
### Photometric Results

## Photometric Results

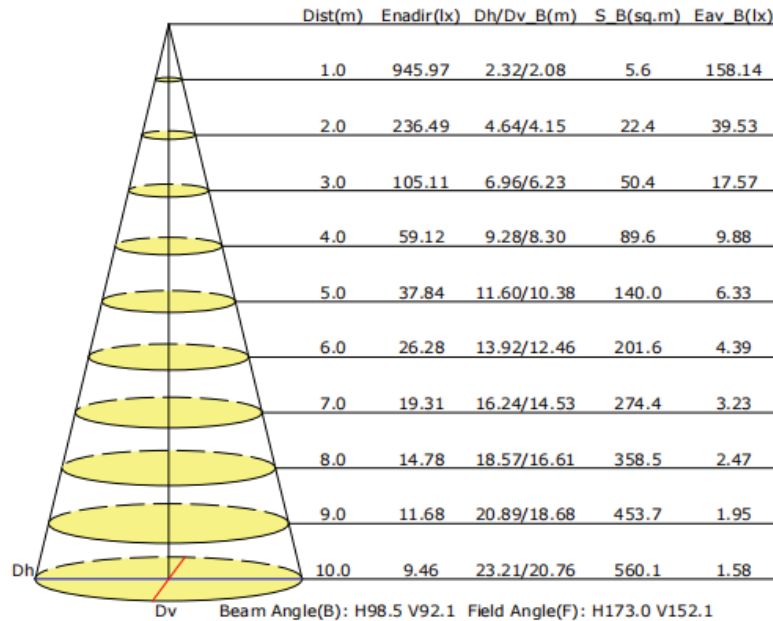
IES Classification: Type III  
Total Rated Lamp Lumens: 2614.2Lm  
Efficiency: 100%  
Upward Ratio: 9%  
C0r0 Intensity: 945.97 cd  
Pos of Max. Intensity: H67.5 V8

Longitudinal Classification: Very Short  
Measurement Flux: 2614.2Lm  
Downward Ratio: 91%  
Luminaire Efficacy Rating (LER): 134.46  
Max. Intensity: 1049.92 cd

Luminous Intensity Distribution Curve



## Illuminance at a Distance



## Installation Instructions

### CAUTION

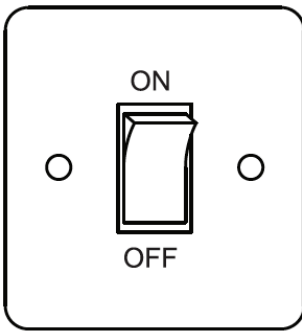
1. Can not use the electric generator to test the LED lamp.
2. Please abide by related country, regional and local law and regulations when install this fixture.
3. Please don't install the fixture when raining to lower the risk of electric shock and avoid the failure.

### Notes for User

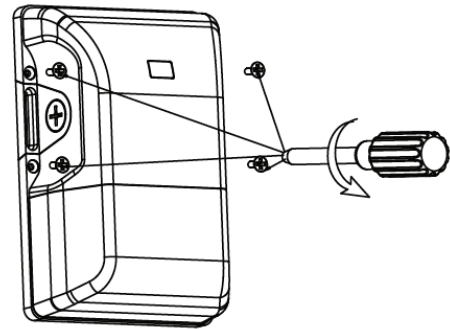
1. To avoid possibility of electrical shock or fire, the installation personnel must have professional electric knowledge.
  2. Please wear gloves to avoid injury before installation.
  3. If any smoke or spark of the wire happened, please turn off the power immediately and notify relevant personnel.
- Please turn off power before install or change assembly parts.
  - The input voltage and lamps should be matched, after connecting the power line, Please make sure the wiring section is insulated.
  - No-professionals, must not install and disassemble the lamps.

## Installation Instructions

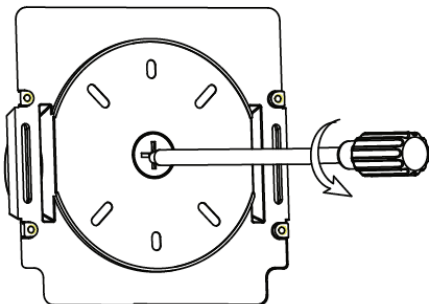
1. Turn off the power



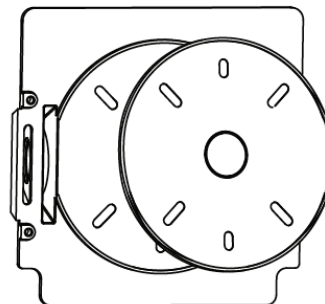
2. Loosen the 4 screws



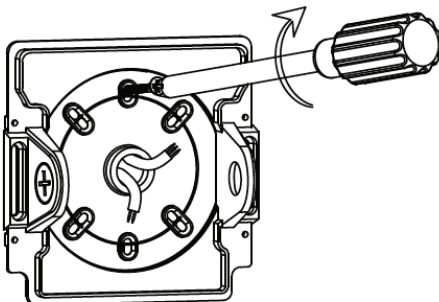
3. Remove the 1/2 end cap



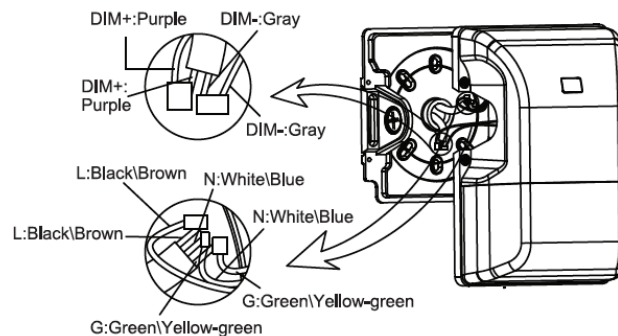
4. Peel off the yellow sticker and paste it on the round area of the bottom plate



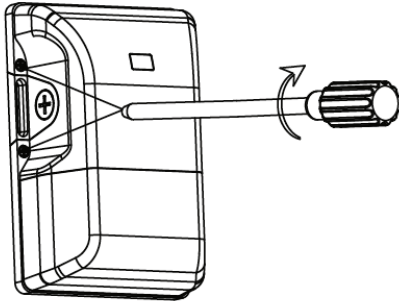
5. Fix the bottom plate on the round plate



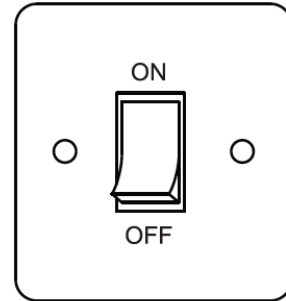
6. Make wiring connection and make sure the good protection



7. Fix the fixture by 4 screws

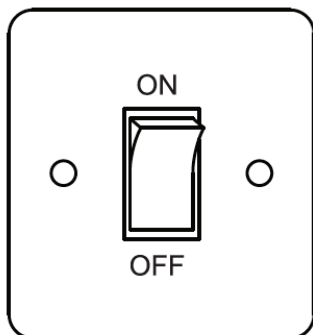


8. Make sure good wiring and screws fastening, then turn on the power

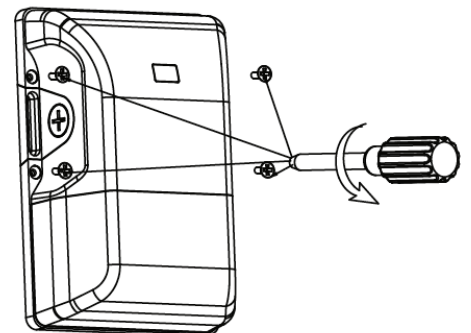


## Installation Method – 2

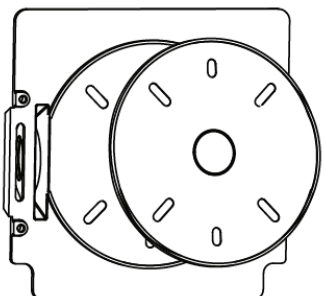
1. Turn off the power



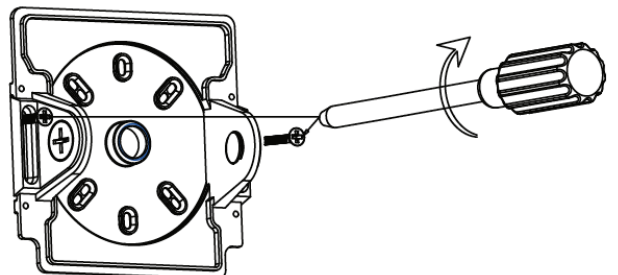
2. Loosen the 4 screws



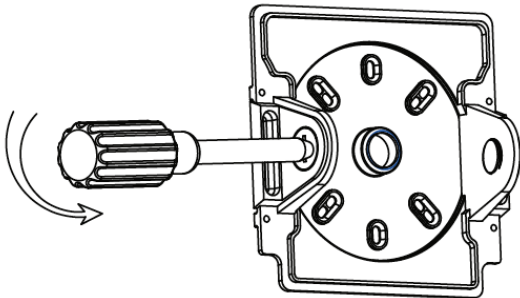
3. Paste the black sponge pad on the bottom plate



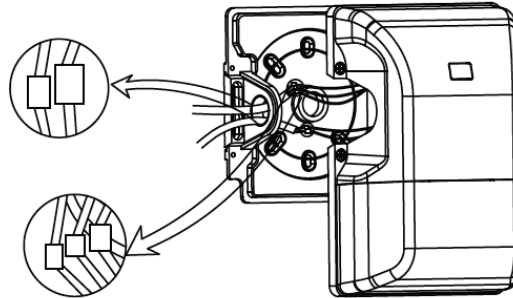
4. Screw the bottom plate on the wall



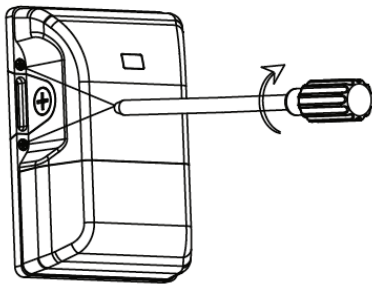
5. Remove one of the 1/2 end cap and get through wire



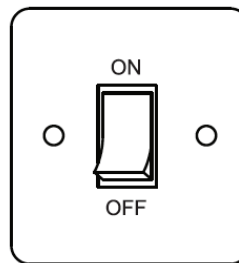
6. Make wiring connection and make sure the good protection



7. Return on the fixture to the bottom plate and tighten it with screws



8. Turn on the power after make sure good wiring and insulation



## Trouble Shooting

Troubles

Check points

Flickering of the light

Turn off the power and turn on again in 3 minutes.  
If same phenomena occur, then call agencies.

Out of working

Please check the connection.



## Package

Box Type	Carton Size	Qty / Carton	Net Weight / Carton	Gross Weight / Carton
Inner Box	5.31 x 3.26 x 8.62	1	1.54LBS	1.69LBS
Outer Box	16.41 x 11.22 x 9.41	10	15.14LBS	19.84LBS

### NOTICE FOR USER

- Please turn off power before install or change assembly parts.
- The input voltage and lamps should be matched, after connecting the power line, Please make sure the wiring section is insulated.
- No-professionals, must not install and disassemble the lamps.

Troubles	Check points
Flickering of the light	Turn off the power and turn on again in 3 minutes. If same phenomena occur, then call agencies.
Out of working	Please check the connection.

## Application

Entrance, industrial lighting, outdoor landscape and courtyard lighting, wall lighting, building, hotel, and building exterior.



## Safety Precautions

To reduce the risk of death, personal injury or property damage from fire, electric shock, falling parts, cuts/abrasions, and other hazards read all warnings and instructions included with and on the fixture box and all fixture labels.

Before installing, servicing, or performing routine maintenance upon this equipment, follow these general precautions.

Commercial installation, service and maintenance of luminaires should be performed by a qualified licensed electrician.

For the installation: If you are unsure about the installation or maintenance of the luminaires, consult a qualified licensed electrician and check your local electrical code.

To prevent wiring damage or abrasion, do not expose wiring to edges of sheet metal or other sharp objects.

Do not make or alter any open holes in an enclosure of wiring or electrical components during kit installation.

### **WARNING: RISK OF FIRE OR ELECTRICAL SHOCK**

Turn off electrical power at fuse or circuit breaker box before wiring fixture to the power supply.

Turn off the power when you perform any maintenance.

Verify that supply voltage is correct by comparing it with the luminaire label information.

Make all electrical and grounded connections in accordance with the National Electrical Code and any applicable local code requirements. All wiring connections should be capped with UL approved wire connectors.

### **CAUTION: RISK OF INJURY**

Avoid direct eye exposure to the light source while it is on.

Account for small parts and destroy packing material, as these may be hazardous to children.

## Warranty

5 Years Warranty