



Nothing But LED's Strip Fixture the perfect option for architectural applications with size restrictions. The new integrating module to lens design makes it simpler and faster to install in commercial, industrial, retail, and residential applications. Our strip fixture can serve as the illumination solution. Fixture can be utilized for general area lighting in coves, shops, show cases and storage/utility areas.

Product Features

- Up to 130 lumens per watt
- Input Voltage 120-277V
- Beam Angle 120°
- Ambient temperatures rated for -20°C to 50°C when fixture is suspended at least 18" from ceiling
- 0-10V Dimmable
- Surface mounting bracket for easy installation.
- IP20 rated
- UL Listed
- 5 Years warranty

LED STRIP FIXTURES



SKU #	Model #	Watt	Lumens	CCT	Housing	Length	Input Voltage	Dimming	Certifications
1550602	BLT-SN-V-4FT/FH/45/ YDM 850 (A3+B7)	45W	5850Lm	5000K	White	4ft	120V-277V	0-10V	UL & DLC
1550603	BLT-SN-V-8FT/FE/46/ /YDM 850 (A3+B7)	46W	5980Lm	5000K	White	8ft	120V-277V	0-10V	UL & DLC

SKU # 1550602 Specifications

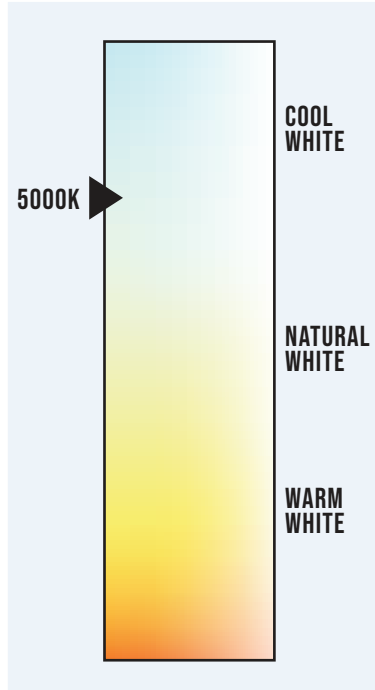
Parameter	Description	Value
General Performance	Wattage	45W
	Color Temperature	5000K
	Lumens	Up to 5850LM
	Lumen Efficacy	Up to 130LM/W
	CRI (Ra)	<80
	Beam Angle	120° Degree
Electrical	Input Voltage	120-277V
	Frequency	50/60Hz
	Dimming	0-10V Dimmable
	PF	0.9
	THD	9.47%
	Flicker Percent	10%
	Driver Brand	Nothing But LED's
	Driver Model	SIE 46-I1000-42 120-277 W D1 B
Physical	Operating Temperature	-20°C to 50°C
	Storage Temperature	-20°C to 80°C
	Storage Humidity	10% - 95% RH
	LED Brand	Bridgelux
	LED Type	2835
	LEDs QTY	112 Pcs
	Housing	Steel
	Housing Color	White
Qualification	IP Rating	IP20
	Warranty	5 Years

SKU # 1550603

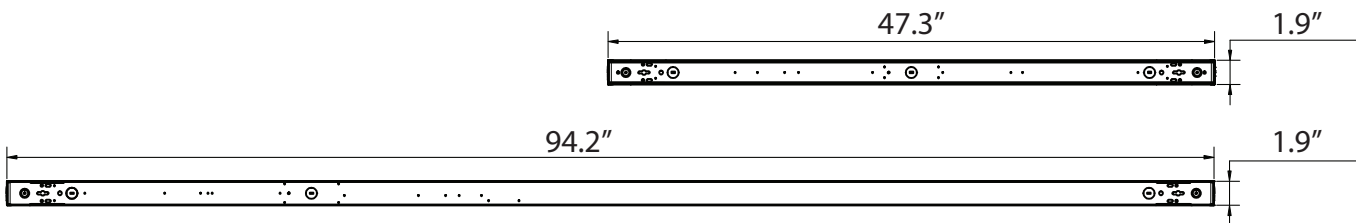
Specifications

Parameter	Description	Value
General Performance	Wattage	46W
	Color Temperature	5000K
	Lumens	Up to 5980LM
	Lumen Efficacy	Up to 130LM/W
	CRI (Ra)	<80
	Beam Angle	120° Degree
Electrical	Input Voltage	120-277V
	Frequency	50/60Hz
	Dimming	0-10V Dimmable
	PF	0.9
	THD	9.47%
	Flicker Percent	10%
	Driver Brand	Nothing But LED's
	Driver Model	SIE 46-I1000-42 120-277 W D1 B
Physical	Operating Temperature	-20°C to 50°C
	Storage Temperature	-20°C to 80°C
	Storage Humidity	10% - 95% RH
	LED Brand	Bridgelux
	LED Type	2835
	LEDs QTY	140 Pcs
	Housing	Steel
	Housing Color	White
Qualification	IP Rating	IP20
	Warranty	5 Years

Correlated Color Temperature (CCT)



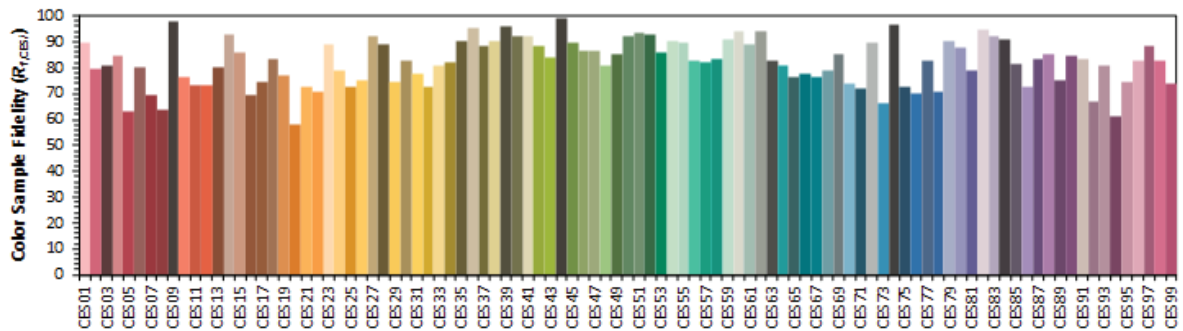
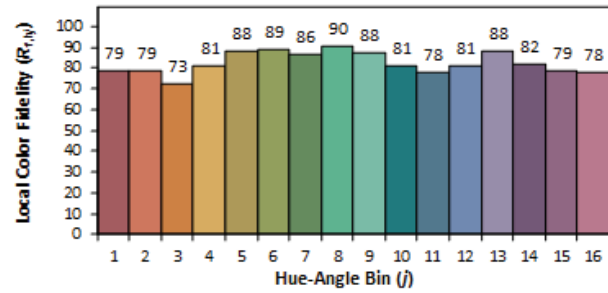
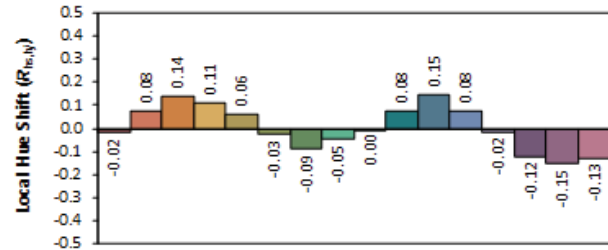
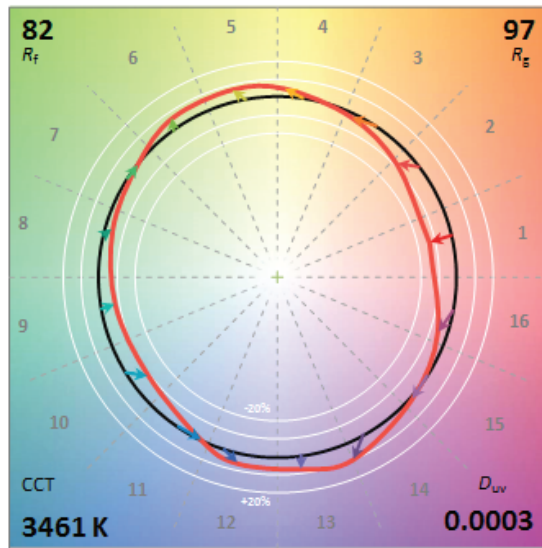
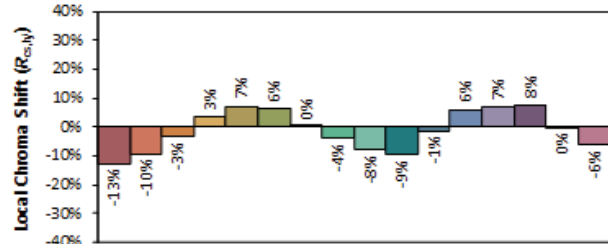
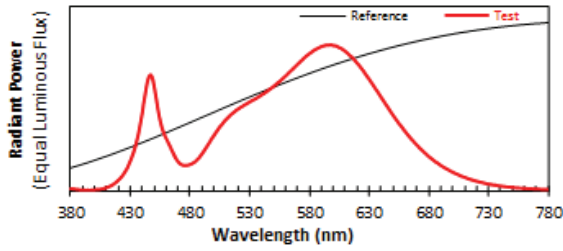
Dimensions



ANSI/IES TM-30-18 Color Rendition Report

Source: User SPD
Date: 2022/6/17

Manufacturer: Nothing But LED's
Model: BTL5N-V-4FT/FH/45/YDM 835 (A3B+B7)



Notes: This is a recommended method for displaying ANSI/IES TM-30-18 information.

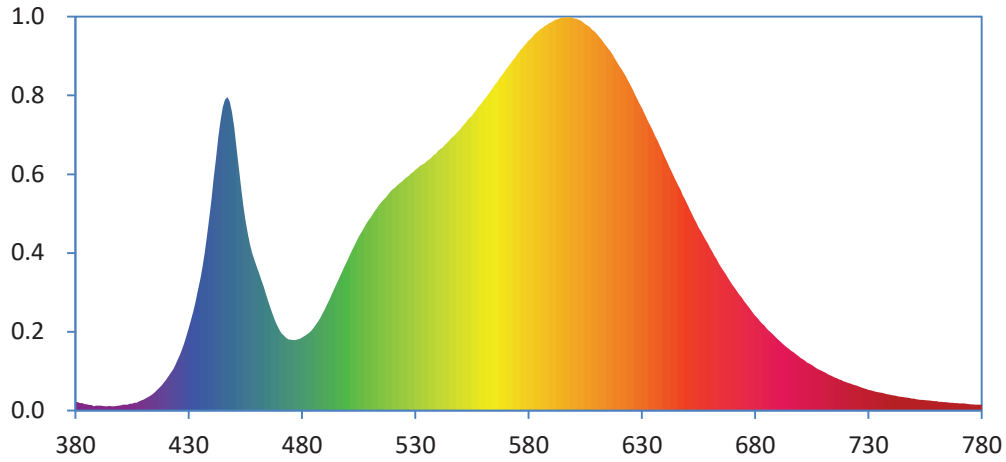
x 0.4078
 y 0.3925
 u' 0.2366
 v' 0.5124

CIE 13.3-1995 (CRI)	
R_a	80
R_g	-1

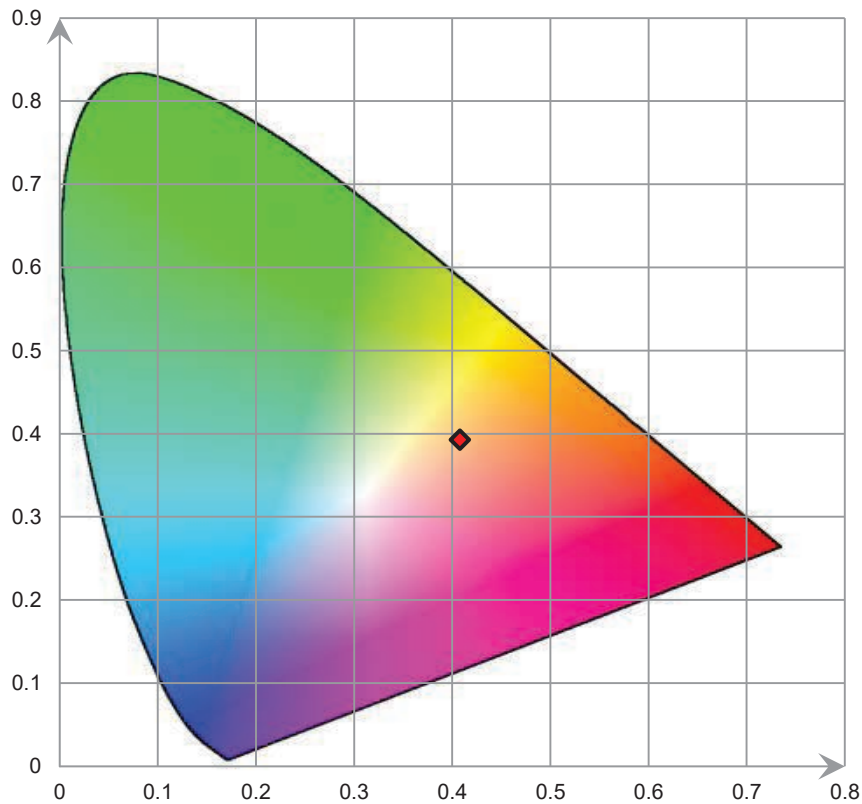
Colors are for visual orientation purposes only. Created with the ANSI/IES TM-30-18 Calculator Version 2.00.

Power Distribution

Relative Spectral Power Distribution



CIE 1931 x y Chromaticity Diagram



Photometric Data

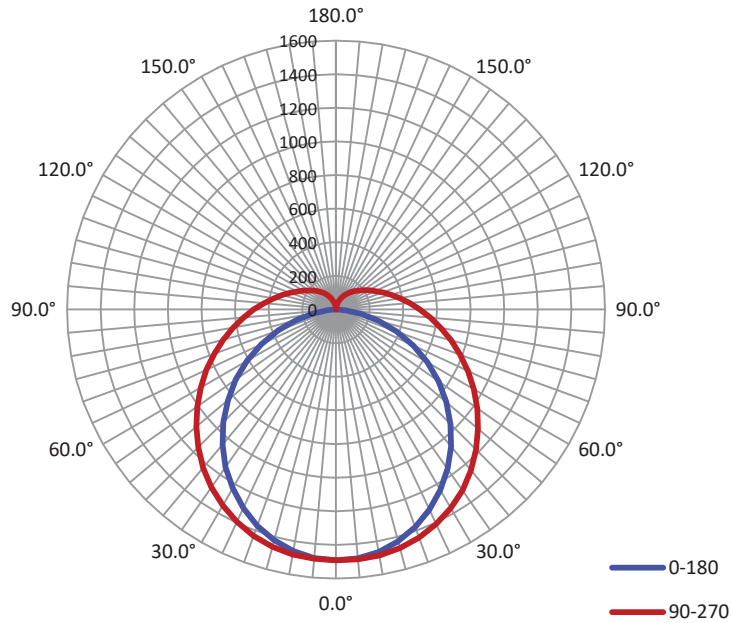
Electrical Measurement

Input Voltage (V)	Frequency (Hz)	Input Current (A)	Power (W)	Power Factor
120.0	60	0.396	47.3	0.996

Photometric Measurement

Luminous Flux (lm)	Efficacy (lm/W)	I _{max} (cd)	S/MH (C0/180)	S/MH (C90/270)
6005.4	127.01	1493.0	1.23	1.35

Luminous Intensity Distribution



	C0/180	C45/225	C90/270	C135/315	AVG.
Beam Angle (50% I _{max}):	109.1	125.7	144.2	124.7	125.9
Field Angle (10% I _{max}):	159.6	234.0	272.4	229.1	223.8

Installation Instruction

WARNING

- To reduce the risk of death, personal injury or property damage from fire, electric shock, falling parts, cuts/abrasions, and other hazards read all warnings and instructions included with and on the fixture box and all fixture labels.
- Before installing, servicing, or performing routine maintenance upon this equipment, follow these general precautions.
- Commercial installation, service and maintenance of luminaires should be performed by a qualified licensed electrician.
- For the installation: If you are unsure about the installation or maintenance of the luminaires, consult a qualified licensed electrician and check your local electrical code.
- To prevent wiring damage or abrasion, do not expose wiring to edges of sheet metal or other sharp objects.
- Do not make or alter any open holes in an enclosure of wiring or electrical components during kit installation.

WARNING

- Turn off electrical power at fuse or circuit breaker box before wiring fixture to the power supply.
- Turn off the power when you perform any maintenance.
- Verify that supply voltage is correct by comparing it with the luminaire label information.
- All wiring connections should be capped with UL approved wire connectors.

CAUTION

- Avoid direct eye exposure to the light source while it is on.
- Account for small parts and destroy packing material, as these may be hazardous to children.
- Risk of burn. Disconnect power and allow fixture to cool before changing bulb or handing fixture

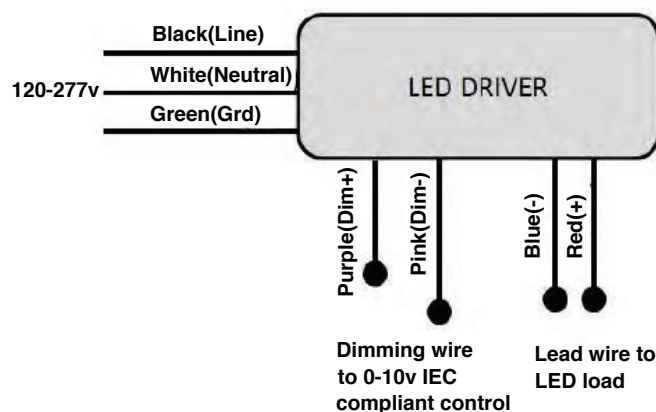
NOTICE: Green ground screw provided in proper location. Do not relocate.

NOTICE: Minimum 90° supply conductors

NOTICE: Specifications and dimensions subject to change without notice.

NOTICE: Suitable for Dry or Damp location

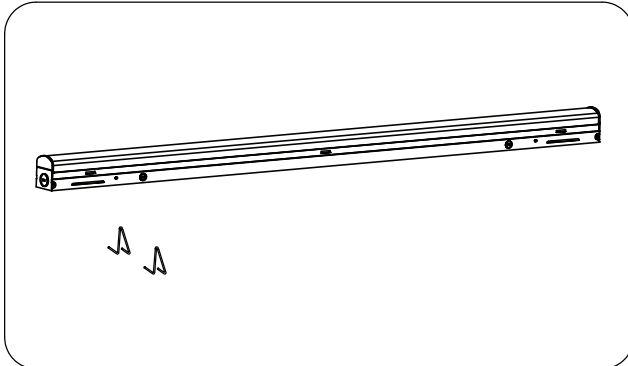
General Wiring Diagram



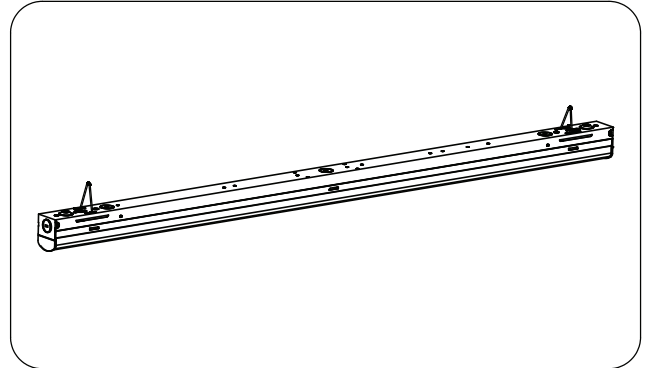
Installation Instruction

A:Chain Suspended Mounting

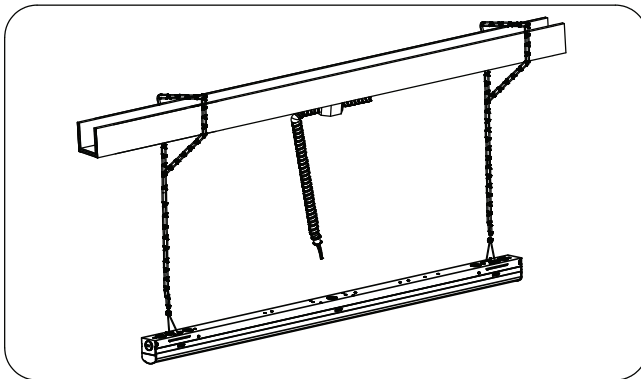
1. Take out the light fixture and accessories package from the box.



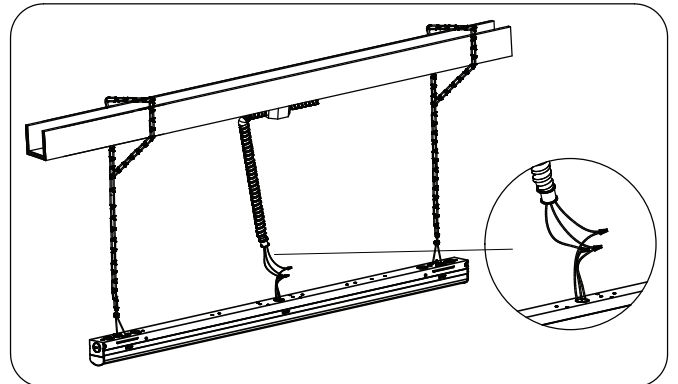
2. Connect the V-hook to the lamp.



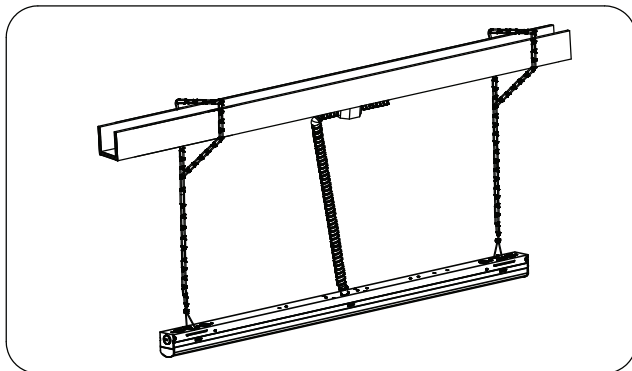
3. Attach chain to the V-hooks.



4. Connect the AC wires.



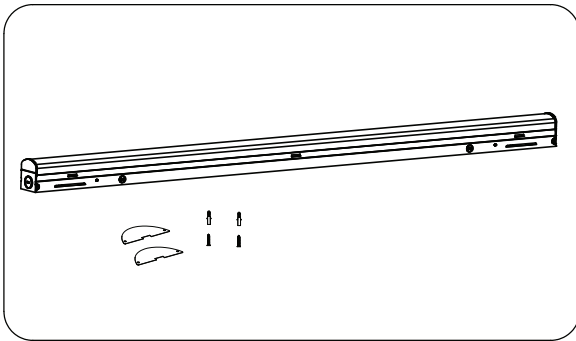
5. The installation is completed.



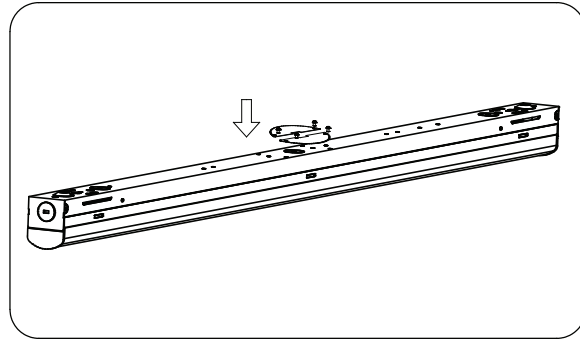
Installation Instruction

Surface Mounting

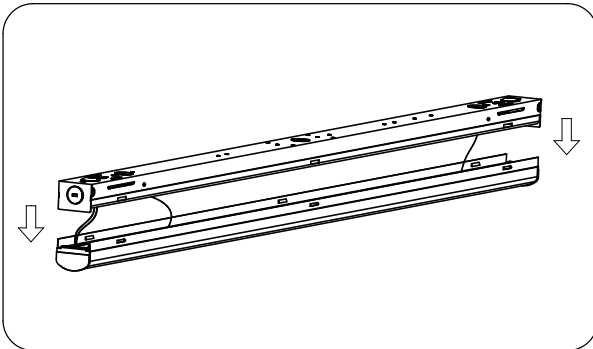
1. Take out the light fixture and accessories package from the box.



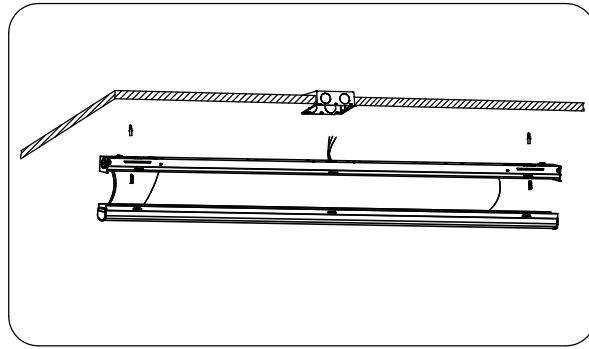
2. Fix the baffle on the lamp.



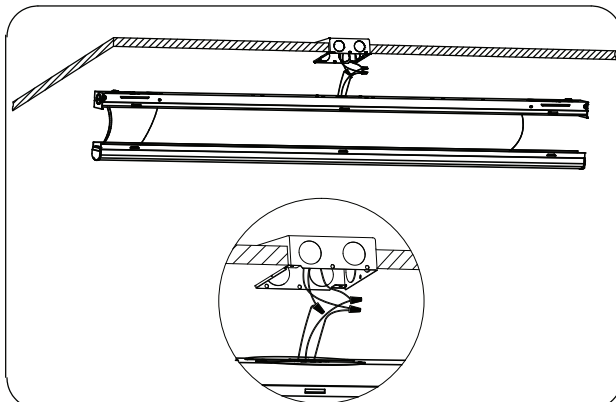
3. Open the module board down.



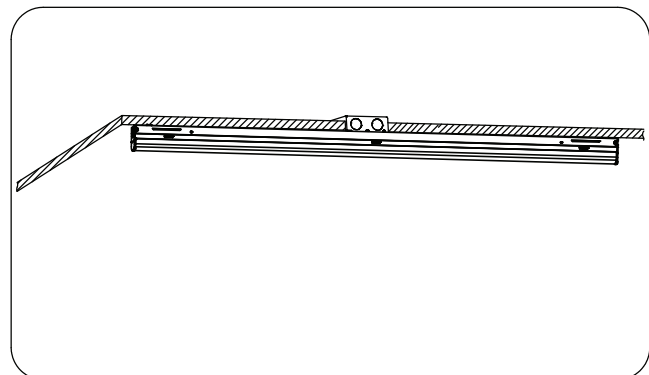
4. Fix the lamp to the ceiling with the plastic sleeve and screws provided.



5. Wire to main power through the junction box.



6. Assemble the module board upwards. The installation is completed.



Packaging

SKU #.	Carton Size	Qty / Carton	Net Weight	Gross Weight
1550602	48.34x6.81x8.4	9 Pcs		
1550603	94.80x4.37x5.27	4 Pcs		

Warranty

5 Years Warranty

Application Picture

